

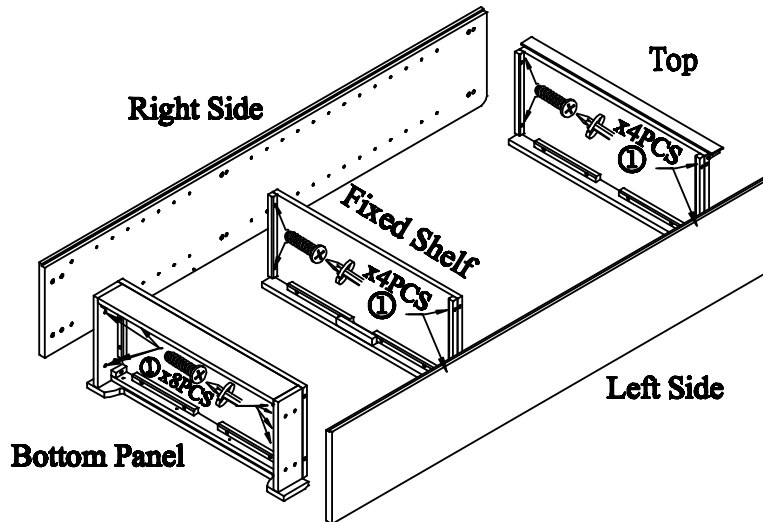


1		16PCS 1/4"x1-1/4" Machine Bolts
2		28PCS #6x7/8" Sharp end screws

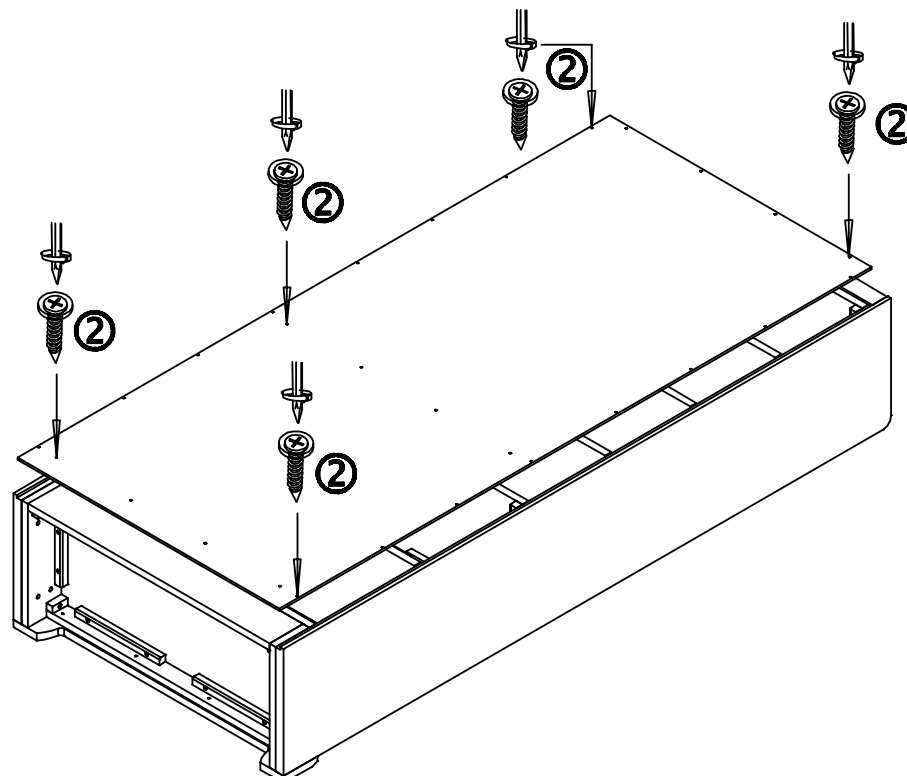
**Step1:**




Place the bottom, fixed shelf and top panels front facing down on a non abrasive surface. Insert ①(4PCS) through the bottom panel to connect right side panel. Then insert ①(2PCS) through the fixed shelf to connect the right side panel and ①(2PCS) to connect the top and the right side panel. do the same procedure to the left side panel.



**Step2:**

Place the back panel over the bookcase. with finish facing down. once the back panel is aligned insert (2) (28 PCS) through the predrilled holes to connect the bookcase.



3		16PCS Shelf Clips	4		16PCS 3/4" Sharp end screws
5		12PCS 3mmx5/8" Sharp end screws			

**Step 3.**

Locate the desired position of the shelves, insert shelf clips in corresponding holes. Place wood shelves on shelf clips and fasten with 3/4" sharp end screws using a phillips head screwdriver.

**Step 4.**

Attach the 2 hinges (3 holes on each hinge, 6 holes total) from the door to the side panel by using 2 3mmx5/8" sharp end screws, insert and tighten through hole A. Then insert and tighten 4 3mmx5/8" sharp end screws through holes B.

Caution:For safety purpose please install the tip restraint kit.

