





PARTS LIST

| | | | |
|---|-------------------------------------|---|--|
|  | 6 PCS Machine Bolts(1-1/4") |  | 5 PCS (1-1/4") Flat Head Wood Screw |
|  | 4 PCS Wood Dowels (ø8x25mm) |  | 10 PCS (3/4") Flat Head Wood Screws |

PARTS LIST

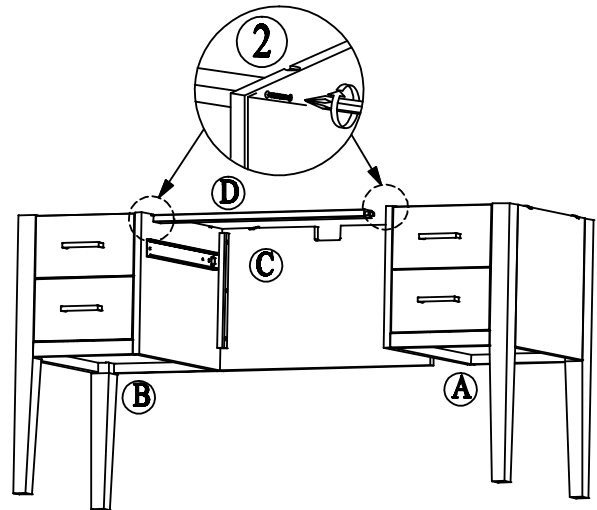
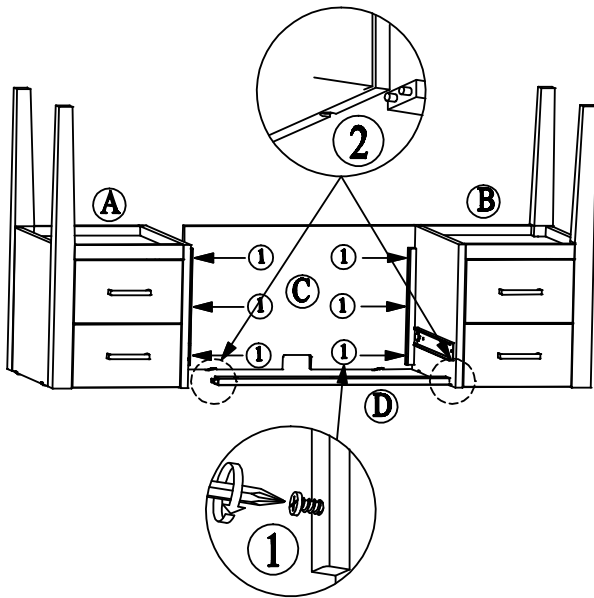
| PACKAGE NO. | PART NO. | DESCRIPTION | QTY | PART NO. | DESCRIPTION | QTY |
|-------------|----------|-------------|------|----------|--------------------------|------|
| GK154F | A | PEDESTAL | 1 PC | D | CROSS BAR | 1 PC |
| GKC154F | B | PEDESTAL | 1 PC | E | DESK TOP | 1 PC |
| GKX154F | C | BACKPANEL | 1 PC | F | DROP FRONT CENTER DRAWER | 1 PC |

Notes: Need two people to assemble.

Instructions:

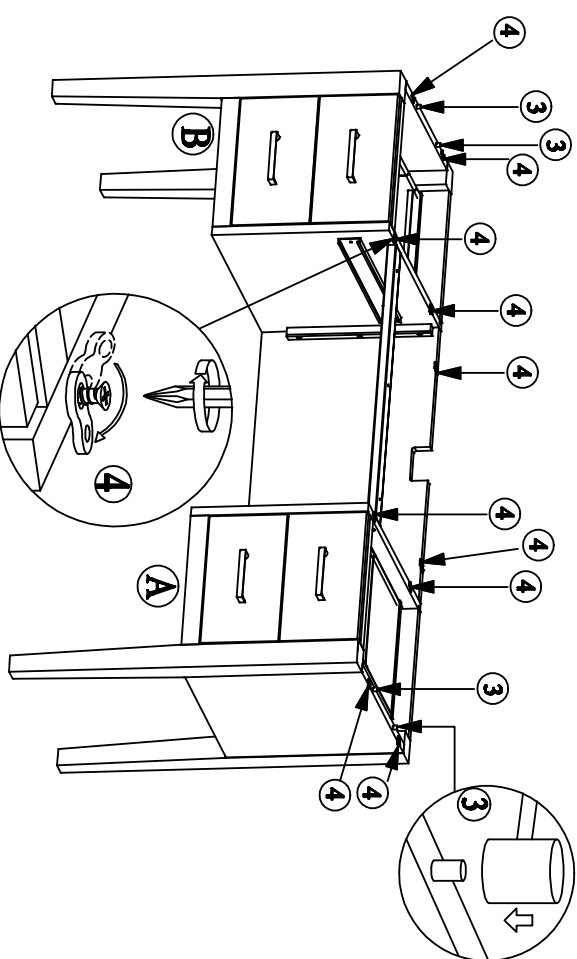
Turn the pedestals **A** and **B** upside down.

- ① Move the pedestal **A** and pedestal **B** to the desired location , use **1-1/4" machine bolts (6 PCS)** to connect backpanel **C** to the pedestals **A** and **B** .
- ② Connect center Cross Bar **D** to the pedestals **A** and **B** , carefully turn the desk straight up and tighten Cross Bar with **1-1/4" flat head wood screw (2 PCS)**.

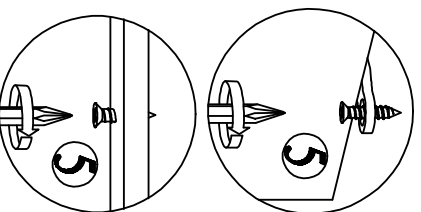
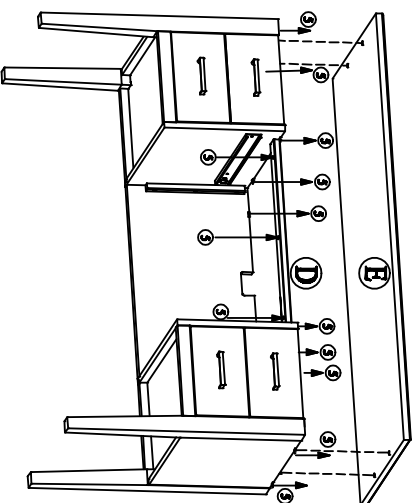


③ Insert two wood dowels (4 PCS) in each pedestal **A** and **B**.

④ Loosen the screw to adjust figure-8 from (10 PCS) of its direction of the panel.



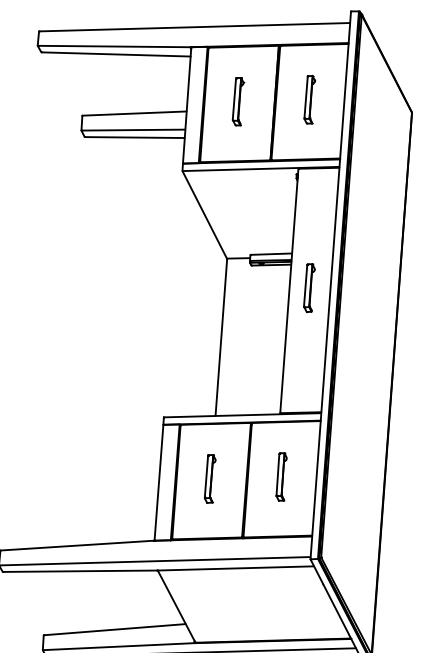
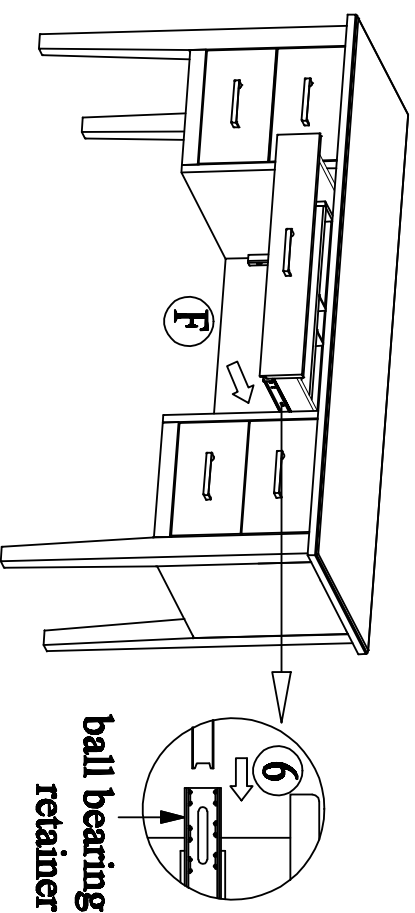
⑤ Insert 3/4" flat head wood screws (10 PCS) through figure-8 bracket to connect desk top **B** and pedestals **A** and **B**. Use 1-1/4" flat head wood screws (3 PCS) to connect **D** to desk top **E**.



⑥ Install the Drop Front center Drawer **F** to place.

Important:

(Be sure to move the ball bearing retainer all the way to the front of the glide and carefully slide the rails into the glides and ball bearing retainer.)



Assembly is now complete.