

WINNERS

ONLY INC.

ASSEMBLY INSTRUCTIONS

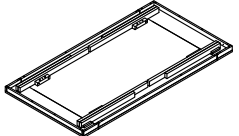
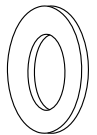
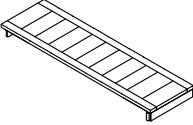

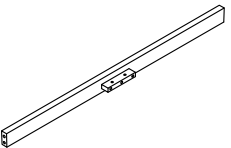
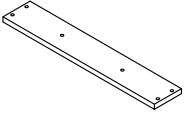
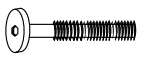
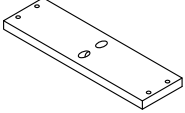

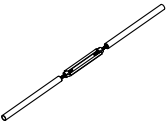
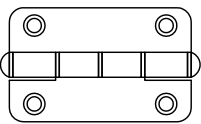
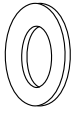

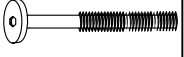
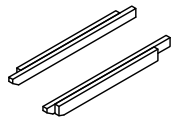

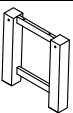
Reminders

1. Use only the hardware supplied.
2. Do not over-tighten bolts.
3. This item may require periodic tightening.

ITEM NO : DR142100T

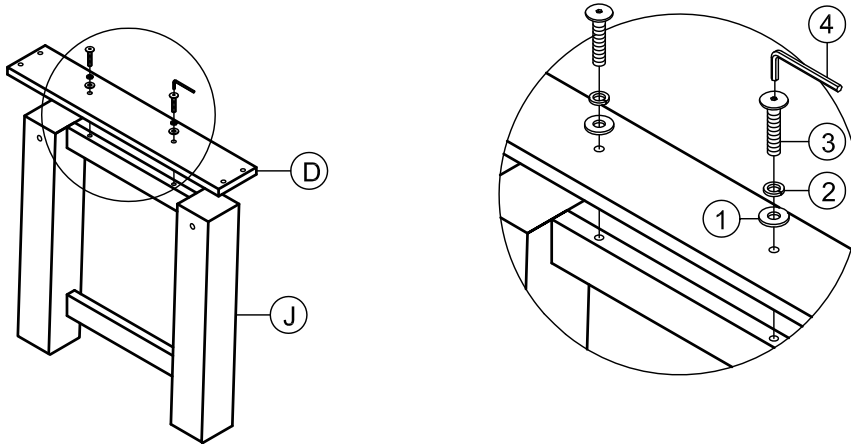
DR142100B

Hardware List :

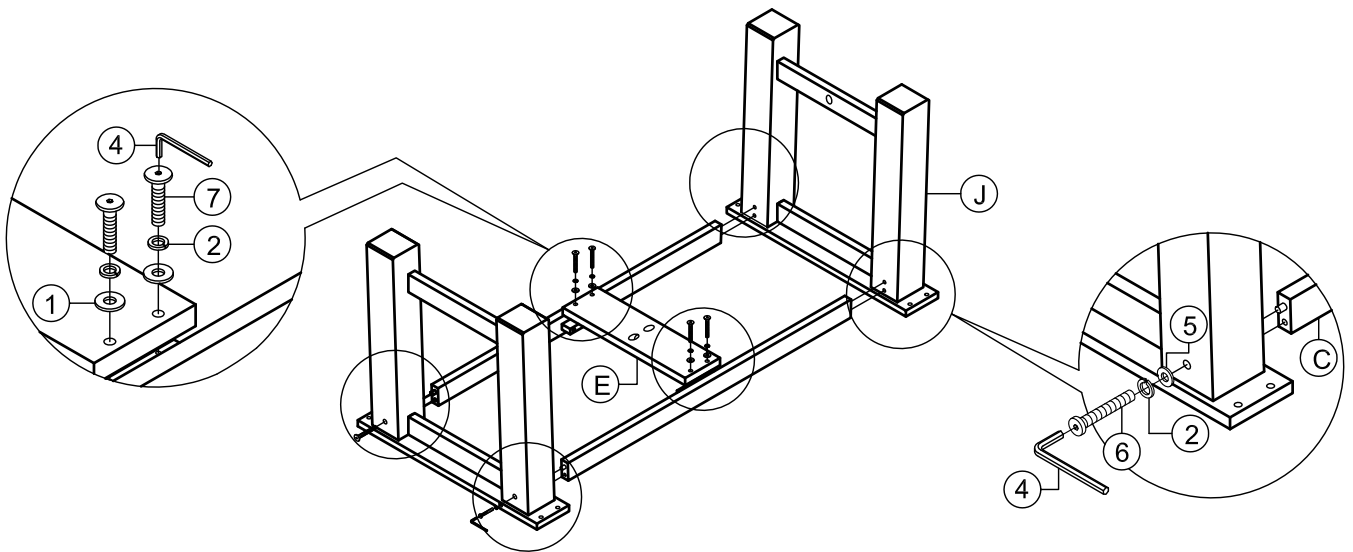
COMPONENTS LIST DR142100T				QTY	NO	DESCRIPTION	SIZE	FIGURE	QTY
A	Table Top		1PC	1	Flat Washer	Ø5/16"x 19mm		16pcs	
B	Table Leaf		2PCS	2	Spring Washer	Ø5/16"x 12mm		20pcs	
C	Bottom Rail		2PCS						
D	Mounting Plate		2PCS	3	Short Bolt	Ø5/16"x 57mm		12pcs	
E	Cross Bar		1PC	4	Allen Key	58x 23x 4mm		1pc	
F	Metal Pipe		2PCS						
G	Apron Hinge		8PCS	5	Small Washer	Ø5/16"x 14mm		4pcs	
H	Clamp Lock		8PCS	6	Long Bolt	Ø5/16"x 125mm		4pcs	
I	Glides (Left- Right)		4PCS						
COMPONENTS LIST DR142100B				7	Short Bolt	Ø1/4"x 45mm		4pcs	
J	Legs		2PCS						

WINNERS ONLY INC. ASSEMBLY INSTRUCTIONS

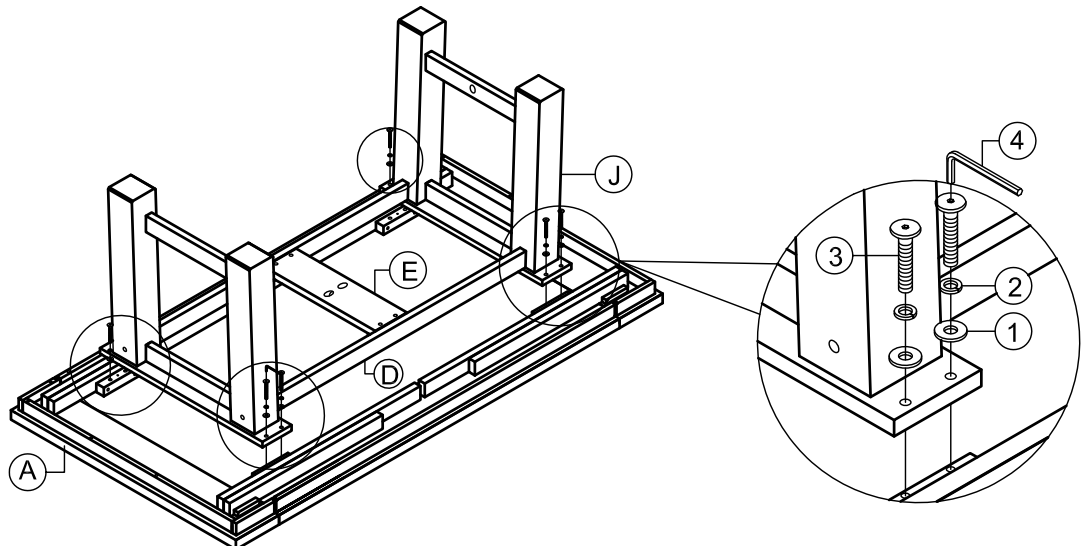
Step (1): Attach Table Leg (J) to the Mounting Plate (D), insert short bolts (3), spring washers (2), flat washers (1), tighten by using allen key (4). Do not fully tighten yet.



Step (2): Attach Table Leg (J) to the Bottom Rail (C), insert long bolts (6), spring washers (2), small washers (5), tighten by using allen key (4) and Cross Bar (E) to the Bottom Rail (C) insert short bolts (7), spring washers (2), flat washers (1), tighten by using allen key (4). Do not fully tighten yet.

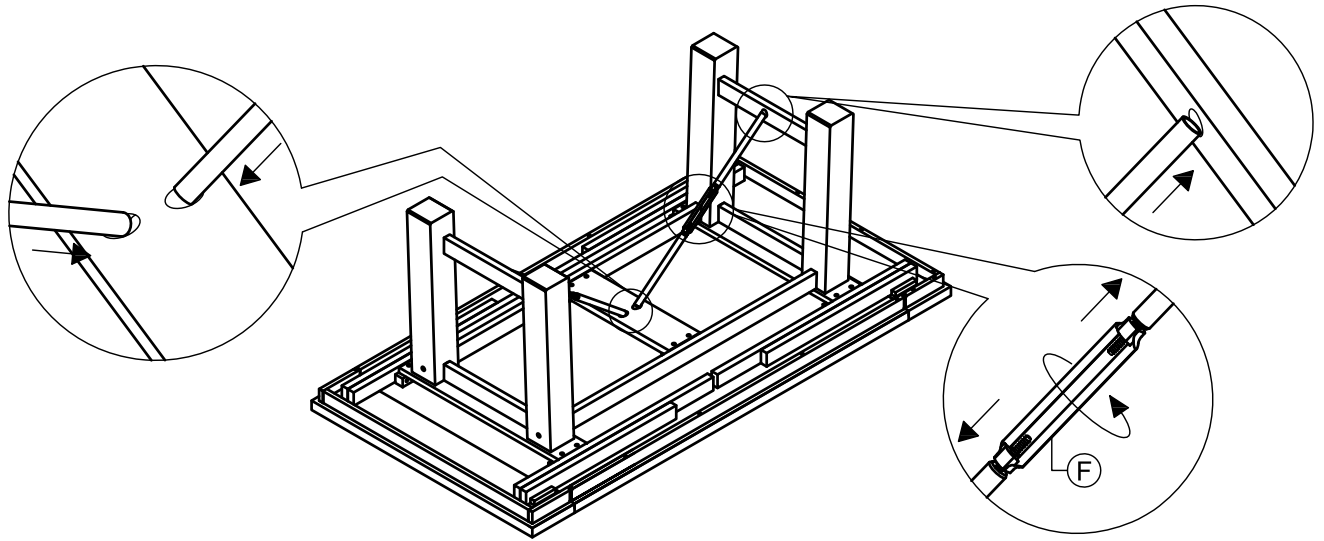


Step (3): Attach Table Leg (J) to the Table Top (A), insert short bolts (3), spring washers (2), flat washers (1), tighten by using allen key (4). Do not fully tighten yet.

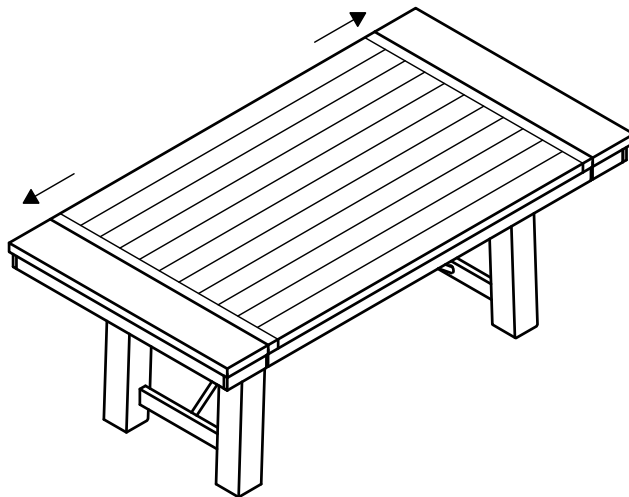


WINNERS ONLY INC. ASSEMBLY INSTRUCTIONS

Step (4): Attach Metal Pipe (F) to the Cross Bar (E) and Table Legs (J).



Step (5): Turn the table to the upright position. Unlock the latch underneath of the Table Top (A).



Step (6): Pull the table top from both ends. Place the Table Leaf (B) in position. Lock the latch underneath of the Table Top (A) to prevent from sliding. Assembly product is now completed.

