

WINNERS ONLY®

ASSEMBLY INSTRUCTIONS

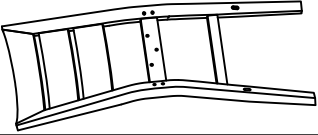
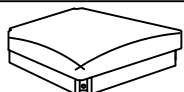





PROD. NO : DPT345024X / DPT345024G

Thank you for purchasing this quality product . Be sure to check all packaging material carefully for small parts that may have come loose inside the carton during shipment .



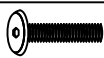





"Hardware is attached underneath the seat bottom"

This product will take 15-20 minutes to assemble

Components List :

NO	DESCRIPTION	SKETCH	QTY
A	Back Rest		1pc
B	Cushion Seat		1pc
C	Front Leg (Left)		1pc
D	Front Leg (Right)		1pc
E	Side Stretcher (Left)		1pc
F	Side Stretcher (Right)		1pc
G	Front Stretcher		1pc

Hardware List :

NO	DESCRIPTION	SIZE	SKETCH	QTY
1	Allen Key	58x23x4 mm		1pc
2	Wrench	12x75 mm		1pc
3	Short Bolt	1/4" x38 mm		3pcs
4	Long Bolt	1/4" x85 mm		4pcs
5	Hex-Nut	5/16"		4pcs
6	Spring Washer	5/16" x Ø12		11pcs
7	Flat Washer	5/16" x Ø19		11pcs
8	Wood Screw	Ø8 x 50 mm		6pcs

Screw driver is require for assembly (not included)

Reminders

1. Use only the hardware supplied.
2. Once the chair is finished, level and tighten all the bolts.
3. Do not over-tighten bolts.
4. This item may require periodic tightening.

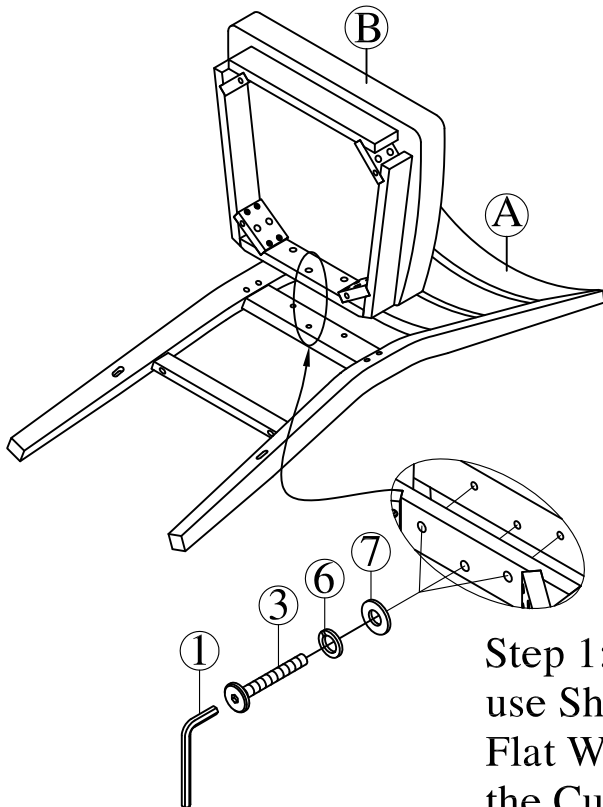
NOTE :

1. Hardware pack is located underneath the Wooden Seat (B).
2. Two or more people are needed for assembly. Please keep all hardware parts out of the reach of children.

WINNERS ONLY®

ASSEMBLY INSTRUCTIONS

PROD. NO : DPT345024X / DPT345024G



Grab hardware bag from underneath the Wooden Seat.
Do not fully tighten bolts until the Product is level
and the assembly of the product is completed.

Fig.1

Step 1: Lay the Backrest (A) on a flat soft surface, use Short Bolt (3), Spring Washer (6), Flat Washer (7) and Allen Key (1) to attached the Cushion Seat (B) to Backrest (A) as shown in Fig. 1.

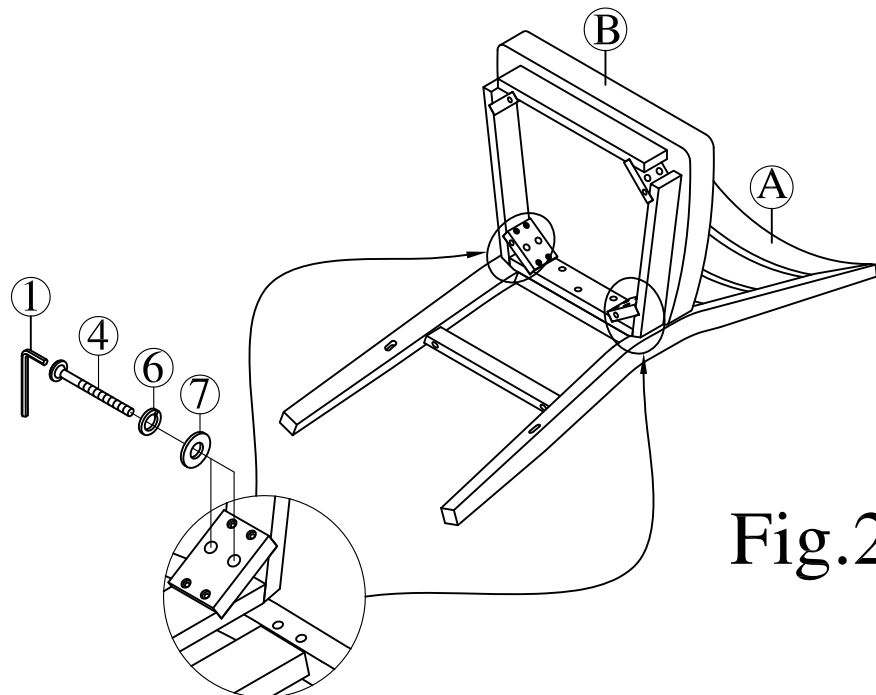


Fig.2

Note: move seat back and forward to ease the finding of the hole in the corner block.

Step 2 : Use Long Bolt (4), Spring Washer (6) Flat Washer (7) and Allen Key (1) to attached the Cushion Seat (B) to Chair Backrest (A) as shown in Fig. 2 .
Do not fully tighten bolts yet.

WINNERS ONLY®

ASSEMBLY INSTRUCTIONS

PROD. NO : DPT345024X / DPT345024G

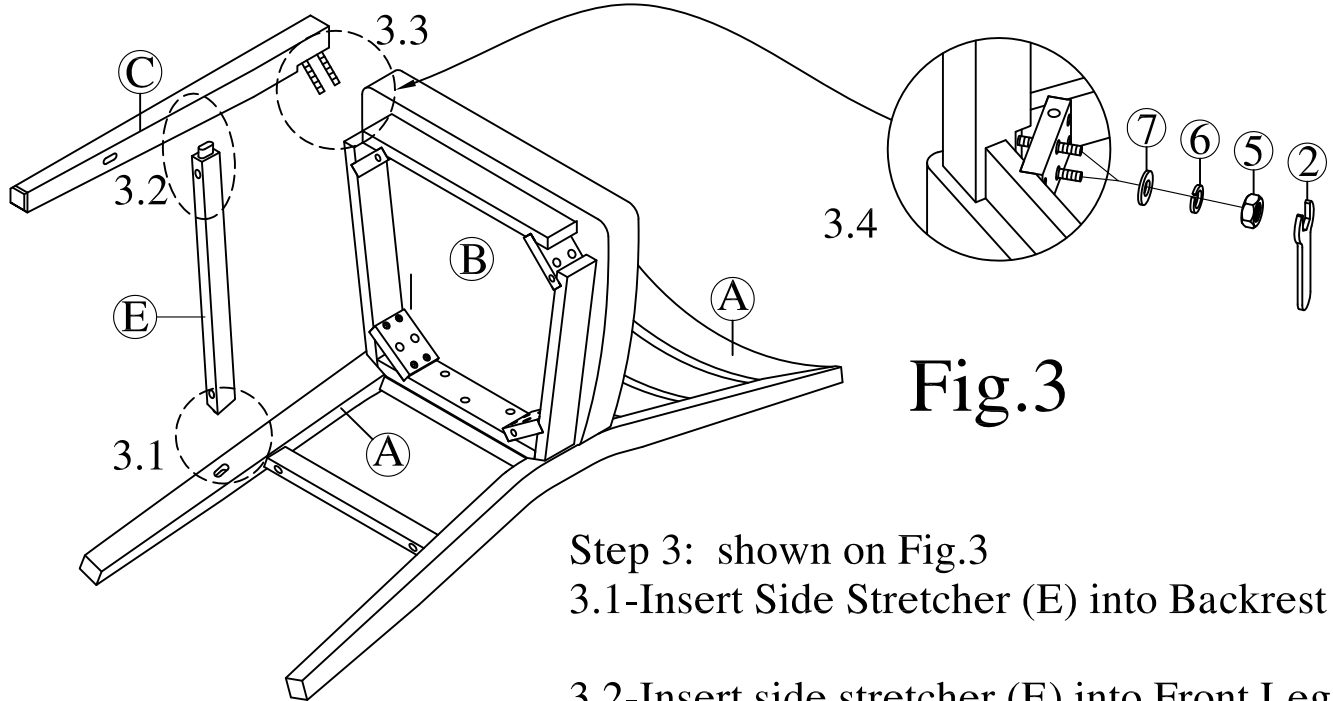


Fig.3

Step 3: shown on Fig.3

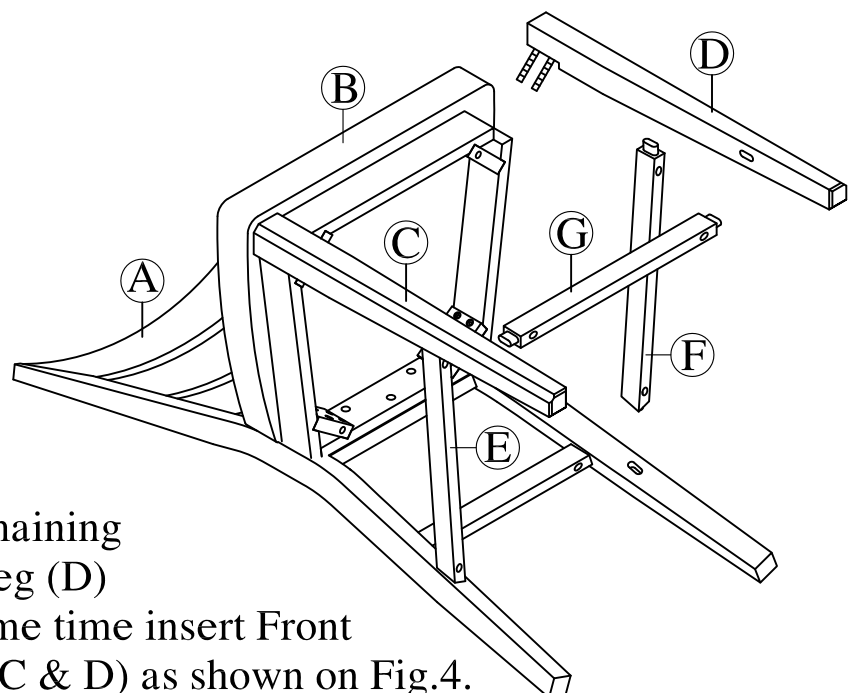
3.1-Insert Side Stretcher (E) into Backrest (A).

3.2-Insert side stretcher (E) into Front Leg (C).

3.3- Insert Front Leg (C) into Cushion Seat (B).

3.4- Use Hex-Nut (5), Spring Washer (6), Flat Washer (7) and tighten with Wrench (2) to attach Front Leg (C) to Cushion Seat (B). Do Not Fully Tighten Bolts Yet

Fig.4



Step 4.

Repeat step 3 to attach the remaining Side Stretcher (F) and Front Leg (D) to Cushion Seat (B). At the same time insert Front Stretcher (G) into Front Legs (C & D) as shown on Fig.4.

WINNERS ONLY®

ASSEMBLY INSTRUCTIONS

PROD. NO : DPT345024X / DPT345024G

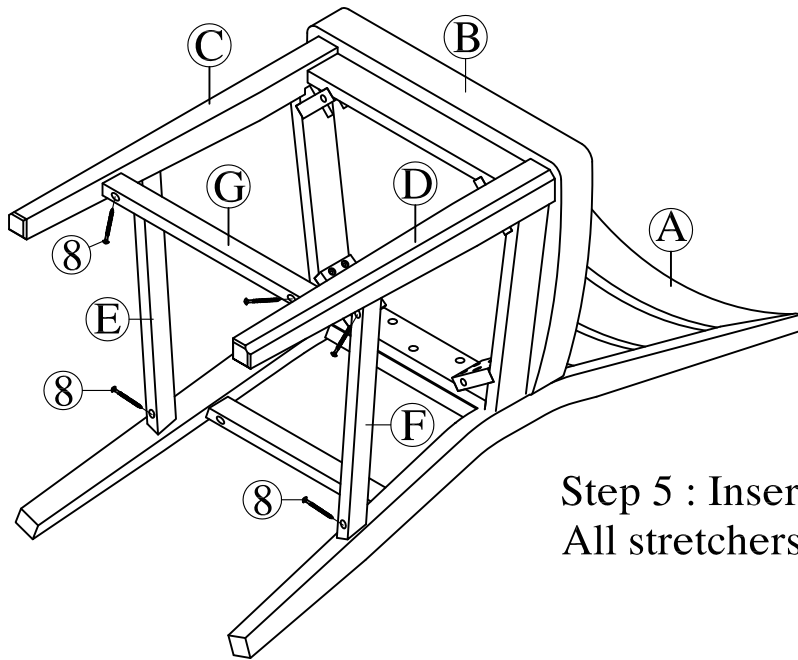


Fig.5

Step 5 : Insert Wood Screw (8) to fasten All stretchers (E, F, G) as shown on Fig. 5.

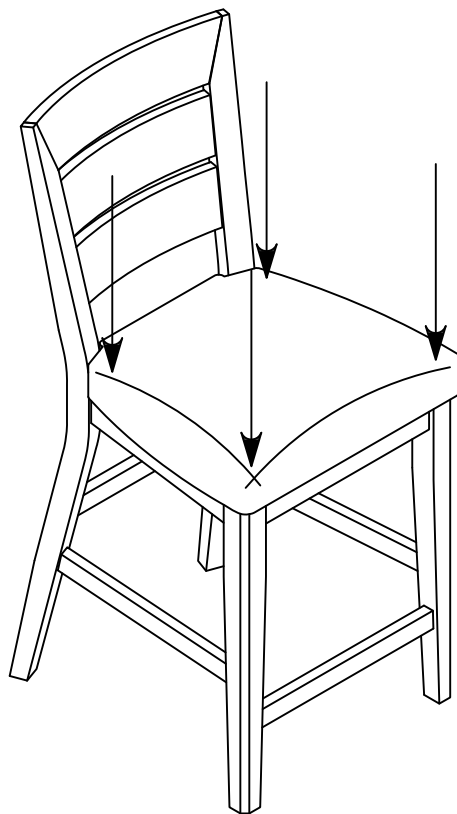


Fig.6

Step 6: Place the loosely assembled chair on a hard flat surface and apply gentle downward pressure on the seat. As shown on Fig.6. Once the chair is balanced and leveled, fully tighten all bolts.

Assembly is now Complete