











WINNERS ONLY® Assembly Instructions



DCT33879RT/GT / DCT33879RB/GB / DPRT13878T / DPRT13878B

Thank you for purchasing this quality product. Be sure to check all packaging material carefully for small parts that may have come loose inside the carton during shipment.








COMPONENT LIST: DC33879RT/GT

PART NO	FIGURE	DESCRIPTION	QTY
DCT33879RT/B-01/ DCT33879GT/B-01/ DPRT13878T-01		Hardware Bag	1 pce
DCT33879RT-13/ DCT33879GT-13/ DPRT13878T-13		Table Top	1 pce
DCT33879RT-02/ DCT33879GT-02/ DPRT13878T-02		Apron Hinge	4 pcs
DCT33879RT-09/ DCT33879GT-09/ DPRT13878T-09		Leaf Hinge	3 pcs
DCT33879RT-10/ DCT33879GT-10/ DPRT13878T-10		Table Lock	4 pcs
DCT33879RT-12/ DCT33879GT-12/ DPRT13878T-12		Support Leaf Hinge	2 pcs
DCT33879RT-20/ DCT33879GT-20/ DPRT13878T-20		Leaf Apron	2 pcs
DCT33879RT-21/ DCT33879GT-21/ DPRT13878T-21		Leg Stretcher	1 pce
DCT33879RT-31/ DCT33879GT-31/ DPRT13878T-31		Wood Block	2 pcs
DCT33879RT18/ DCT33879GT18/ DPRT13878T-18		Mounting Plate	2 pcs

COMPONENT LIST: DC33879RB/GB

PART NO	FIGURE	DESCRIPTION	QTY
DCT33879GB-15/ DCT33879RB-15/ DPRT13878B-15		Trestle	2 pcs
DCT33879GB-22/ DCT33879RB-22/ DPRT13878B-22		Adjustable Leveler	4 pcs

HARDWARE LIST:

PART NO	FIGURE	DESCRIPTION	QTY
1		Hex Nut	4pcs
2		Lock Washer	8 pcs
3		Flat Washer	4 pcs
4		Wrench	1 pc
5		JCBB Bolt	4 pcs
6		Flat Washer (small)	4 pcs
7		Allen Key M5	1 pc

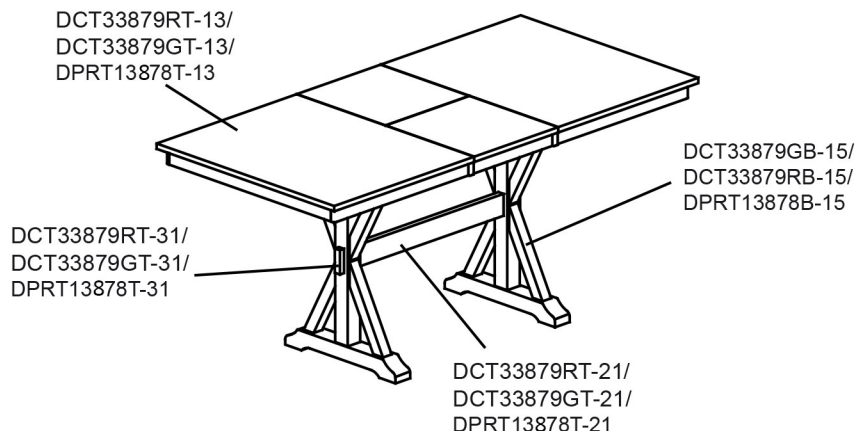
This product will take 15-20 minutes to assemble.

Reminders

1. Use only the hardware supplied.
2. Once the product is assembled, level and tighten all the bolts.
3. Do not over-tighten bolts.
4. This item may require periodic tightening

NOTE:

1. Two or two people are needed for assembly
2. Please keep all hardware parts out of the reach of children.



WINNERS ONLY® Assembly Instructions

DCT33879RT/GT / DCT33879RB/GB / DPRT13878T / DPRT13878B

ASSEMBLY :

STEP 1

- 1.1- Step 1.1 Attach the Leg stretcher to the Trestle using the supplied hardware as shown in Fig.1 Add wood block as shown in Fig.1

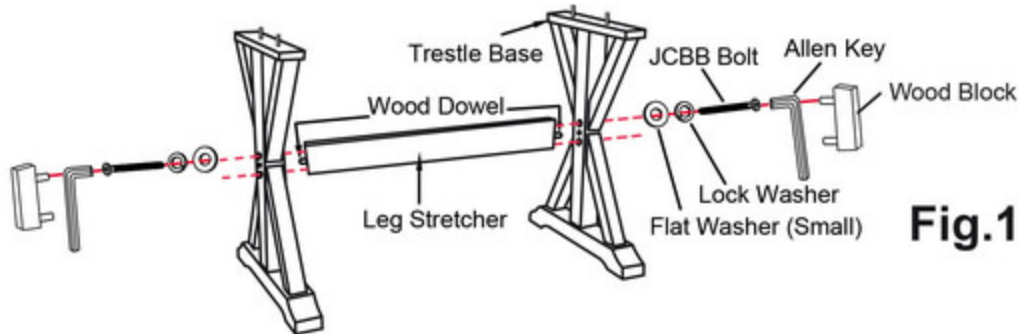


Fig.1

Base Assembly

STEP 2

- 2.1- Place the Table Top upside down on a soft Protective surface such as a carpet. **REMOVE AND DISCARD THE TEMPORARY WOOD STRIP MARKED AS "REMOVE"** as shown on Fig 2 .Once wood strip is remove flip table to upright position.

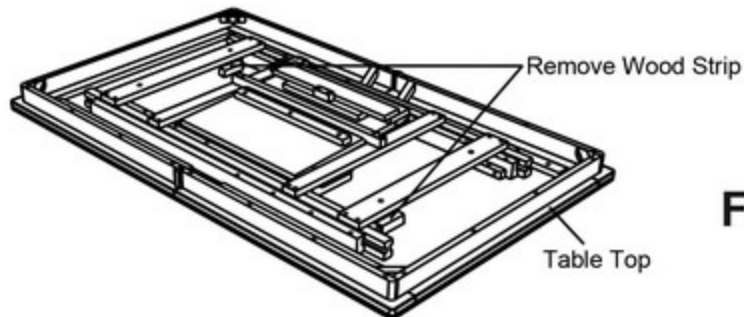


Fig.2

STEP 3

- 3.1-Unlock the hook lock from underneath the table Top and pull the table from both ends. Attached Base assembly to the table top mounting plate using the supplied hardware as shown on Fig.3

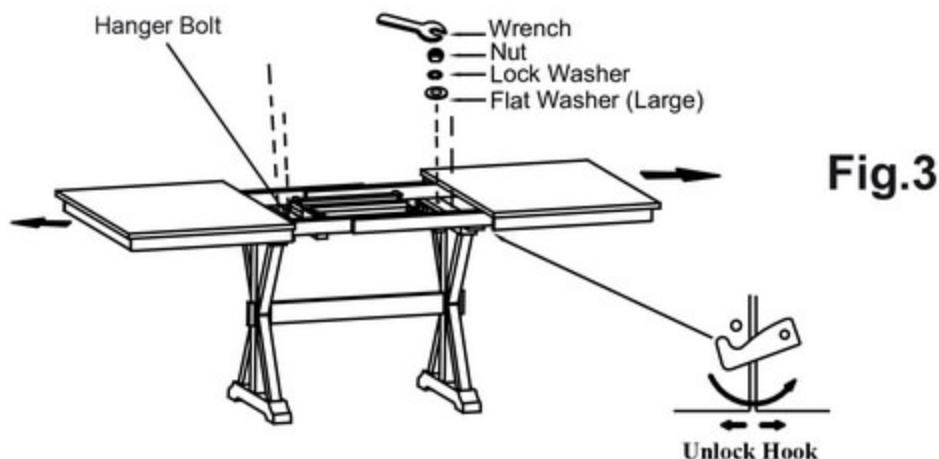


Fig.3

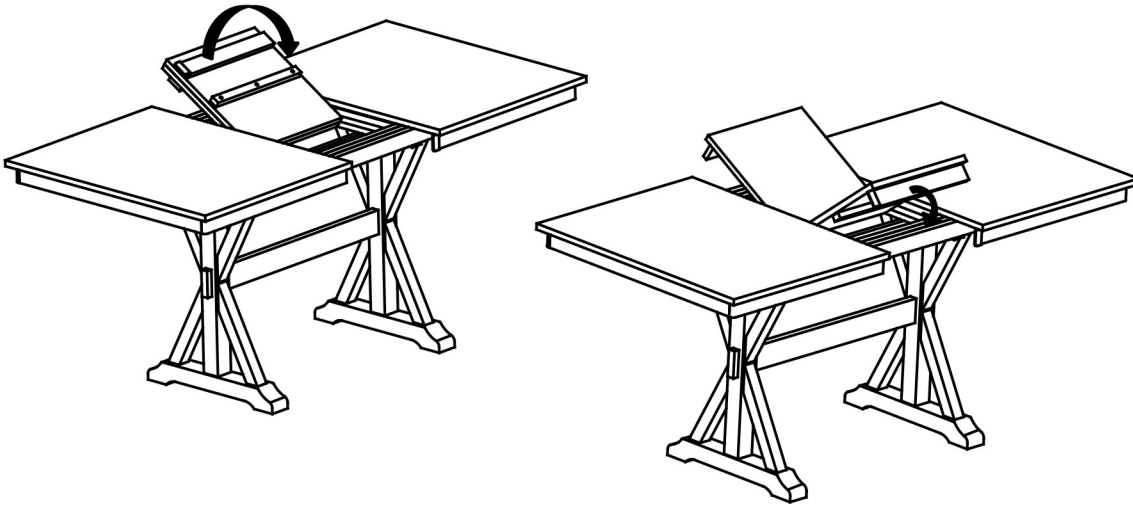
WINNERS ONLY® Assembly Instructions

DCT33879RT/GT / DCT33879RB/GB / DPRT13878T / DPRT13878B

ASSEMBLY :

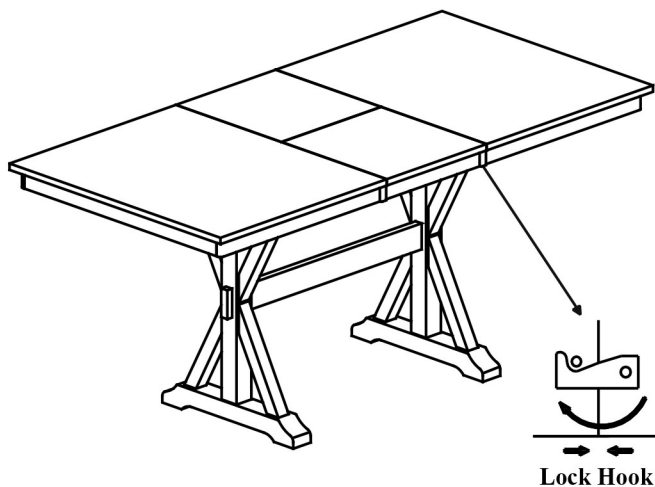
STEP 4

- 4.1-Lift both leaves from the compartment.
- 4.2-Flip up the aprons and unfold leaf and place the leaf on the table top surface carefully.



STEP 5

- 5.1-Push table top from both ends to close. Lock the hooks underneath the table.



Assembly is now Completed.

CARE INSTRUCTION

- ~ Be sure to use the same type of polish consistently. Your furniture will appear cloudy or streaky if oil based or wax based polishes are interchanged.
- ~ Spray your furniture surface evenly. Wipe in a circular motion with a soft clean cloth.