

IMPORTANT NOTICE:
Storing and opening the leaf
requires 2 people.

WINNERS ONLY®

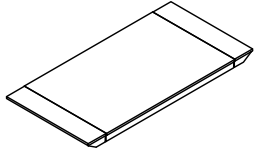
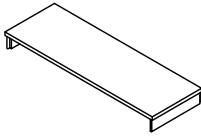
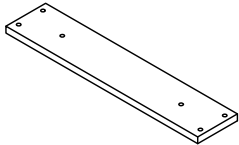
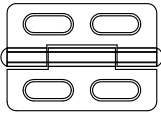
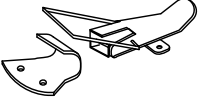
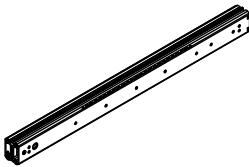
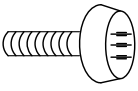
ASSEMBLY INSTRUCTIONS

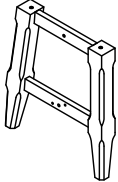
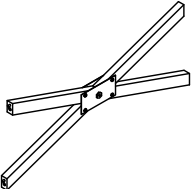
PROD. NO : DN23696T & DN23696B
DNT23697T & DNT23697B

Thank you for purchasing this quality product. Be sure to check all packaging materials carefully for small parts that may have come loose inside the carton during shipment.

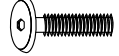





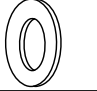
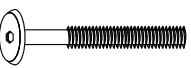
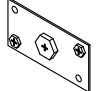
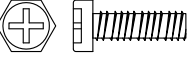
Reminders

1. Use only the hardware supplied.
2. Do not over-tighten bolts.
3. This item may require periodic tightening.

DN23696T / DNT23697T COMPONENTS LIST			QTY
A	Table Top		1pc
B	Table Leaf		2pcs
C	Mounting Plate		2pcs
D	Hinge		8pcs
E	Clamp Lock		8pcs
F	Metal Glide Left- Right		2pcs Left
			2pcs Right
G	Adjustable Leveler		4pcs

DN23696B / DNT23697B COMPONENTS LIST			QTY
H	Table Leg		2pcs
I	Trestle Bar		1pc

Hardware List :

NO	DESCRIPTION	SIZE	FIGURE	QTY
1	Short Bolt	Ø1/4"x 32mm		4pcs
2	Spring Washer	Ø5/16"x 12mm		16pcs
3	Small Flat Washer	Ø1/4"x 12mm		4pcs
4	Allen Key	58x 23x 4mm		1pc
5	Wood Cap	Ø13.5x 8mm		2pcs
6	Short Bolt	Ø5/16"x 45mm		4pcs
7	Flat Washer	Ø5/16"x 19mm		12pcs
8	Long Bolt	Ø5/16"x 85mm		8pcs
9	Metal Plate Small	100x 50x 7.5mm		2pcs
10	Short Bolt	Ø1/4"x 19mm		4pcs

IMPORTANT NOTE:

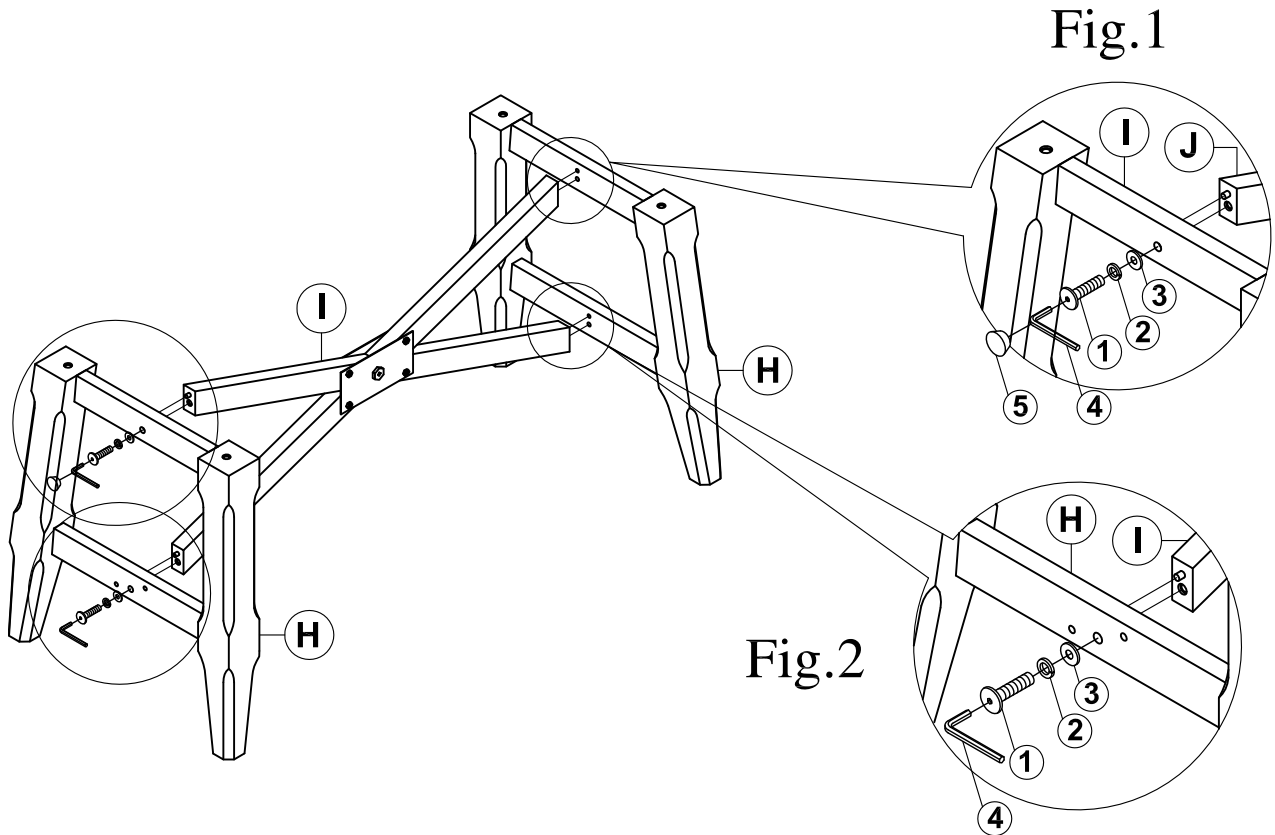
- Please keep all hardware parts out of the reach of children.
- Two or more people are needed for assembly.

WINNERS ONLY[®]

ASSEMBLY INSTRUCTIONS

STEP 1:

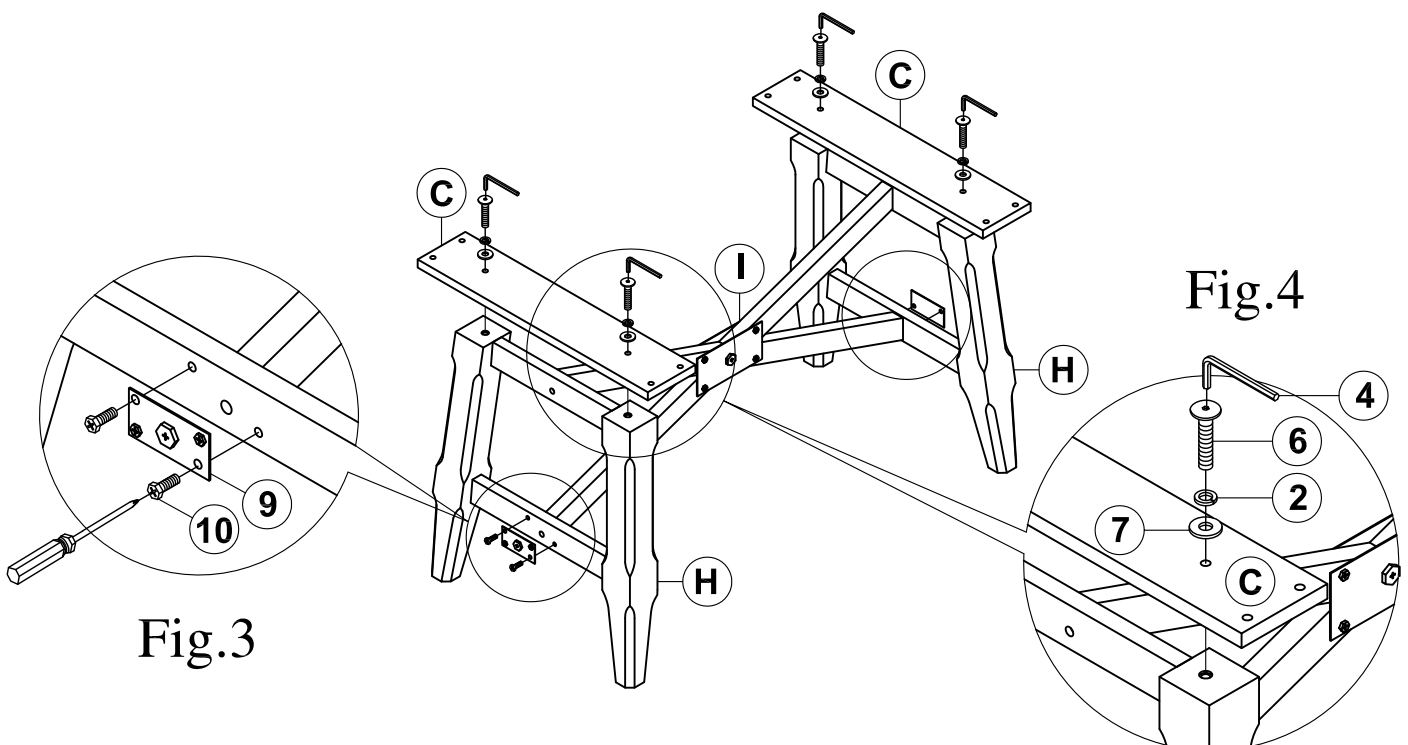
Attached Table Leg (H) to the Trestle Bar (I) using the provided hardware as shown on Fig.1 and Fig.2.



STEP 2:

Attached Metal Plate Small (9) to the Table Leg (H) using the provided hardware as shown on Fig.3.

Attached Mounting Plate (C) to the Table Leg (H) using the provided hardware as shown on Fig.4.



WINNERS ONLY[®]

ASSEMBLY INSTRUCTIONS

STEP 3:

Attached Table Top (A) to the Mounting Plate (C) using the provided hardware as shown on Fig.5.

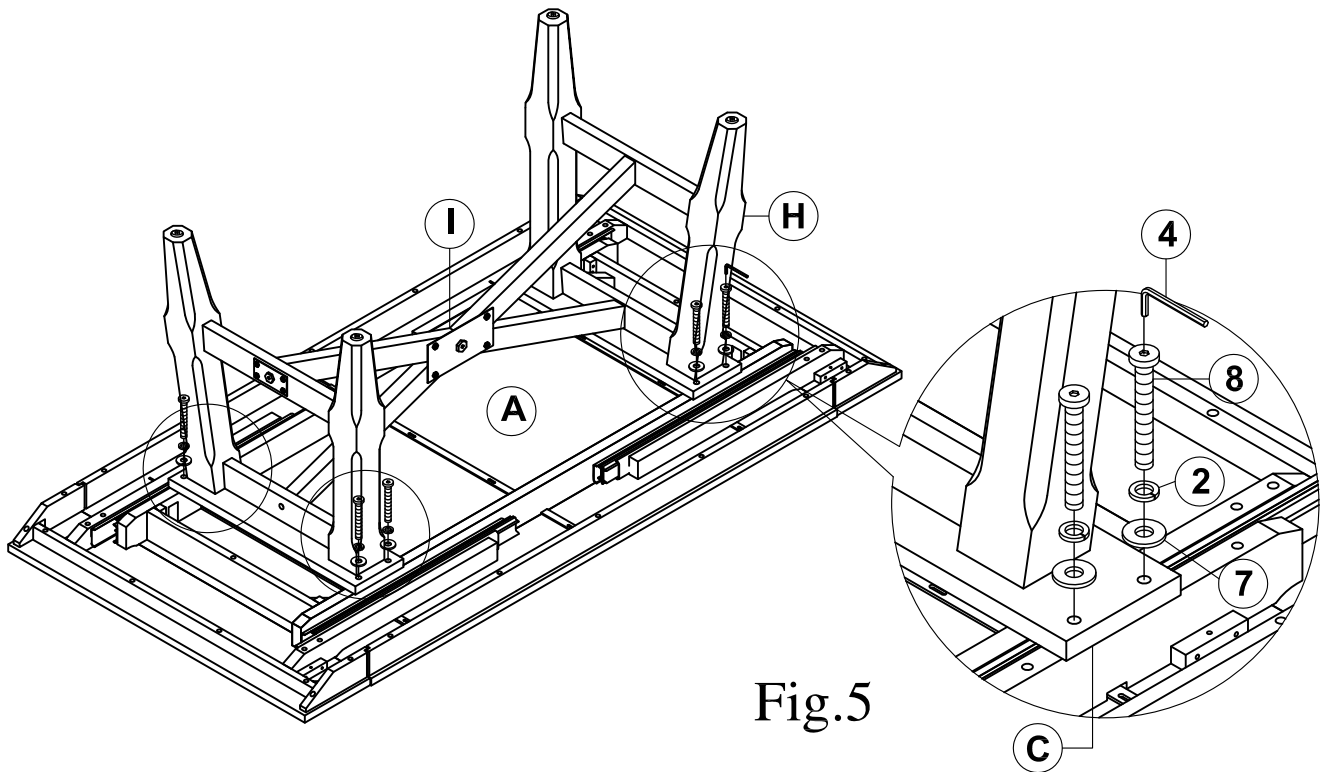
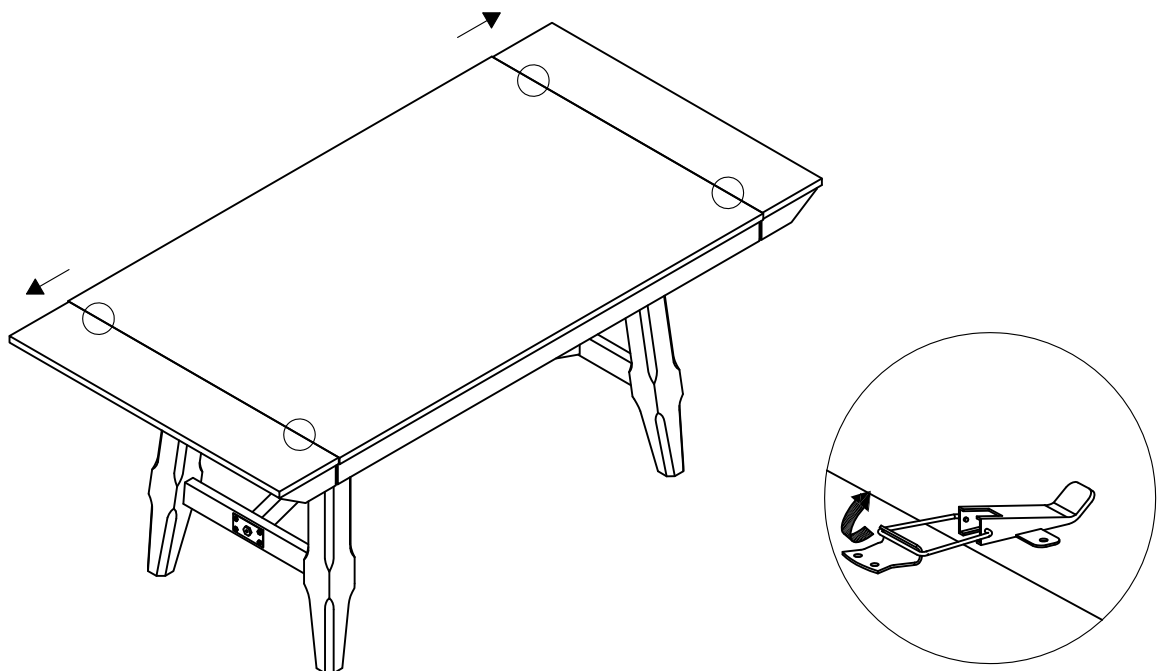


Fig.5

STEP 4:

- Turn the table to upright position. Unlock the Clamp Locks (E) underneath the Table Top (A). pull from both ends of table top (A).



WINNERS ONLY®

ASSEMBLY INSTRUCTIONS

STEP 5:

Place the Table Leaf (B) in position and push Table Top (A) from both ends to close. Lock the Clamp Lock (E) underneath the Table Top (A) to prevent injury from sliding table top (A).

