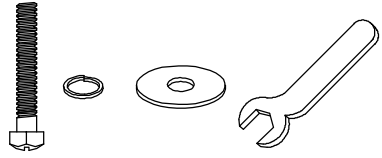
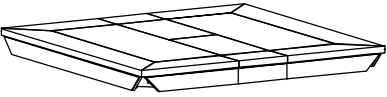
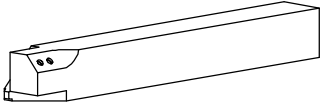
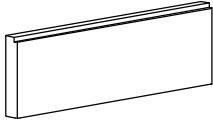



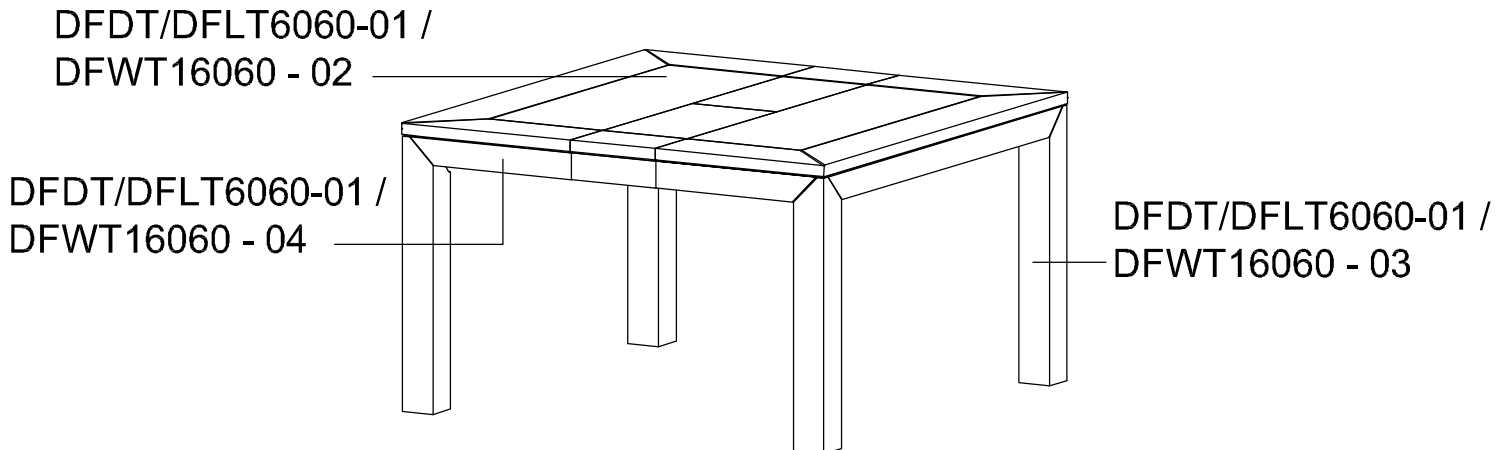
# Assembly Instructions

DFDT / LT6060 / DFWT16060

SOLID TOP RECTANGULAR BUTTERFLY EXTENSION COUNTER TABLE

## PARTS LIST

PART NO	FIGURE	DESCRIPTION	Q'TY
DFDT/DFLT6060-01 / DFWT16060 - 01		Hardware Bag	1 Pc
DFDT/DFLT6060-01 / DFWT16060 - 02		Table Top	1 Pc
DFDT/DFLT6060-01 / DFWT16060 - 03		Leg	4 Pcs
DFDT/DFLT6060-01 / DFWT16060 - 04		Apron Leaf	1 Pc
DFDT/DFLT6060-01 / DFWT16060 - 05		Hook Lock	4 Pcs







# Assembly Instructions

**IMPORTANT NOTICE:**  
Storing and opening the leaf  
requires 2 people.

DFDT / LT6060 / DFWT16060

## SOLID TOP RECTANGULAR BUTTERFLY EXTENSION COUNTER TABLE

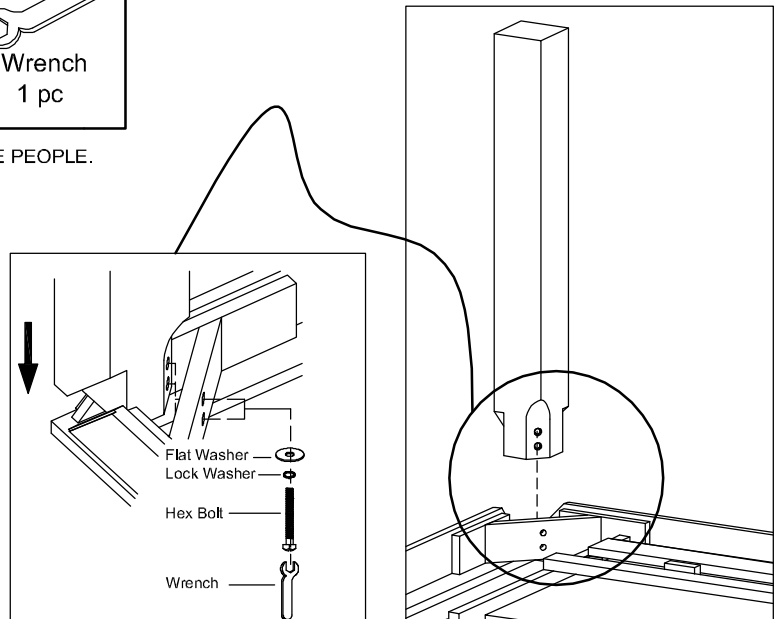
### HARDWARE PARTS :

			
Hex Bolt 8 pcs	Lock Washer 8 pcs	Flat Washer 8 pcs	Wrench 1 pc

**NOTE :** THE UNIT SHOULD BE ASSEMBLED BY 2 OR MORE PEOPLE.

### ASSEMBLY

- 1) Turn the Table Top upside down on a protective surface such as carpet or other soft material. Place the leg to corner of Apron, then tighten the Flat Washer, Lock Washer and Hex Bolt using the Wrench provided. Repeat the same for the other legs. Set the Table upright on its legs.



- 2) Unlock the hook underneath the table and pull the table top wide open equally from both ends. Lift both leaves from the compartment.
- 3) Flip up the aprons, unfold leaf and place the leaf on the Table Top surface carefully.
- 4) Push table top from both ends to close. Lock the hook underneath the table.

