

# WINNERS

ONLY INC.

## ASSEMBLY INSTRUCTIONS

**ITEM NO : DFB14072**

Thank you for purchasing this quality product. Be sure to check all packaging materials carefully for small parts that may have come loose inside the carton during shipment.

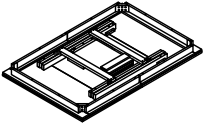
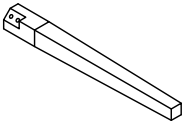
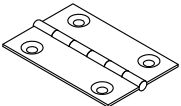
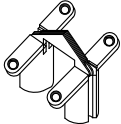
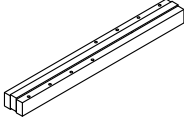
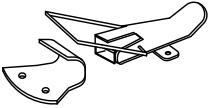
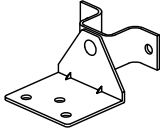
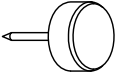
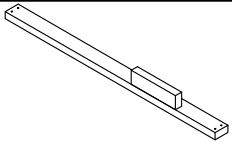
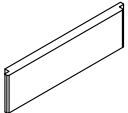
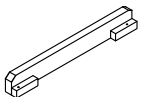
**Reminders**

1. Use only the hardware supplied.
2. Do not over-tighten bolts.
3. This item may require periodic tightening.

**IMPORTANT NOTE:**

- Please keep all hardware parts out of the reach of children.
- Two or more people are needed for assembly.

**COMPONENTS LIST**

PART NO	FIGURE	DESCRIPTION	QTY
A		TABLE TOP	1 Pc
B		TABLE LEG	4 Pcs
C		APRON HINGE	4 Pcs
D		LEAF HINGE	2 Pcs
E		GLIDES	2 Pcs
F		CLAMP LOCK	4 Pcs
G		SUPPORT LEAF HINGE	2 Pcs
H		PLASTIC GLIDE	4 Pcs
I		SUPPORT BAR ( LEFT- RIGHT )	2 Pcs
J		APRON LEAF ( LEFT- RIGHT )	2 Pcs
K		TEMPORARY BLOCKS ( PLEASE REMOVE BEFORE USE )	2 Pcs

**IMPORTANT NOTICE:**  
Storing and opening the leaf requires 2 people.

# WINNERS

ONLY INC.

## ASSEMBLY INSTRUCTIONS

**ITEM NO : DFB14072**

**Reminders**

1. Use only the hardware supplied.
2. Do not over-tighten bolts.
3. This item may require periodic tightening.

**Hardware List :**

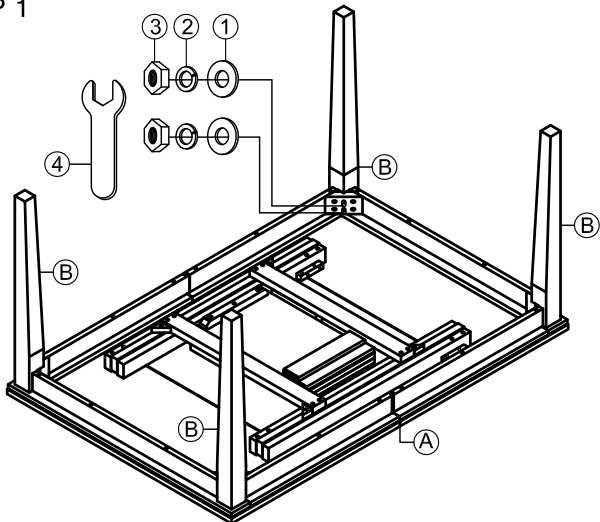
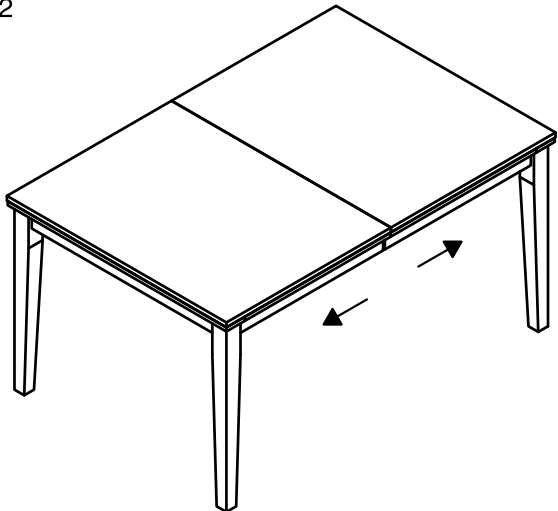
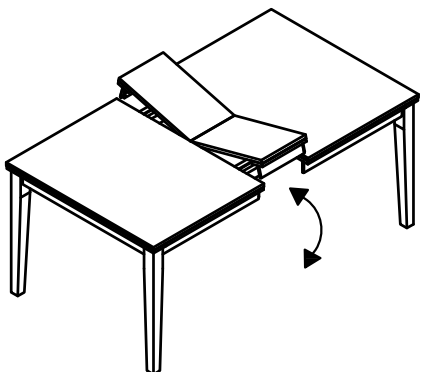
NO	DESCRIPTION	SIZE	FIGURE	QTY
1	Flat Washer	Ø5/16"x 19mm		8pcs
2	Spring Washer	Ø5/16"x 12mm		8pcs
3	Hex- Nut	Ø5/16"x 12mm		8pcs
4	Wrench	12x 75mm		1pc

**Step (1):** Place the table top (A) upside down on a smooth and flat surface

**Step (2):** Attach the legs (B) to the table top (A), using flat washers (1), spring washers (2), and hex- nut (3), tighten all using wrench (4).

**Step (3):** Turn the table to upright position. open the latches underneath of table top (A). Pull the table top wide open from both ends.

**Step (4):** Lift both leaves from the compartment and place them on the surface carefully. Push the table top from both ends to close the gap and lock from underneath the table.

<p><b>STEP 1</b></p> 	<p><b>STEP 2</b></p> 
<p><b>STEP 3</b></p> 	<p><b>STEP 4</b></p> 