

IMPORTANT NOTICE:
Storing and opening the leaf
requires 2 people.

WINNERS ONLY®

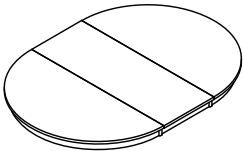
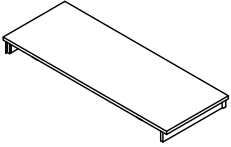
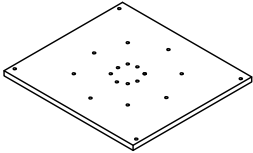
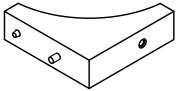
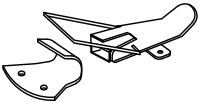
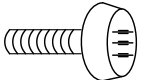
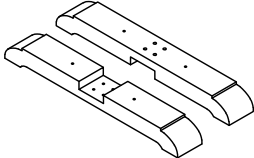
ASSEMBLY INSTRUCTIONS

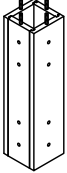
PROD. NO : DD34866T& DD34866B

Thank you for purchasing this quality product. Be sure to check all packaging materials carefully for small parts that may have come loose inside the carton during shipment.





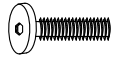


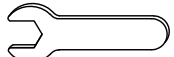

Reminders

1. Use only the hardware supplied.
2. Do not over-tighten bolts.
3. This item may require periodic tightening.

DD34866T COMPONENTS LIST			QTY
A	Table Top		1pc
B	Table Leaf		1pc
C	Mounting Plate		1pc
D	Cap		8pcs
E	Clamp Lock		4pcs
F	Adjustable Leveler		4pcs
G	Table Leg		1Set

DD34866B COMPONENTS LIST			QTY
H	Post		1pc

Hardware List :

NO	DESCRIPTION	SIZE	FIGURE	QTY
1	Long Bolt	Ø5/16"x 105mm		8pcs
2	Spring Washer	Ø5/16"x 12mm		20pcs
3	Small Flat Washer	Ø5/16"x 14mm		8pcs
4	Allen Key	58x 23x 4mm		1pc
5	Short Bolt	Ø5/16"x 45mm		4pcs
6	Flat Washer	Ø5/16"x 19mm		12pcs
7	Hex- Nut	Ø5/16"x 12mm		4pcs
8	Wrench	Ø5/16"x 12mm		1pc
9	Short Bolt	Ø1/4"x 75mm		4pcs

IMPORTANT NOTE:

- Please keep all hardware parts out of the reach of children.
- Two or more people are needed for assembly.

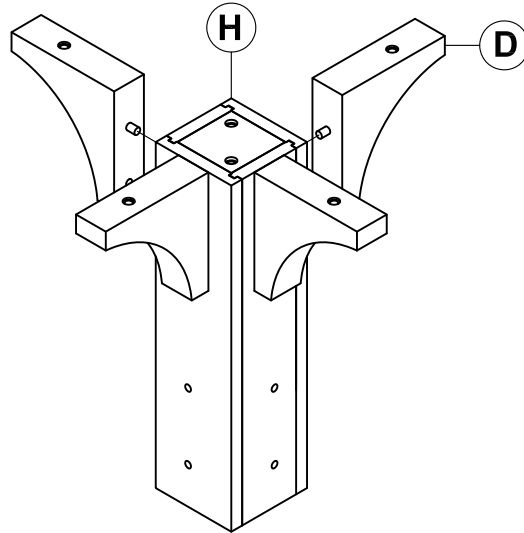
WINNERS ONLY[®]

ASSEMBLY INSTRUCTIONS

STEP 1:

Attached Cap (D) to the Post (H) using the provided hardware as shown on Fig.1.

Fig.1



STEP 2:

Attached Table Leg (G) to the Post (H) using the provided hardware as shown on Fig.2.

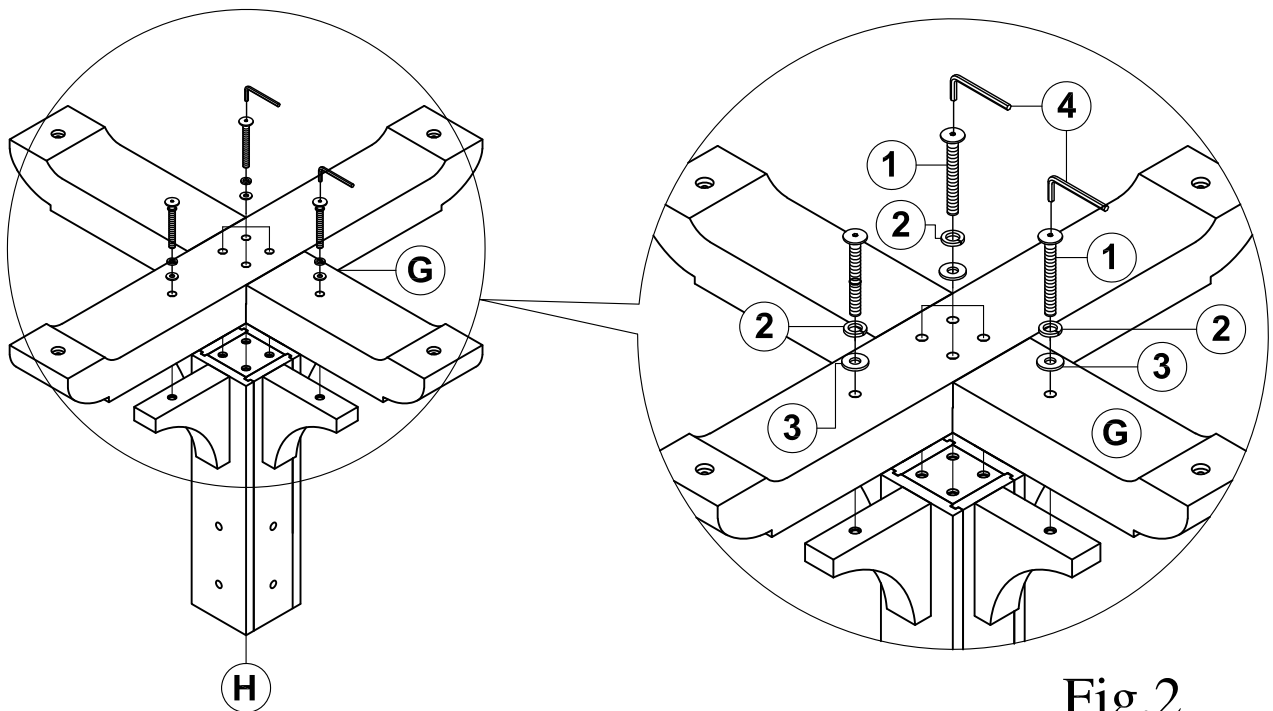


Fig.2

WINNERS ONLY®

ASSEMBLY INSTRUCTIONS

STEP 5:

- Turn the Table Top to the upright position.
- Pull the Table Top (A) from both ends and open the table leaf (B)
- Close the table top by pushing from both ends and clamp lock the latch underneath the table top to prevent from sliding on Fig.5.
- Attached Table Top (A) to the Mounting Plate (C) using the provided hardware as shown on Fig.6.

NOTE: In the event that the holes from the Mounting Plate do not align to the inserts located in the glides of the Table Top (A), use a rubber mallet (not provided) to gently tap the center wooden bar from the glide until the inserts and holes align to each other.

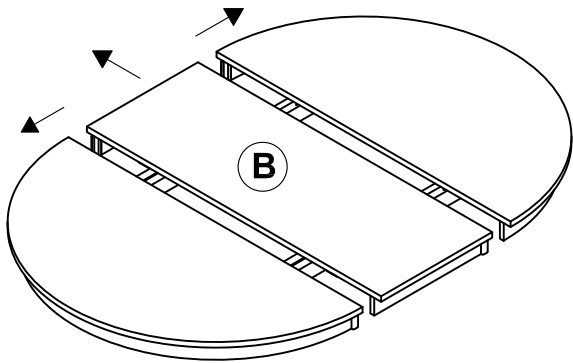


Fig.5

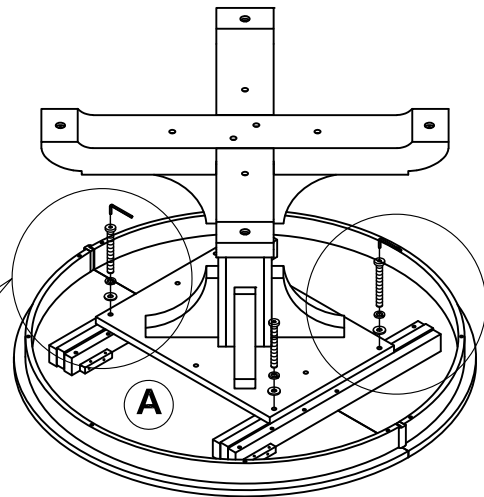
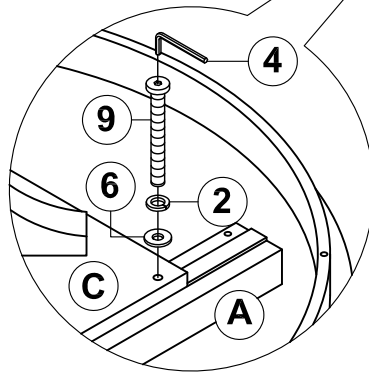
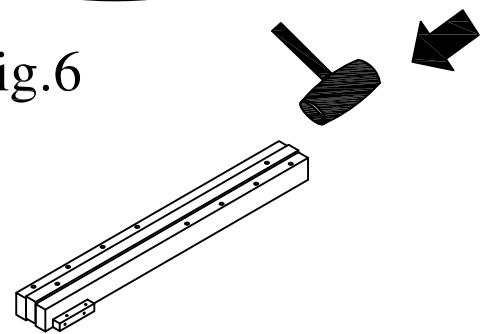
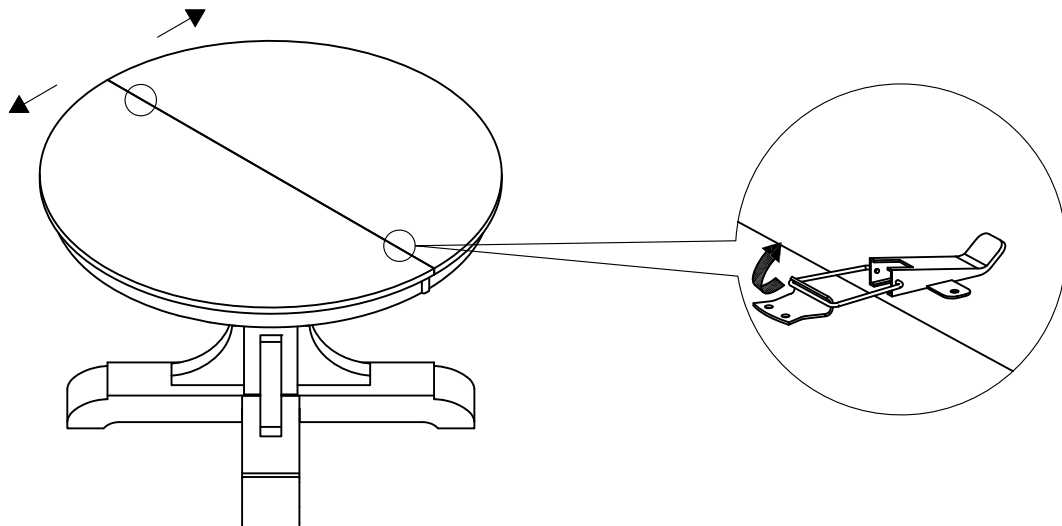


Fig.6



STEP 6:

- Turn the table to upright position. Unlock the Clamp Locks (E) underneath the Table Top (A). pull from both ends of table top (A).



WINNERS ONLY®

ASSEMBLY INSTRUCTIONS

STEP 7:

Place the Table Leaf (B) in position and push Table Top (A) from both ends to close. Lock the Clamp Lock (E) underneath the Table Top (A) to prevent injury from sliding table top (A).

