

# WINNERS ONLY®

## ASSEMBLY INSTRUCTIONS

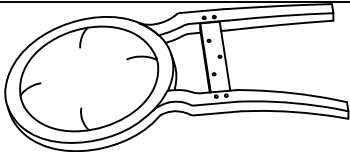
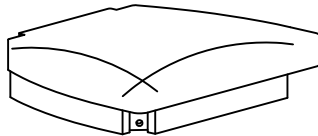
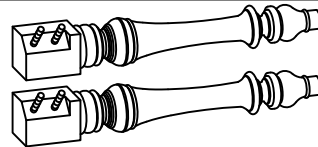
PROD. NO : DG3451S / DD3451S

Thank you for purchasing this quality product . Be sure to check all packaging material carefully for small parts that may have come loose inside the carton during shipment .


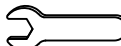

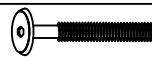



**"Hardware is attached underneath the seat bottom"**

This product will take 15-20 minutes to assemble

### Components List :

NO	DESCRIPTION	SKETCH	QTY
A	Back Rest		1pc
B	Cushion Seat		1pc
C	Front Leg		2pcs

### Hardware List :

NO	DESCRIPTION	SIZE	SKETCH	QTY
1	Allen Key	58x23x4 mm		1pc
2	Wrench	12x75 mm		1pc
3	Short Bolt	1/4" x38 mm		3pcs
4	Long Bolt	1/4" x75 mm		4pcs
5	Hex-Nut	5/16"		4pcs
6	Spring Washer	5/16" x Ø12		11pcs
7	Flat Washer	5/16" x Ø19		11pcs

#### Reminders

1. Use only the hardware supplied.
2. Once the chair is finished, level and tighten all the bolts.
3. Do not over-tighten bolts.
4. This item may require periodic tightening.

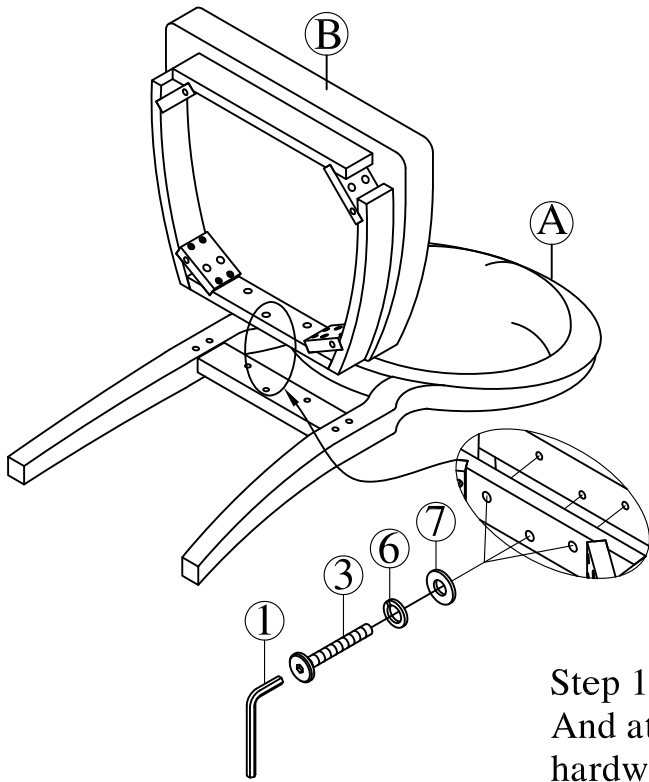
#### NOTE :

1. Hardware pack is located underneath the Wooden Seat (B).
2. Two or more people are needed for assembly. Please keep all hardware parts out of the reach of children.

# WINNERS ONLY®

## ASSEMBLY INSTRUCTIONS

PROD. NO : DG3451S / DD3451S



Grab hardware bag from underneath the cushion seat.  
Do not fully tighten bolts until the Product is level  
and the assembly of the product is completed.

Fig.1

Step 1: Lay the Backrest (A) on a flat Soft surface,  
And attached the wooden seat using the provided  
hardware as shown on Fig.1 And Fig.2 .

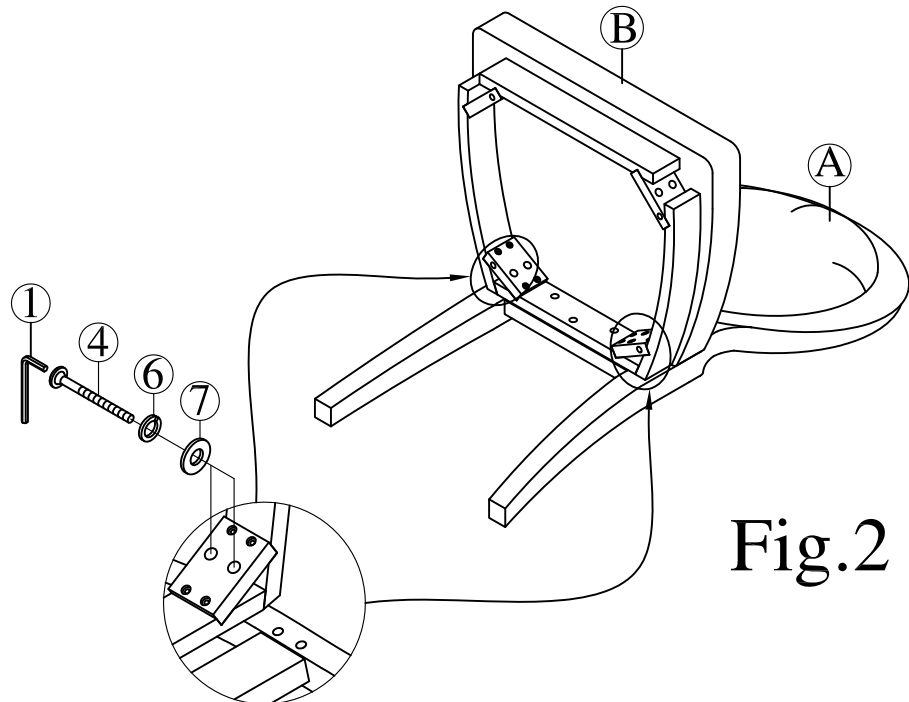


Fig.2

Note: move seat back  
and forward to ease  
the finding of the hole in  
the corner block.

# WINNERS ONLY®

## ASSEMBLY INSTRUCTIONS

PROD. NO : DG3451S / DD3451S

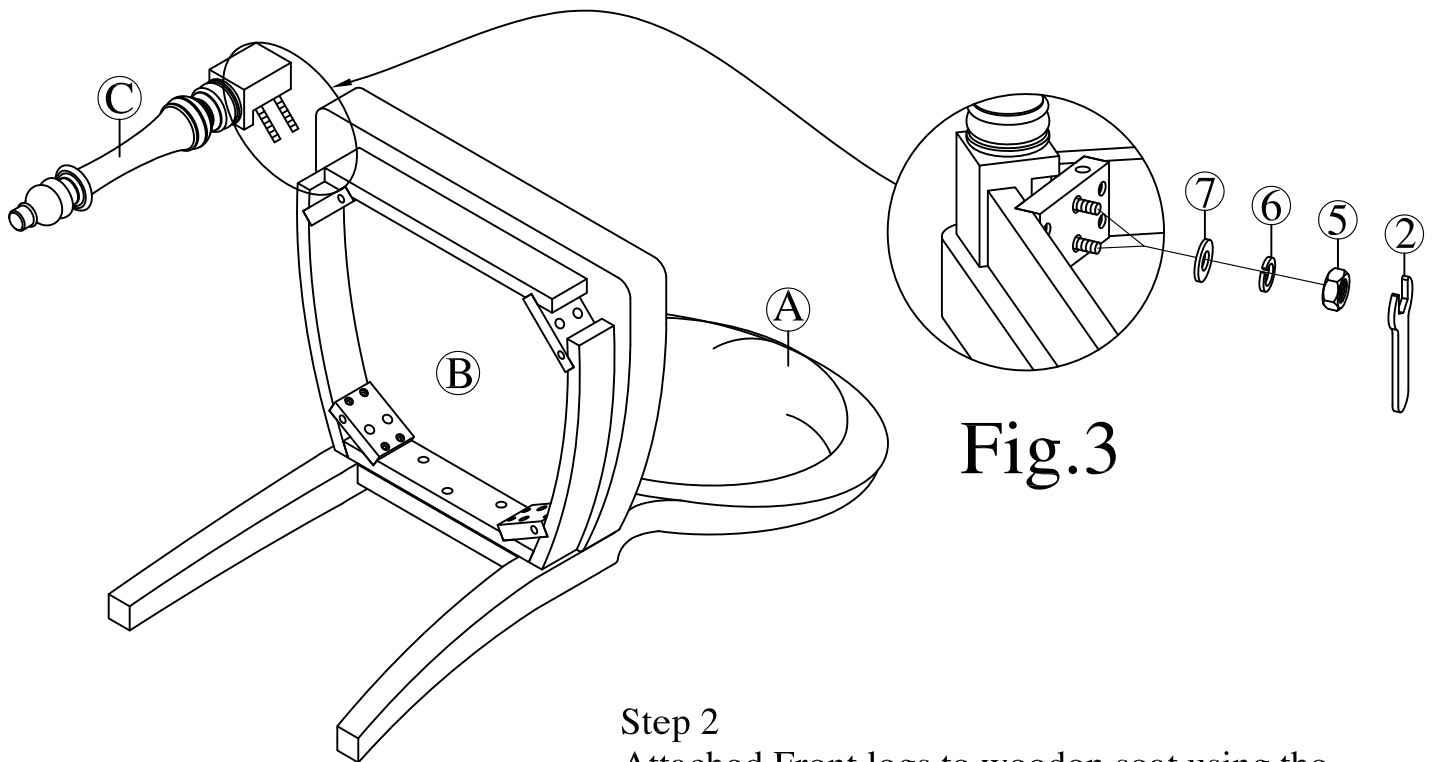
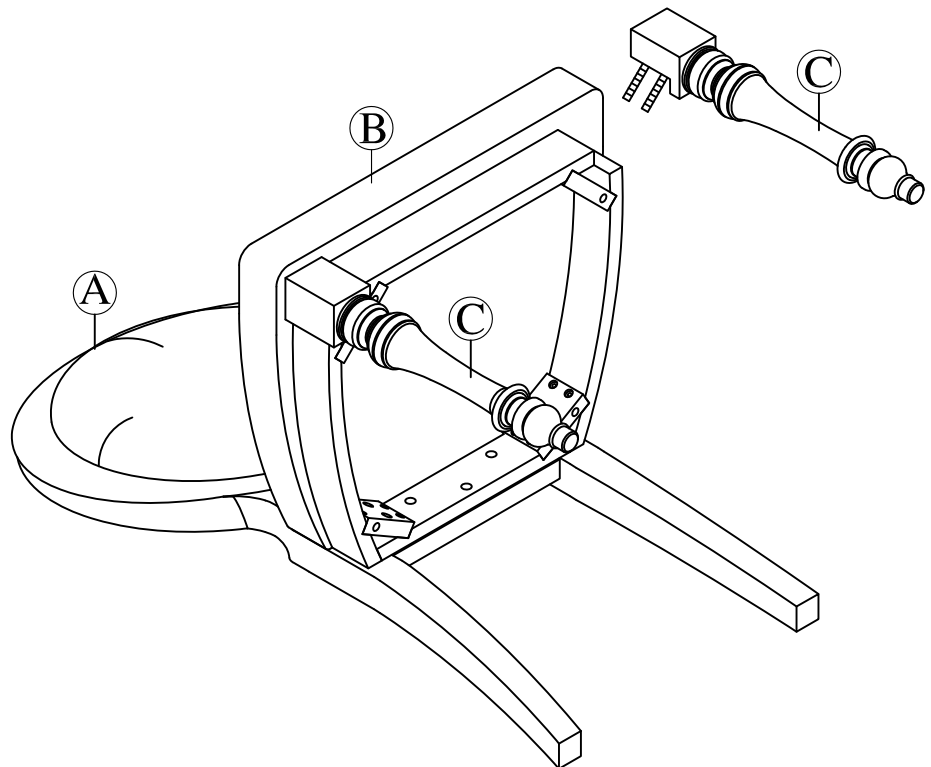


Fig.3

### Step 2

Attached Front legs to wooden seat using the provided hardware as shown in Fig.3 and Fig.4 .

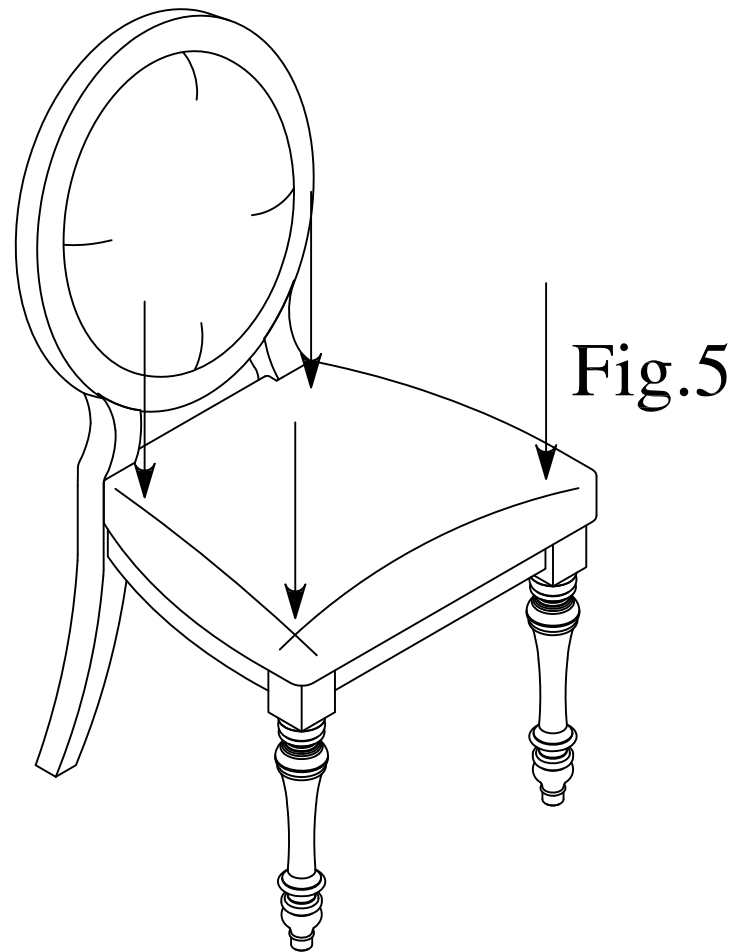
Fig.4



# WINNERS ONLY®

## ASSEMBLY INSTRUCTIONS

PROD. NO : DG3451S / DD3451S



Step 3: Place the loosely assembled chair on a hard flat surface and apply gentle downward pressure on the seat. As shown on Fig.5. Once the chair is balanced and leveled, fully tighten all bolts.

**Assembly is now Complete**