

# WINNERS ONLY® Assembly Instructions

PROD . NO: **DC34257GT&GB**  
**DC34257RT&RB**

Thank you for purchasing this quality product. Please read the instructions thoroughly before unpacking the assembly parts.

Caution: Sharp exposed staple tips can cause injury, therefore for your protection, please remove any exposed staples used in packing.

Please keep all hardware parts out of the reach of children.

1. We recommend that you should assemble this product with the assistance of another person: this will make the assembly easier, and will help to prevent personal injury and to insure parts are not damaged during the assembly process.
2. Before beginning, please check the packing materials carefully for small parts which may have come loose inside the carton during shipping. Please do not discard any packing material until all parts have been located. If any parts are missing, please contact your dealer for prompt replacement.
3. To prevent damage to your floor or carpet, please check the bottom of each piece of furniture for stain residues and rough surfaces and also check for staples or nails left after removing the packing materials. The manufacturer will not be held responsible if preventive steps are not taken prior to installation.
4. Please do not over tighten screws or bolts. During normal use everyday, screws, bolts, nuts and wooden plugs may loosen up. They should be periodically inspected and re-tightened to prevent damage to the furniture and (or) personal property of cause injury. Always check to be sure all hardware on this list and the below mentioned components are attached to the furniture properly and kept tightened.
5. Please lay all parts and hardware on a non abrasive surface such as a carpet, and follow the assembly.

This product will take 15-20 minutes to assemble.

## COMPONENT LIST: DC34257GT/RT

NO	DESCRIPTION	SKETCH	QTY
A	Hardware Bag		1 pack
B	Table Top		1 pce
C	Apron Hinge		4 pcs
D	Leaf Hinge		2 pcs
E	Table Lock		4 pcs
F	Mounting Plate		1 pce
G	Side Panel		2 pcs
H	Apron Leaf		2 pcs
I	Support Leaf Hinge		2 pcs
J	Metal Cable Glides		2 pcs

## COMPONENT LIST: DC34257GB/RB

NO	DESCRIPTION	SKETCH	QTY
K	Pedestal Stand		1 pce
L	Pedestal Leg # 1		4 pcs
M	Pedestal Leg # 2		4 pcs
N	Adjustable Leveler		4 pcs

## HARDWARE LIST:

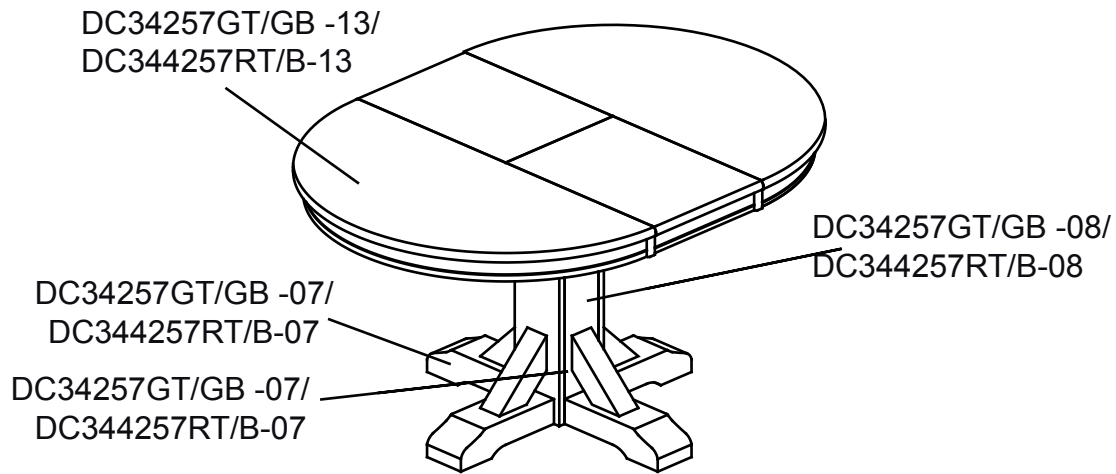
NO	DESCRIPTION	SIZE	SKETCH	QTY
1	Hex Nut	5/6" x 12.5 x 6.5mm		16pcs
2	Lock Washer (Large)	5/16" (M8) x 13.5 x 1.8 mm		20pcs
3	Flat Washer (Large)	M8 X 18 X 1.2mm		20pcs
4	Wrench	12.8mm		1 pc
5	JCBC Bolt	M6 x 40mm		8pcs
6	JCBB Bolt	M8 x 70mm		4pcs
7	Lock Washer (Small)	M6 x 13 x 2mm		8pcs
8	Flat Washer (Small)	M6.5 x 16.5 x 1.2mm		8pcs
9	Allen Key	M4 x 2.1/2"		1 pc
10	Allen Key	M5 X 2 1/2"		1 pc

Screw driver is require for assembly (not included)

TIP: store the Allen key and or Wrench used in assembly in this product's drawer or use masking or painter's tape to affix it to the underside of the product .this will make it easier to find if you want to periodically tighten bolts or disassemble the product.

# WINNERS ONLY Assembly Instructions

DC34257GT&GB/DC34257RT&RB

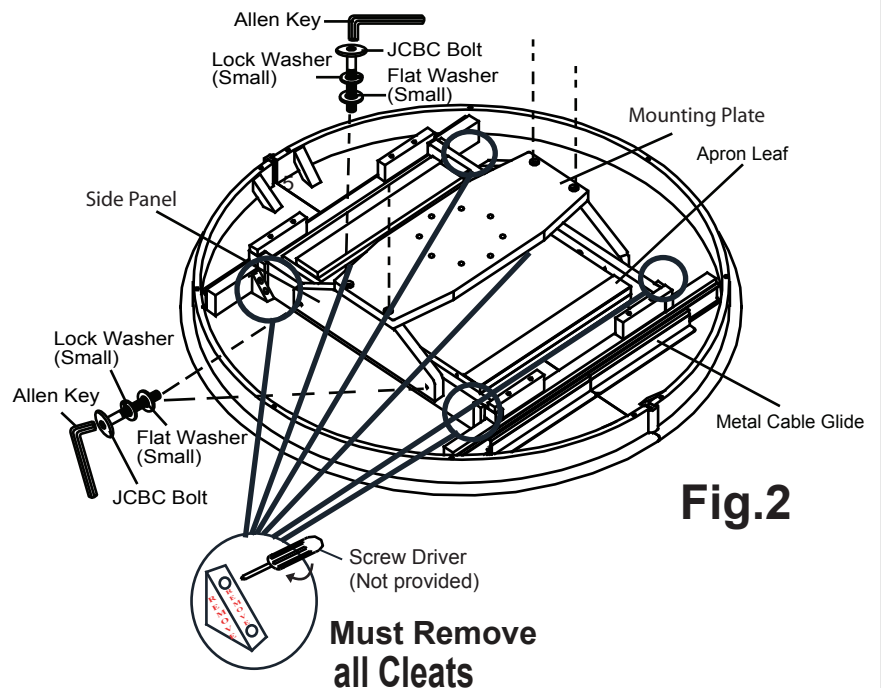
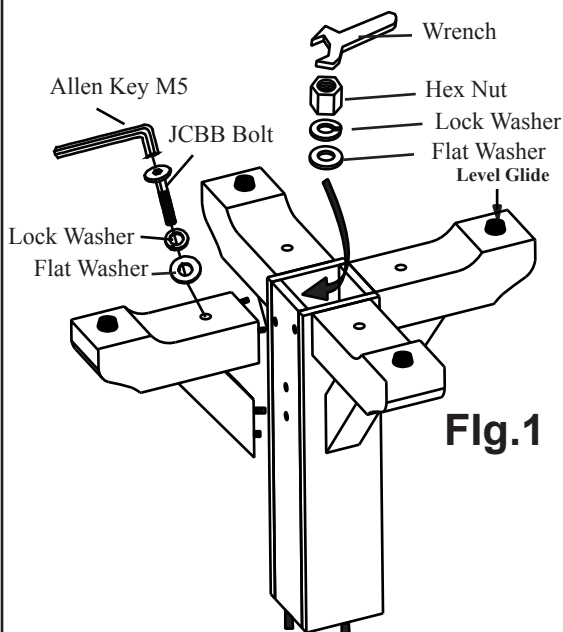


## ASSEMBLY :

### STEP 1

- 1.1-Turn the Table Pedestal stand upside down. Attached the base pedestal leg #1 to pedestal leg #2 using the provided hardware as shown on Fig.1.
- 1.2-Attached the this Assemble base Legs (1&2) to the pedestal stand with the provided hardware as shown on Fig 1.
- 2.1- Position the table top upside down on a smooth, protective surface such as carpet. Remove all the cleats with Screw Driver (not provided) .Install the side panel and mounting plate by using the supply hardware as shown on Fig.2

### STEP 1



# WINNERS ONLY Assembly Instructions

DC34257GT&GB/DC34257RT&RB

## STEP 3

3.1- Unlock the metal catches from underneath the table Top and pull the table from both ends. Attached base assembly to the table top mounting plate using the supply hardware as shown on Fig.3

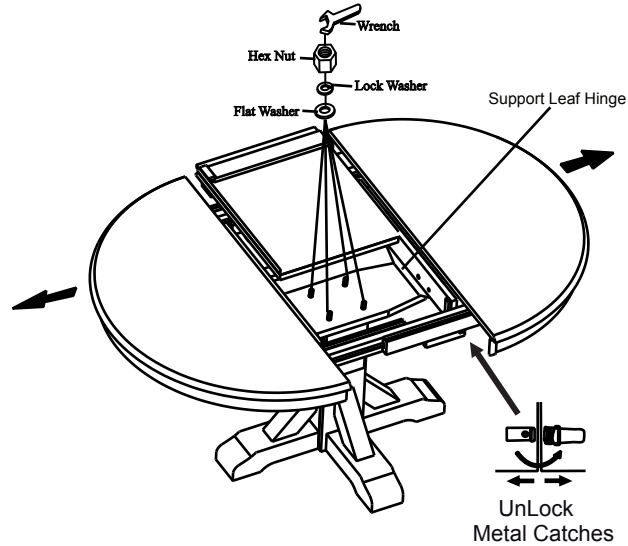
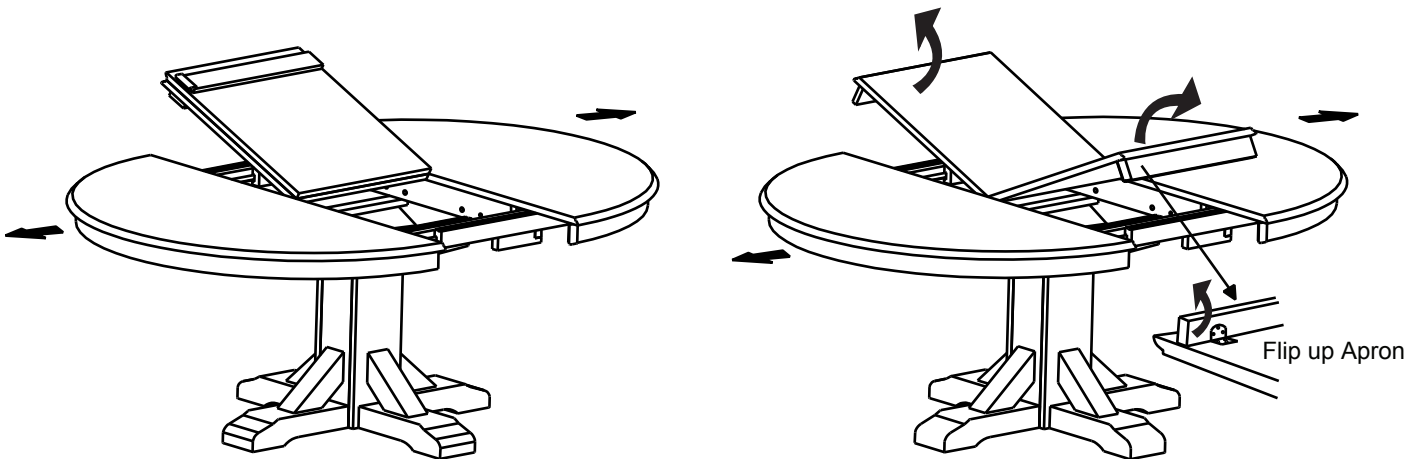


Fig.3

## ASSEMBLY :

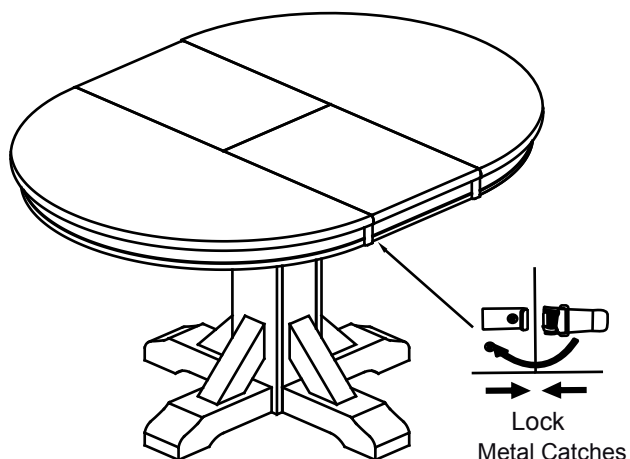
### STEP 4

- 4.1-Lift up the center leaf from the compartment.
- 4.2-Flip down the aprons and fold the centre leaf to store within the compartment



## STEP 5

5.1-Push Table Top from both ends to close.Lock the metal catches underneath the table.



### CARE INSTRUCTION

- ~ Be sure to use the same type of polish consistently. Your furniture will appear cloudy or streaky if oil based or wax based polishes are interchanged.
- ~ Spray your furniture surface evenly. Wipe in a circular motion with a soft clean cloth.