

WINNERS ONLY INC.






Assembly instructions

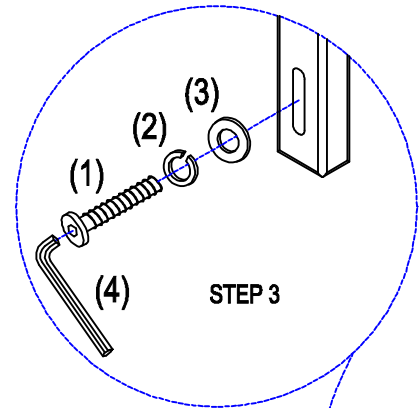
50" Youth Dresser & 38" Youth Mirror BMG1006Y/BMG1009Y

Caution: Please read instructions thoroughly before unpacking assembly parts. Sharp, exposed staple tips can cause injury, therefore, for your protection, please remove any exposed staples used in packing.

Please keep all hardware parts out of the reach of children.

1. We recommend that you should assemble this product with the assistance of another person; this will make assembly easier, and will help to eliminate damage to the product or injury to persons during assembly.
2. Be sure to check all packing materials carefully for small parts that may have come loose inside the carton during shipment.
3. Please do not over tighten screws or bolts.
4. Please put all parts on a non-abrasive floor before assembly, and follow the assembly steps to assemble your newly purchased product correctly and efficiently.

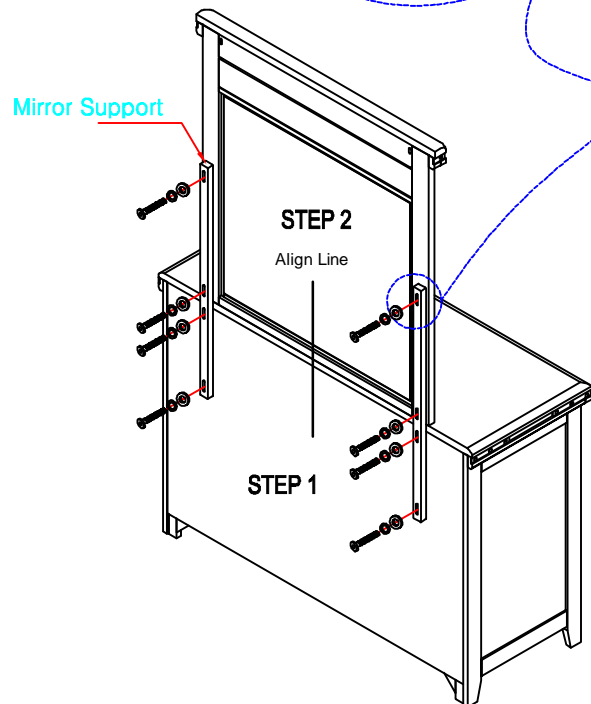
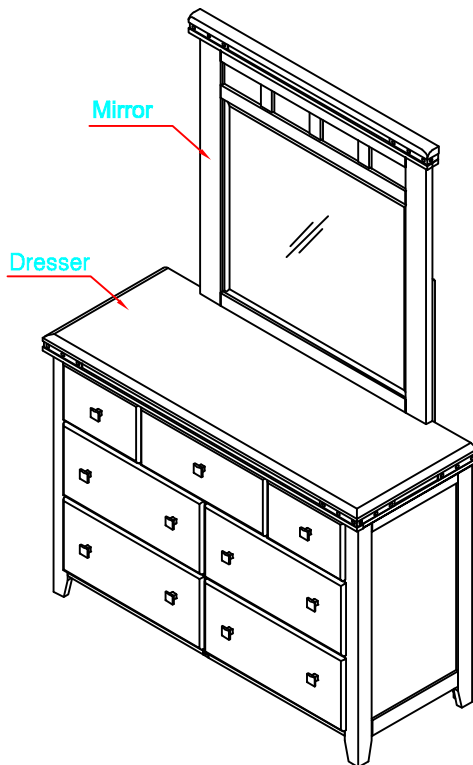
No	PARTS LIST			
1		Long JCBC Bolt	1/4" x L35mm	8 pcs
2		Spring Washer	1/4"(□10)*2mm	8 pcs
3		Flat Washer	1/4"(□16)*2mm	8 pcs
4		Allen Key	4*59mm	1 pcs
5		Mirror Support		2 pcs



Step 1: Secure Mirror Support (5) to the Dresser using Flat Washer(3),Spring Washer (2), Long JCBC Bolt(1) and Allen Key(4).

Step 2: Mount Mirror on the Dresser

Step 3: Secure Mirror to the Mirror Support (5) using Flat Washer(3),Spring Washer (2), Long JCBC Bolt(1) and Allen Key(4).



BACK VIEW