
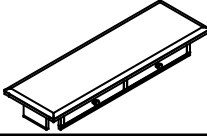
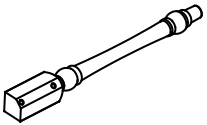



# WINNERS ONLY® Assembly Instructions




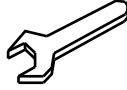
## AP100S 50" SOFA TABLE

Thank you for purchasing this quality product. Be sure to check all packaging material carefully for small parts that may have come loose inside the carton during shipment.

### COMPONENT LIST:

PART NO	FIGURE	DESCRIPTION	QTY
AP100S-01		Hardware Bag	1 pce
AP100S-13		Table Top	1 pce
AP100S-07		Legs	4 pcs
AP100S-22		Fixed Shelf	1 pce

### HARDWARE LIST:

PART NO	FIGURE	DESCRIPTION	QTY
1		Hex Bolt	8 pcs
2		Lock Washer	8 pcs
3		Flat Washer	8 pcs
4		Wrench	1 pce

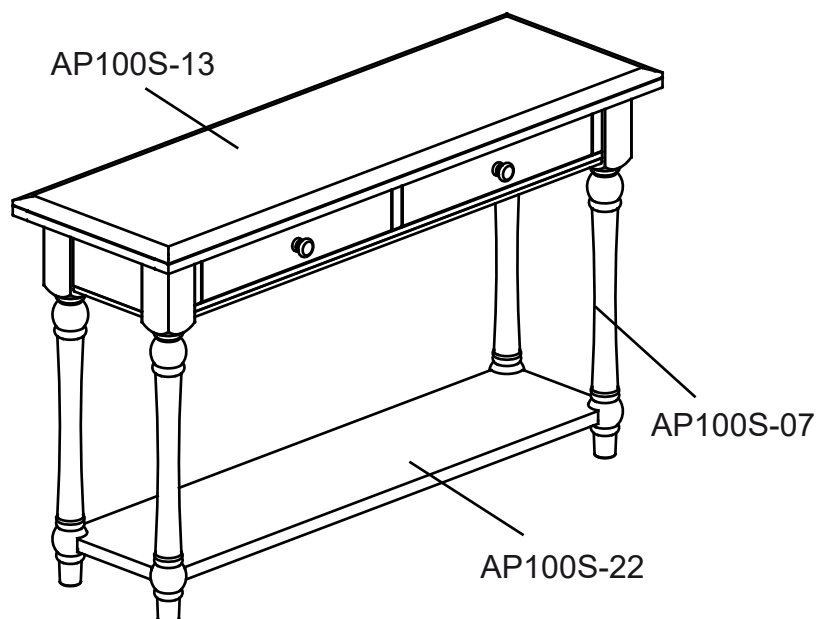
This product will take 15-20 minutes to assemble.

#### Reminders

1. Use only the hardware supplied.
2. Once the product is assembled, level and tighten all the bolts.
3. Do not over-tighten bolts.
4. This item may require periodic tightening

#### NOTE:

1. Two or two people are needed for assembly
2. please keep all hardware parts out of the reach of children.



# WINNERS ONLY® Assembly Instructions

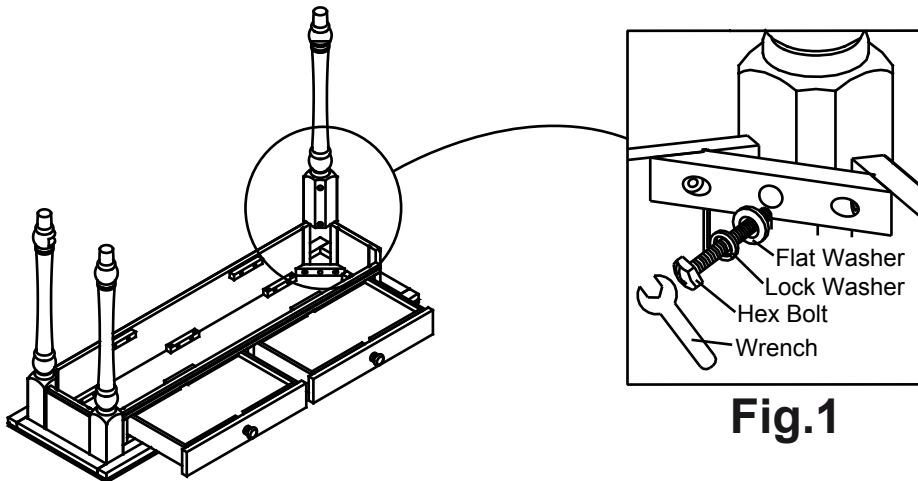
## AP100S 50" SOFA TABLE

### ASSEMBLY :

#### STEP 1

1.1- Pull out the Drawer as shown on Fig.1 And Turn the sofa Table upside down on a soft protective surface such as carpet.

1.2- Attach 3 of the 4 legs to the Table Tops using the provided hardware as shown on Fig.1 Do not fully tighten bolts yet.

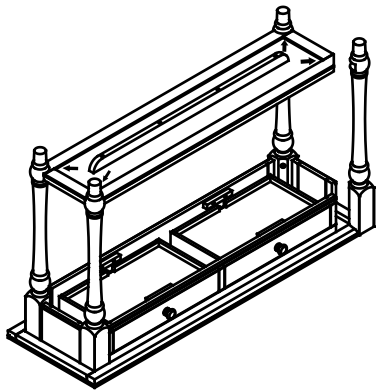


#### STEP 2

2.1-Insert the Fixed Shelf into the already installed legs as shown on Fig.2

Insert the last leg to the corner of apron frame and Fixed Shelf.

Once fixed shelf is installed attached the remaining legs using the provided hardware as shown on Fig.2.

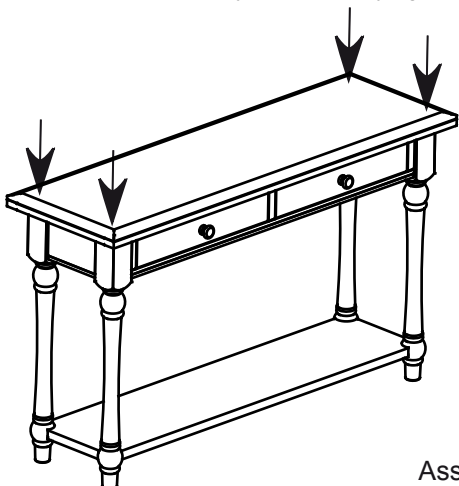


#### STEP 3

3.1- Close all drawers.

3.2- Turn table to upright position.

Once sofa table is fully balance fully tighten all bolts.



Assembly is now Completed.

#### CARE INSTRUCTION

- ~ Be sure to use the same type of polish consistently. Your furniture will appear cloudy or streaky if oil based or wax based polishes are interchanged.
- ~ Spray your furniture surface evenly. Wipe in a circular motion with a soft clean cloth.