


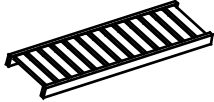


WINNERS ONLY® Assembly Instructions






AC100S / AE200S / AR200S 50" SOFA TABLE

Thank you for purchasing this quality product. Be sure to check all packaging material carefully for small parts that may have come loose inside the carton during shipment.

COMPONENT LIST:

PART NO	FIGURE	DESCRIPTION	QTY
AC100S-01		Hardware Bag	1 pce
AC100S-13		Table Top	1 pce
AC100S-15		Trestle Base	2 pcs
AC100S-22		Fixed Shelf	1 pce

HARDWARE LIST:

PART NO	FIGURE	DESCRIPTION	QTY
1		JCBC Bolt	8 pcs
2		Lock Washer	8 pcs
3		Flat Washer	8 pcs
4		Wood Button	8 pcs
5		Allen Key	1 pce

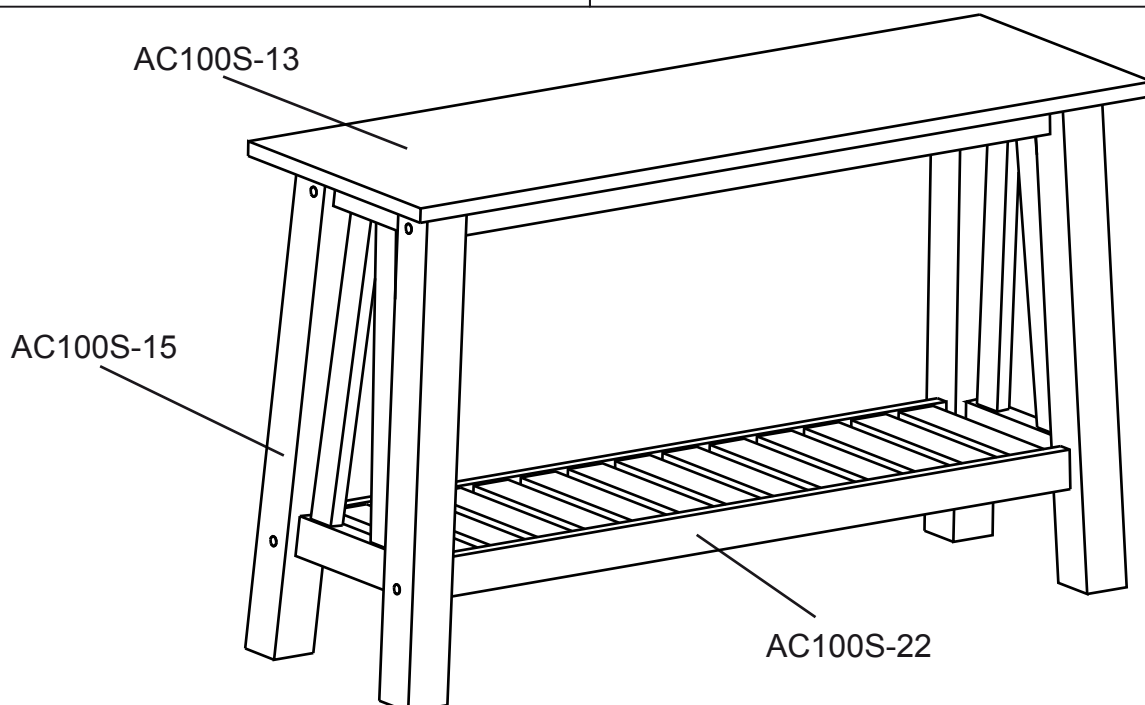
This product will take 15-20 minutes to assemble.

Reminders

1. Use only the hardware supplied.
2. Once the product is assembled, level and tighten all the bolts.
3. Do not over-tighten bolts.
4. This item may require periodic tightening

NOTE:

1. Two or two people are needed for assembly
2. Please keep all hardware parts out of the reach of children.



WINNERS ONLY Assembly Instructions

AC100S / AE200S / AR200S
50" SOFA TABLE

ASSEMBLY :

STEP 1

- 1.1-Turn the Table Top upside down on a protective surface such as carpet or other soft material
- 1.2-Attach the Trestle Base to the Table Top by inserting the wood dowel on table top into the pre-drilled holes on the Trestle Base.
- 1.3-Attach Trestle Base to Table Top **Flat Washer (3)**, **Lock Washer(2)**, **JCBC Bolt(1)** and tightening using **Allen Key(5)**.

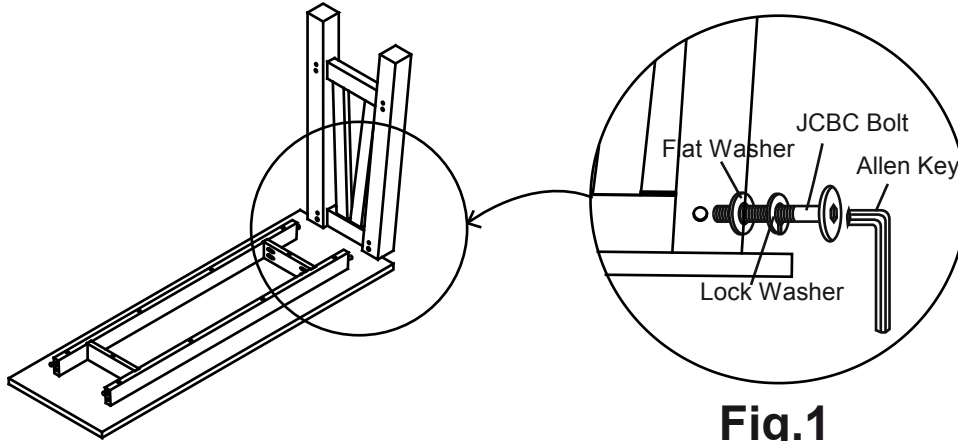


Fig.1

STEP 2

- 2.1-Insert the Fixed Shelf into the Trestle Base by inserting the wood dowel on Fixed Shelf into the pre-drilled holes on the Trestle Base.
- 2.2-Attach Fixed Shelf and, Trestle Base using **Flat Washer (3)**, **Lock Washer(2)**, **JCBC Bolt(1)** and tighten using **Allen Key(5)**.

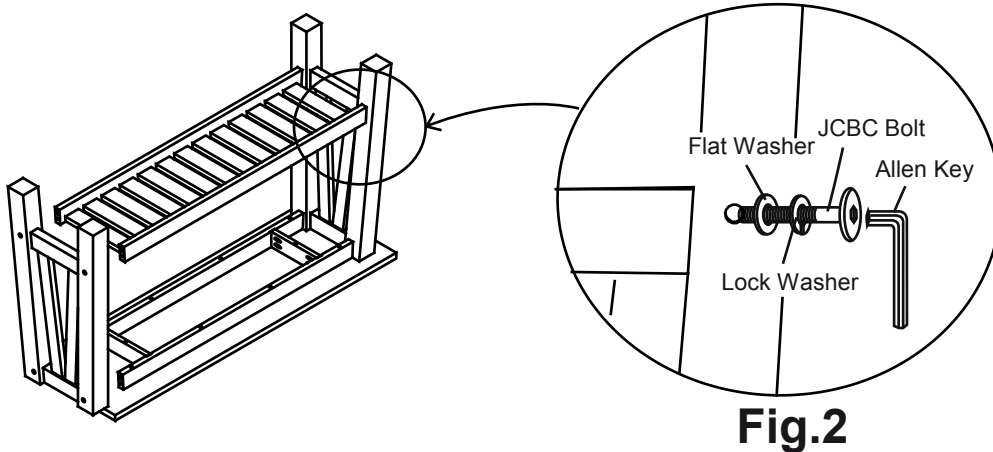


Fig.2

STEP 3

- 3.1- Turn table to upright position.
- 3.2- Once coffee table is fully balance fully tighten all bolts.
- 3.3- Insert **Wood Plug (4)** into the bolts holes on trestle to complete the assembly

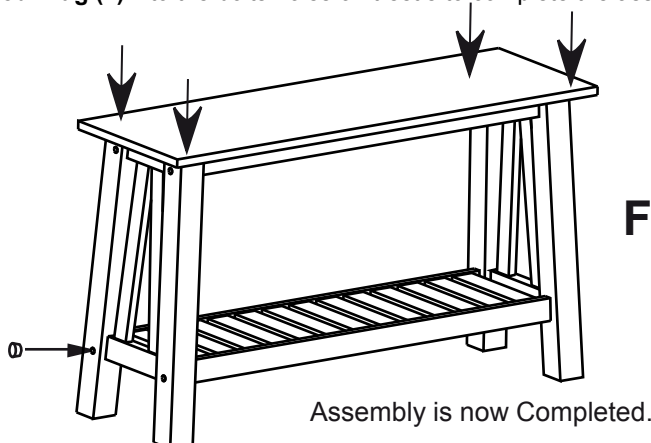


Fig.3

CARE INSTRUCTION

- ~ Be sure to use the same type of polish consistently. Your furniture will appear cloudy or streaky if oil based or wax based polishes are interchanged.
- ~ Spray your furniture surface evenly. Wipe in a circular motion with a soft clean cloth.