

WINNERS ONLY[®] Assembly Instructions

AC100E / AE200E / AR200E
18" END TABLE

ASSEMBLY :

STEP 1

- 1.1-Turn the Table Top upside down on a protective surface such as carpet or other soft material
- 1.2-Insert the three legs into the corner of the apron by insert the **Flat Washer(4)**, **Lock Washer(3)** and **JCBC Bolt(1)** into pre-drilled holes on the corner block and tighten it using **Allen key(5)**.
- 1.3-Insert the Fixed Shelf into the leg assembly, then install the fourth leg using **Flat Washer(4)**, **Lock Washer(3)** and **JCBC Bolt(1)** into pre-drilled holes on the corner block,tighten using **Allen key(5)** .
- 1.4-Insert the **Flat Washer(4)**, **Lock Washer(3)** and **JCBC Bolt(2)** into pre-drilled holes on the corner block of Fixed Shelf and tighten using the **Allen key(5)**.

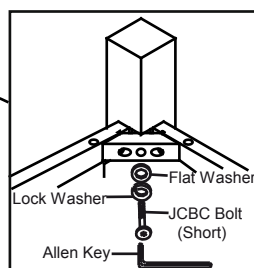
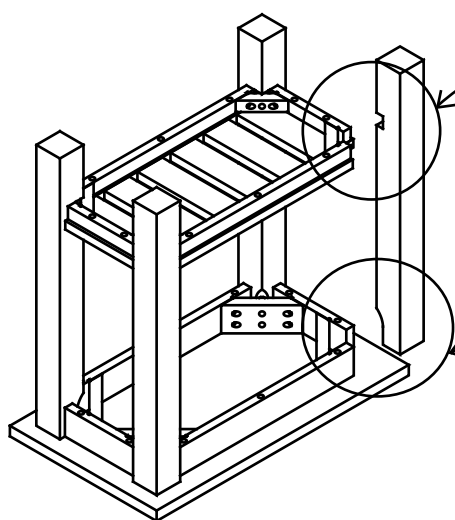


Fig.2

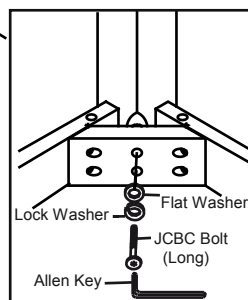
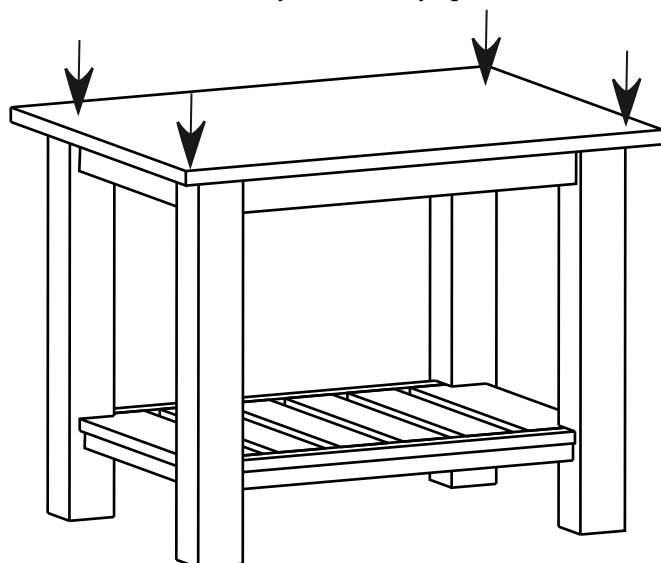


Fig.1

STEP 3

- 2.1- Turn table to upright position.
- 2.2- Once end table is fully balance fully tighten all bolts.



Assembly is now Completed.

CARE INSTRUCTION

- ~ Be sure to use the same type of polish consistently. Your furniture will appear cloudy or streaky if oil based or wax based polishes are interchanged.
- ~ Spray your furniture surface evenly. Wipe in a circular motion with a soft clean cloth.