





WINNERS ONLY[®] Assembly Instructions

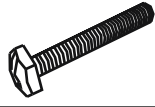




AB100S / APR100S 48" SOFA TABLE WITH 2 DRAWERS

Thank you for purchasing this quality product. Be sure to check all packaging material carefully for small parts that may have come loose inside the carton during shipment.

COMPONENT LIST:

PART NO	FIGURE	DESCRIPTION	QTY
AB100S-01		Hardware Bag	1 pce
AB100S-13		Table Top	1 pce
AB100S-07		Legs	4 pcs
AB100S-22		Fixed Shelf	1 pce

HARDWARE LIST:

PART NO	FIGURE	DESCRIPTION	QTY
1		Hex Bolt	8 pcs
2		Pan Head Screw	4 pcs
3		Lock Washer	8 pcs
4		Flat Washer	8 pcs
5		Wrench	1 pce

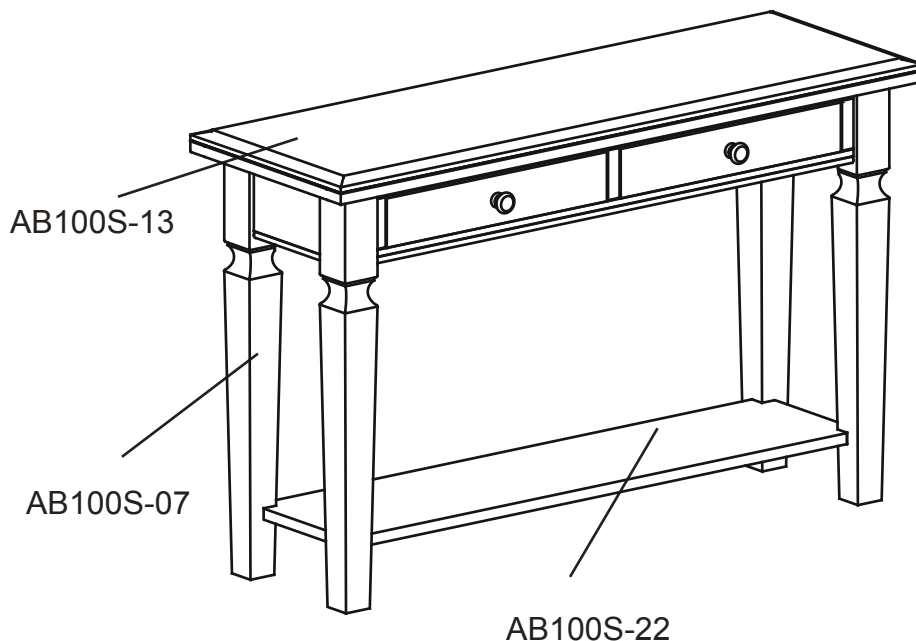
This product will take 15-20 minutes to assemble.

Reminders

1. Use only the hardware supplied.
2. Once the product is assembled, level and tighten all the bolts.
3. Do not over-tighten bolts.
4. This item may require periodic tightening

NOTE:

1. Two or two people are needed for assembly
2. Please keep all hardware parts out of the reach of children.



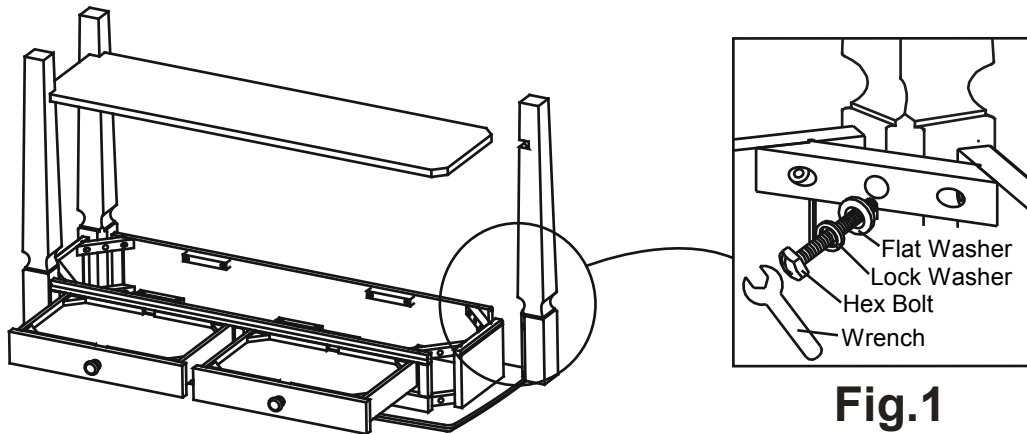
WINNERS ONLY Assembly Instructions

AB100S / APR100S 48" SOFA TABLE WITH 2 DRAWERS

ASSEMBLY :

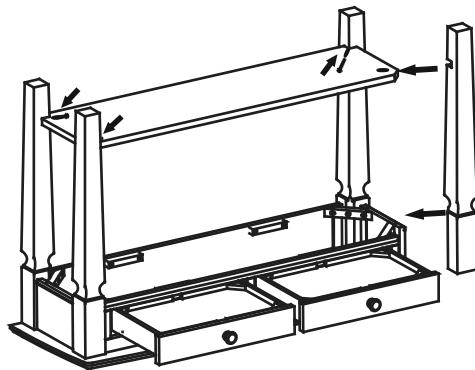
STEP 1

- 1.1-Pull out the Drawer out and Turn the Table Top upside down on a protective surface such as carpet or other soft materials as shown in the Fig1.
- 1.2-Attach three legs randomly to the Table Top Using **Flat Washer(3)**, **Lock Washer(2)**, **Hex Bolt(1)** and **Wrench(4)**.
- 1.3- Do not fully thighten bolts.
- 1.4-Insert the fixed shelf into the 3 legs as shown in the Fig1.



STEP 2

- 2.1-Insert the last leg to the corner of apron frame and Fixed Shelf. Then tighten with **Using Flat Washer(3)**, **Lock Washer(2)** and **Hex Bolt(1)** using the **Wrench(4)** provided.
- 2.2- Insert and tighten the **Pan Head Screw(5)** using a screw-driver (Not included) into the Fixed Shelf to scure Shelf as shown on Fig.2



STEP 3

- 3.1- Turn table to upright position.
- 3.2- Balance table by applying gentle downwards pressure to table Top (B). As shown on fig.3
- 3.3- Once sofa table is fully balance fully thighten all bolts.

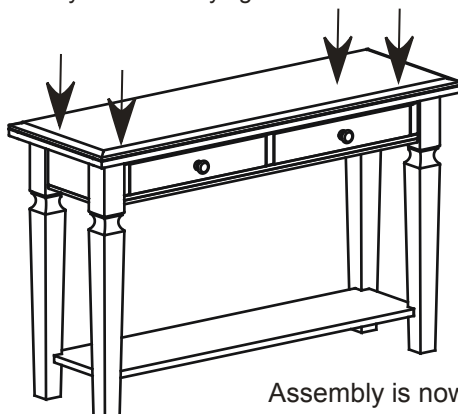


Fig.3

CARE INSTRUCTION

- ~ Be sure to use the same type of polish consistently. Your furniture will appear cloudy or streaky if oil based or wax based polishes are interchanged.
- ~ Spray your furniture surface evenly. Wipe in a circular motion with a soft clean cloth.