



**Liberty Furniture**  
INDUSTRIES, INC

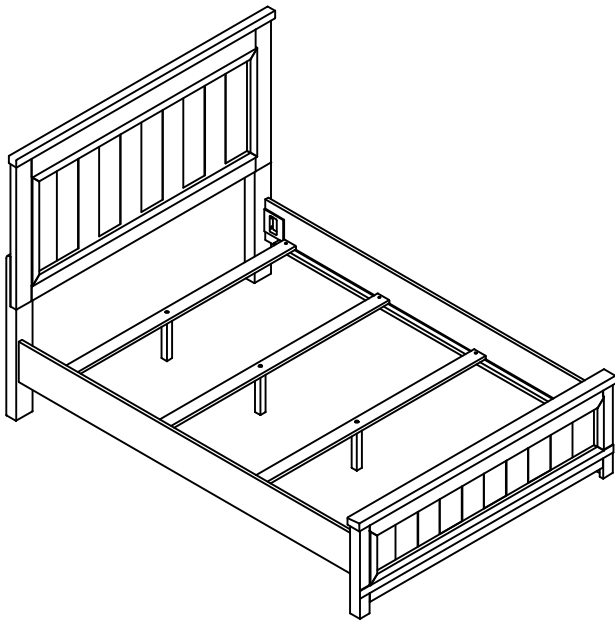
# LIBERTY FURNITURE

## ASSEMBLY INSTRUCTION

ITEM # 759-BR17  
759-BR18  
759-BR89

DESCRIPTION : FULL PANEL HEADBOARD  
FULL PANEL FOOTBOARD  
TWIN/FULL PANEL RAILS

Thank you for purchasing this quality product. Be sure to check all packing material carefully for small parts, which may have come loose inside the carton during shipment. Identify and count all parts and compare with the parts list below.

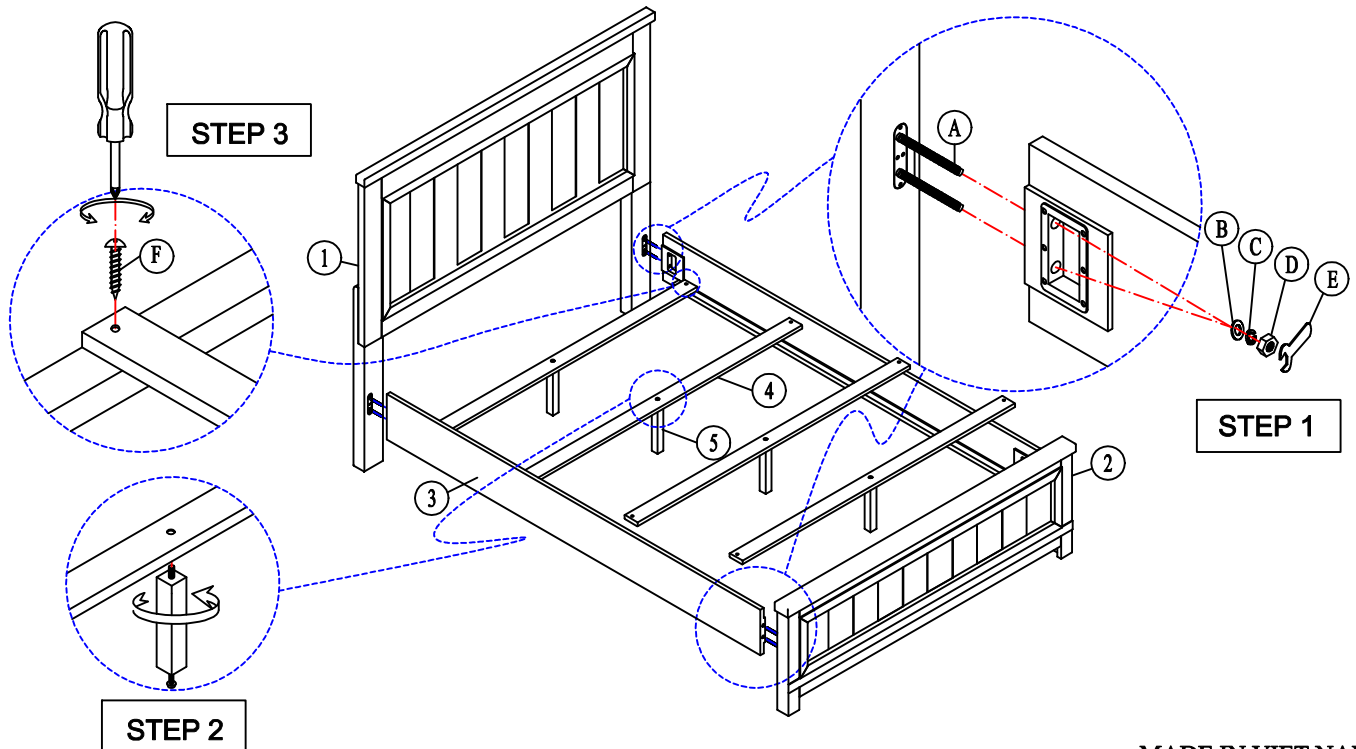


### PARTS LIST

NO	SKETCH	DESCRIPTION	Q'TY
1		Upholstered Headboard	1 pc
2		Footboard	1 pc
3		Side Rail	2 pcs
4		Slat	4 pcs
5		Support Leg	4 pcs

### HARDWARE LIST

NO	SKETCH	DESCRIPTION	SIZE	Q'TY
A		Hanger Bolt	5/16"x 76mm	8 pcs
B		Flat Washer	5/16"x19x2mm	8 pcs
C		Spring Washer	5/16"	8 pcs
D		Hexagon Nut	5/16"x12x12mm	8 pcs
E		Allen Wrench	12.8mm	1 pc
F		Screw	M4x1"	8 pcs



MADE IN VIET NAM