

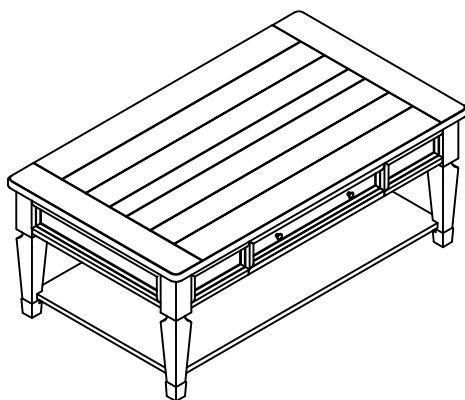


ITEM#: 417-OT1010

DESCRIPTION: RECTANGULAR COOKTAIL TABLE

Thank you for purchasing this quality product. Be sure to check all packing material carefully for small parts, which may have come loose inside the carton during shipment. Identify and count all parts and compare with the parts list below.

COMPLETED:



PARTS LIST

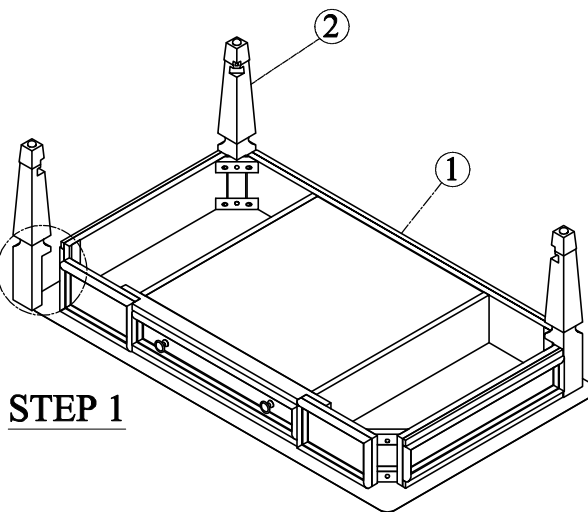
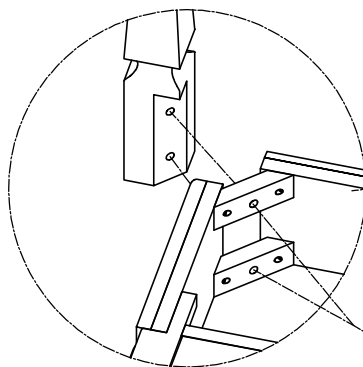
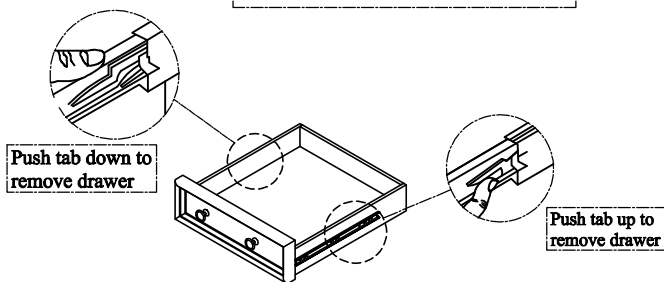
NO	DRAWING	DESCRIPTION	Q'TY
1		Table Top	1
2		Leg	4
3		Bottom Panel	1

HARDWARE LIST

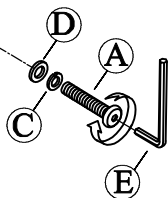
NO	DRAWING	DESCRIPTION	Q'TY
A		Bolt Ø5/16"-18*50mm(L)	8
B		Bolt Ø1/4"-20*15mm(L)	4
C		Spring Washer Ø5/16"*Ø13mm	8
D		Flat Washer Ø5/16"*Ø16mm	8
E		Allen Key 4mm	1

HOW TO REMOVE DRAWER

To remove drawer, simultaneously pull tab up on one side and push down on the other and remove drawer.



STEP 1





ITEM#: 417-OT1010

DESCRIPTION: RECTANGULAR COOKTAIL TABLE

Thank you for purchasing this quality product. Be sure to check all packing material carefully for small parts, which may have come loose inside the carton during shipment. Identify and count all parts and compare with the parts list below.

