



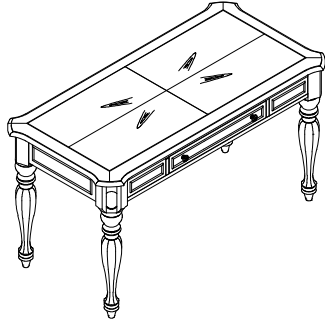
Liberty Furniture INDUSTRIES, INC

ASSEMBLY INSTRUCTION

ITEM#: **244 -HO109**

DESCRIPTION: **LIFT TOP WRITING DESK**

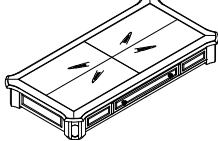

Thank you for purchasing this quality product. Be sure to check all packing material carefully for small parts which may have come loose inside the carton during shipment. Identify and count all parts and compare with the parts List Below:



Note:

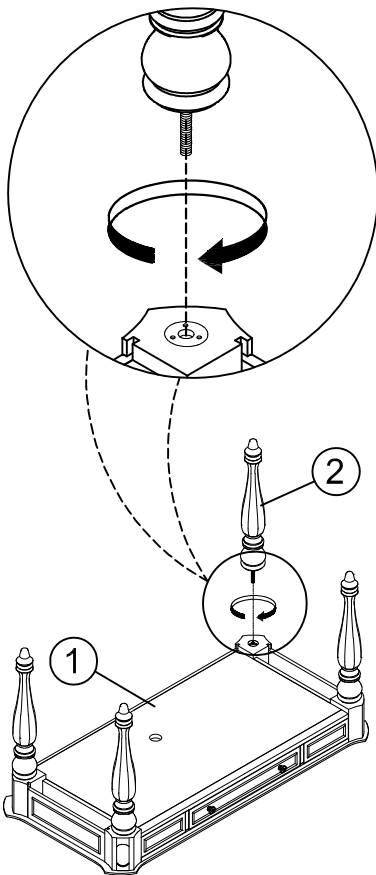
1. Remove legs from inner box

PART LIST:

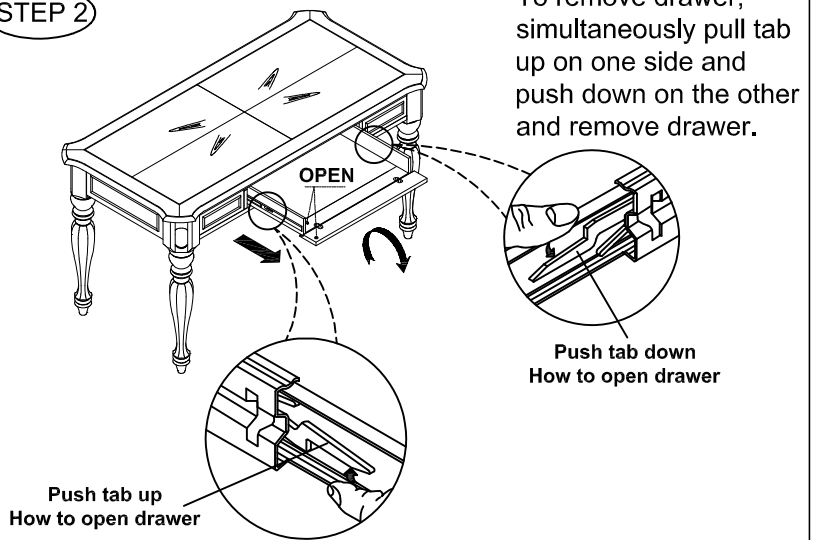
	
TABLE TOP: 1PC	LEGS: 4PCS

HOW TO REMOVE DRAWER

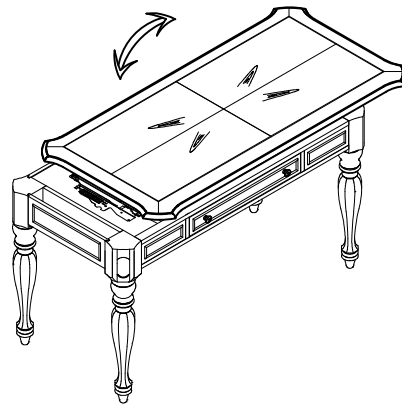
STEP 1



STEP 2



STEP 3



CLEANING INSTRUCTION

Clean the Lift Top Writing Desk surface with a furniture polish and a soft cloth.

Made in VietNam