



**Liberty Furniture**  
INDUSTRIES, INC

DOC. NO : RD-F05-AT  
REV. NO : A  
REV. DATE : 23.08.2017

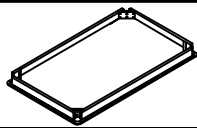
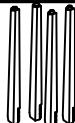
# LIBERTY FURNITURE



## ASSEMBLY INSTRUCTION

ITEM # : 198-T3253

DESCRIPTION : RECTANGULAR LEG TABLE

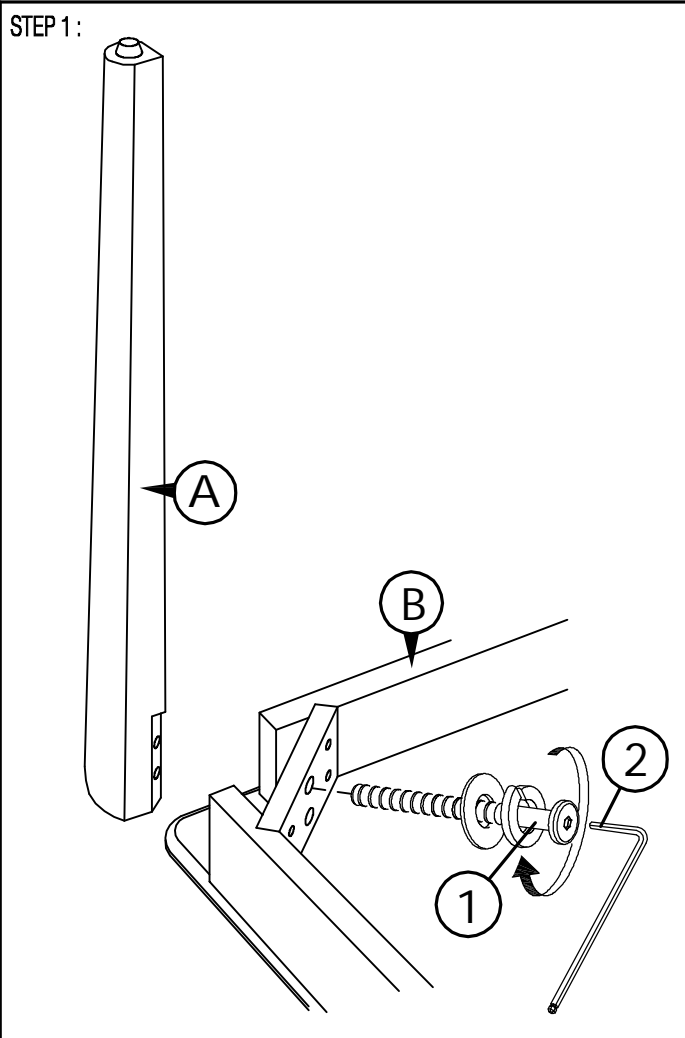
Thank you for purchasing this product. Be sure to check all packing material carefully for small parts which may have come loose inside the carton during shipment. Identify and count all parts and compare with the parts list below:

Component List		
NO.	Description	Qty.
A.	Top Panel 	1
B.	Table Top 	4

Hardware List		
NO.	Description	Qty.
1	JCBB Bolt M8 x 70mm + S/W 5/16" + F/W 5/16" x 22mm 	8
2	Allen Key M5 	1



RECTANGULAR LEG TABLE



### ASSEMBLY TIPS:

1. Remove hardware from box end sort by size.
2. Please check to see that all hardware and parts are present prior start of assembly.
3. Please follow attached instructions in the same sequence as numbered to assure fast and easy assembly.

### WARNING!

1. Don't attempt to repair or modify parts that are broken or defective. Please contact the store immediately.
2. This product is for home use only and not intended for commercial establishments.