



**ITEM #** 179-DAY-RACK **DESCRIPTION** Metal Day Bed Rack

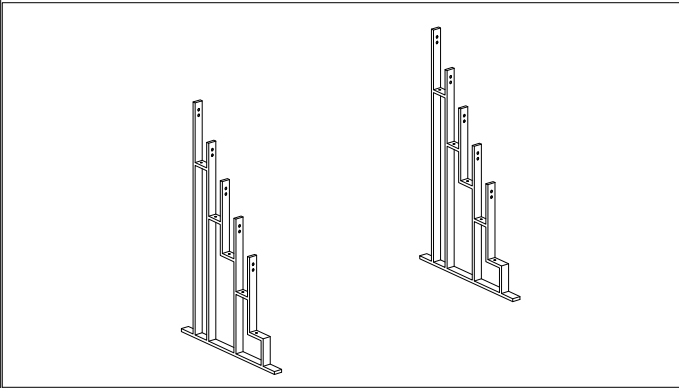
Thank you for purchasing this quality product. Be sure to check all packing material carefully for small parts which may have come loose inside the carton during shipment. Identify and count all parts and compare with the parts list below:

### PARTS LIST

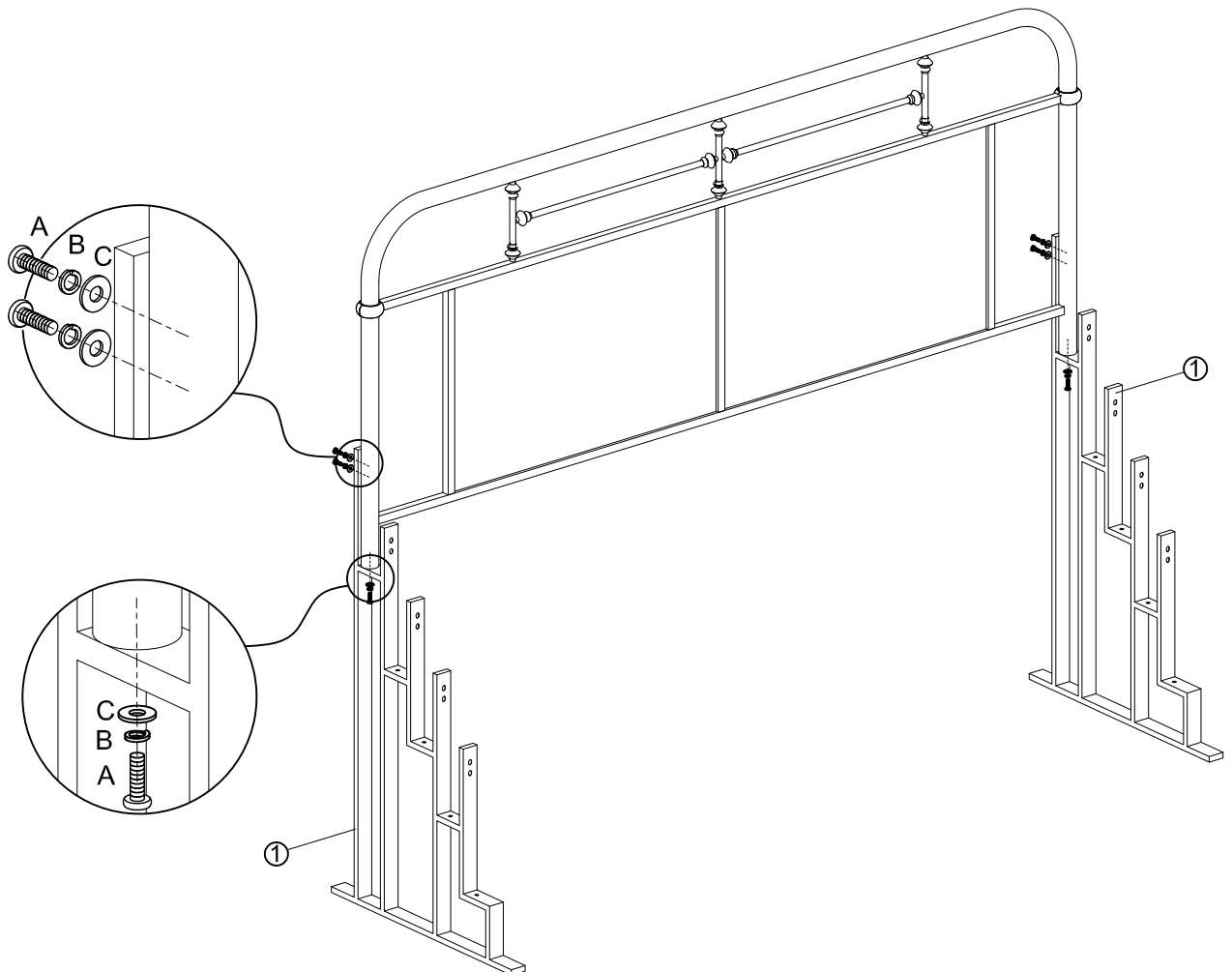
①		METAL DAY BED RACK	2PCS
---	--	--------------------	------

### HARDWARE LIST (EACH HEADBOARD)

NO.	SKETCH	HARDWARE	Q'TY
A		Bolt: $\varnothing 1/4" * 1-1/4"$	6PCS
B		Spring Washer: $\varnothing 1/4"$	6PCS
C		Flat Washer: $\varnothing 1/4"$	6PCS



### ASSEMBLY STEP



NOTE: 1. PLEASE USE HARDWARE INCLUDED IN BED PACKAGE.

2. DO NOT TIGHTEN ALL THE BOLTS UNTIL THEY ARE INSTALLED IN CORRESPONDING HOLES!