

ITEM#: 175-BR21HF / BR21R

DESCRIPTION : Queen Sleigh HB & FB(RTA)/ Rails

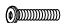




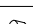
Thank you for purchasing this quality product. Be sure to check all packing material carefully for small Hardware which may have come loose inside the carton during shipment. Identify and count all Hardware and compare with the Hardware List Below.

PART LIST





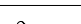
| No. | Descriptions | Qty. |
|-----|---|-------|
| ① | Headboard Panel (Packed separately) | 1 Pc |
| ② | Headboard Bed Post(Packed inside HB & FB) | 2 Pcs |
| ③ | Footboard Panel (Packed separately) | 1 Pc |
| ④ | Footboard Bed Post(Packed inside HB & FB) | 2 Pcs |
| ⑤ | Bed Rail (Packed separately) | 2 Pcs |
| ⑥ | Slats (Packed inside Rail) | 3 Pcs |
| ⑦ | Slat support (Packed inside Rail) | 3 Pcs |



HEADBOARD & FOOTBOARD HARDWARE LIST

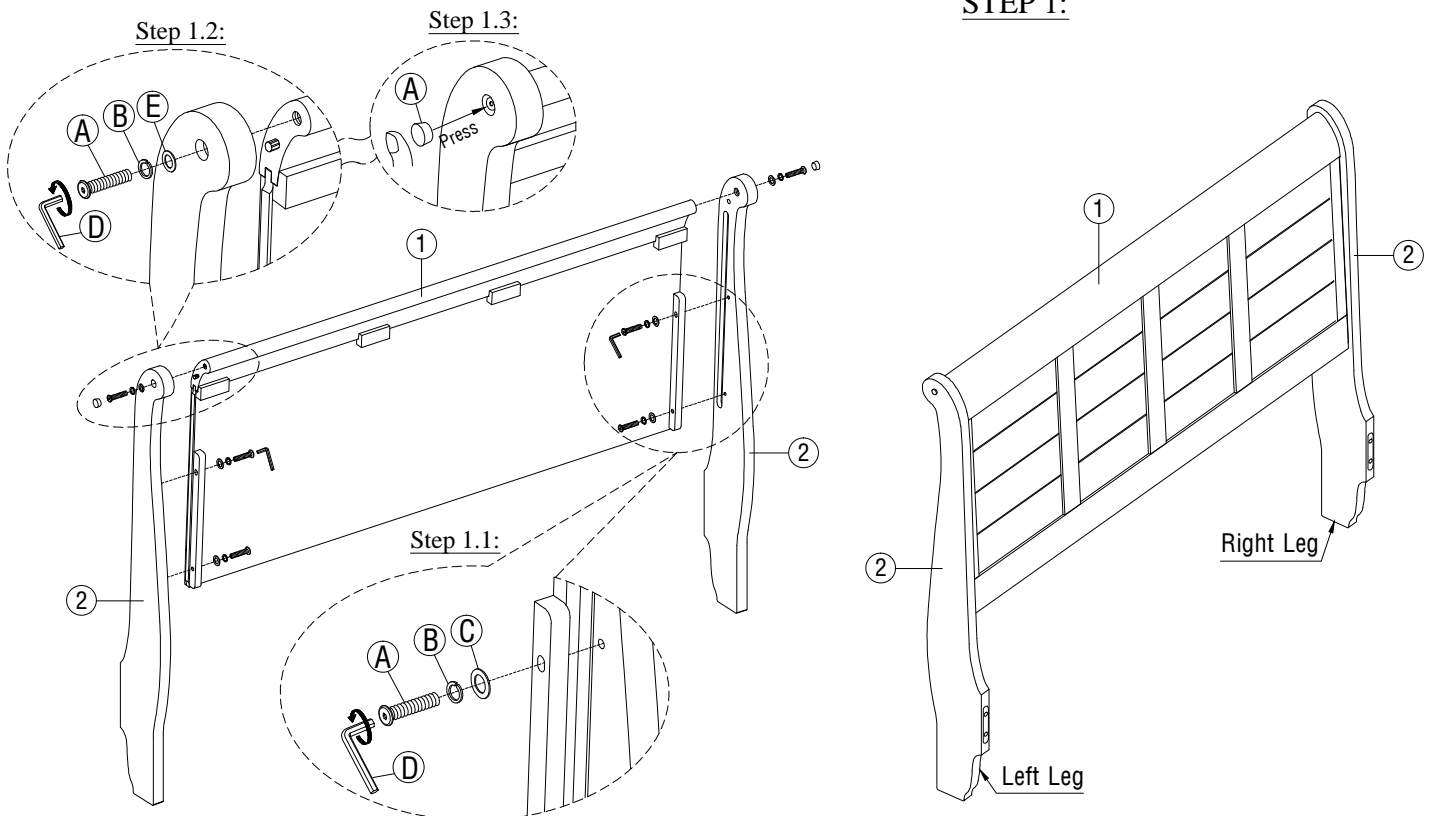
| No. | Descriptions | Hardware | Qty. |
|-----|--------------------------------|---|--------|
| Ⓐ | JCBC Screw Ø1/4" x 38mm |  | 12 Pcs |
| Ⓑ | Spring Washer Ø1/4" |  | 12 Pcs |
| Ⓒ | Flat Washer Ø1/4" x 19mm x 1mm |  | 8 Pcs |
| Ⓓ | Allen Key |  | 1 Pc |
| Ⓔ | Flat Washer Ø1/4" x 13mm x 1mm |  | 4 Pcs |
| Ⓕ | Wood Button |  | 4 Pcs |

RAILS HARDWARE LIST

| No. | Descriptions | Hardware | Qty. |
|-----|-----------------------------|---|-------|
| Ⓖ | Hanger bolt Ø5/16" x 3 1/2" |  | 8 Pcs |
| Ⓗ | Hexagon nut Ø5/16" |  | 8 Pcs |
| Ⓘ | Spring Washer Ø5/16" |  | 8 Pcs |
| ⓵ | Wrench Ø5/16" |  | 1 Pc |
| Ⓚ | Screw M4 x 32mm |  | 6 Pcs |

ASSEMBLY STEP HEADBOARD

STEP 1:

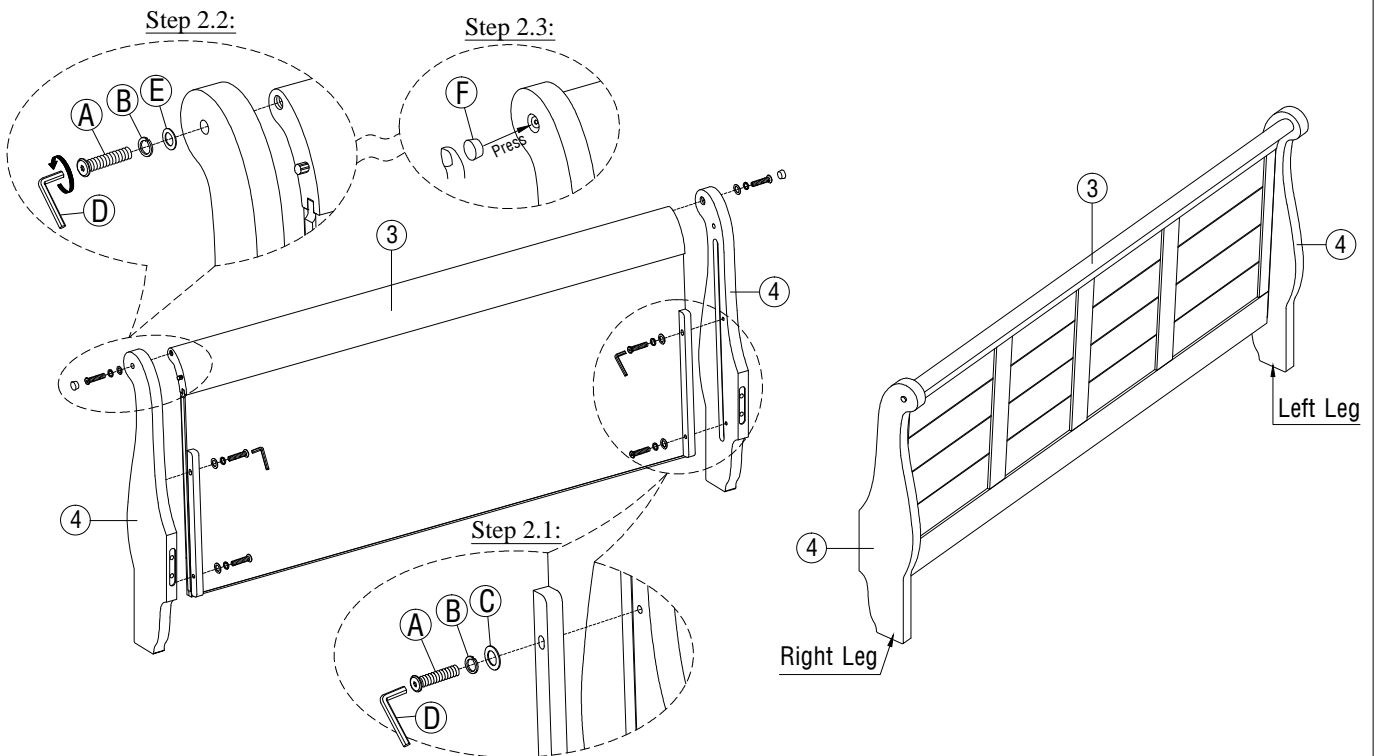


ITEM#: 175-BR21HF / BR21R

DESCRIPTION : Queen Sleigh HB & FB(RTA)/ Rails

ASSEMBLY STEP FOOTBOARD

STEP 2:



ASSEMBLY STEP RAILS

STEP 3:

