



# LIBERTY FURNITURE

## ASSEMBLY INSTRUCTIONS

ITEM#: 171-SR5638

DESCRIPTION: SERVER

Thank you for purchasing this quality product. Be sure to check all packing material carefully for small parts which may have come loose inside the carton during shipment. Identify and count all parts and compare with the parts list below:



### PARTS LIST

NO.	SKETCH	PARTS	Q'TY
1		SERVER	1PC
2		LEGS	4PCS
3		SHELF	1PC

4

### ASSEMBLY HARDWARE PACK

NO.	SKETCH	HARDWARE	Q'TY
A	1/4" x 60mm	BOLT	8PCS
B	5/16" x 13mm	LOCK WASHER	8PCS
C	5/16" x 19mm	FLAT WASHER	8PCS
D	4mm	ALLEN KEY	1PC
E	#4X38mm	SCREW	4PCS
F		TIPPING RESTRAINT	1SET
G		PHILLIPS SCREWDRIVER	NOT PROVIDED



**Liberty Furniture**  
INDUSTRIES, INC

# LIBERTY FURNITURE

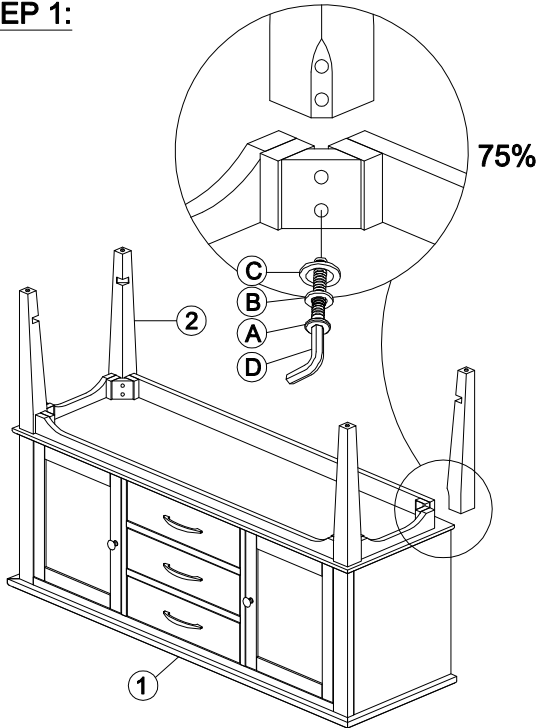
## ASSEMBLY INSTRUCTIONS

ITEM#: 171-SR5638

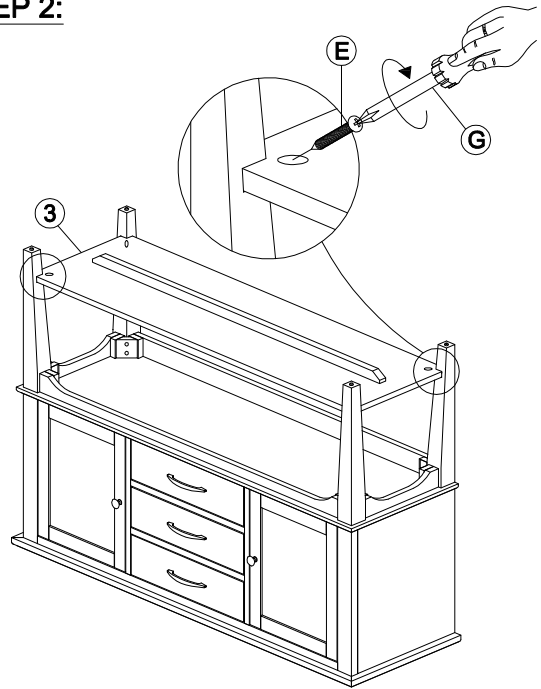
DESCRIPTION: SERVER

Thank you for purchasing this quality product. Be sure to check all packing material carefully for small parts which may have come loose inside the carton during shipment. Identify and count all parts and compare with the parts list below:

### STEP 1:

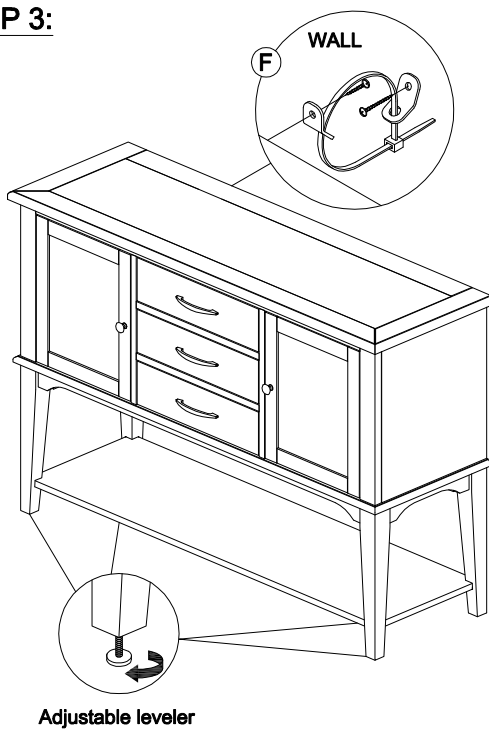


### STEP 2:



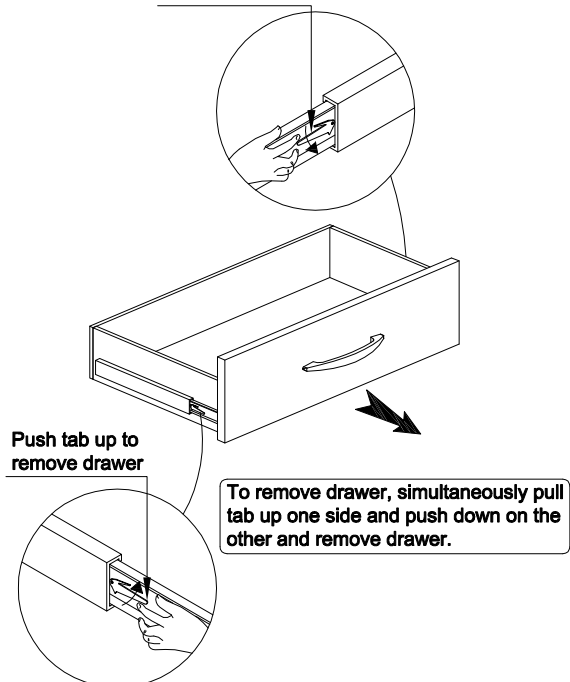
**Note:** Fully tighten step 1 with allen key.

### STEP 3:



Adjustable leveler

Push tab down to  
remove drawer



Push tab up to  
remove drawer

To remove drawer, simultaneously pull  
tab up one side and push down on the  
other and remove drawer.