



IMPORTANT SAFETY NOTICE: READ CAREFULLY BEFORE BEGINNING ASSEMBLY!

- * Always use proper tools.
- * Follow the assembly steps in order. Do not skip any steps.
- * Be sure to check all packing materials carefully for small parts may have come loose inside the carton during shipment. If parts are missing, contact the retailer from which you purchased the product to obtain any missing parts. **DO NOT USE SUBSTITUTE PARTS.**
- * Periodically check to ensure that all connectors (bolts, screws, etc.) are tight.
- * Keep the instructions for future reference.
- * Some assembly may involve attaching glass or mirrors. Be very careful handling the glass or mirrors, as severe injury may result if the glass or mirror breaks. Never handle large pieces of glass or mirrors by yourself.
- * When assembling products that have electric cords (lamps, light, etc.), always (1) make sure the electrical cord is unplugged before assembly and (2) be careful not to twist the electrical cord during assembly.
- * When assembling shelves or entertainment centers, do not stand on lower shelves in order to assemble upper shelves-use a step ladder.
- * Do not stand on tables, including but not limited to, end tables, coffee tables, and dinner tables, as tables are not to support the weight of a person.
- * Where assembly instructions state that the assembly requires two or more people, do not attempt by yourself as there is a risk of injury.

NOTE: ASHLEY FURNITURE INDUSTRIES, LLC DISCLAIMS ANY LIABILITY FOR DAMAGES OR INJURIES WHICH MAY OCCUR DUE TO FAILURE TO PROPERLY FOLLOW ASSEMBLY INSTRUCTIONS, PROPERLY ASSEMBLE THE PRODUCT, OR PROPERLY USE THE PRODUCT.

NOTE: YOUR UNIT MAY LOOK DIFFERENT IN APPEARANCE FROM THE ONE SHOWN IN THE ILLUSTRATIONS ON THIS INSTRUCTION SHEET.

NOTICIA IMPORTANTE DE SEGURIDAD: LEA CUIDADOSAMENTE ANTES DE COMENZAR A ENSAMBLAR

- * Siempre use las herramientas apropiadas.
- * Siga los pasos de ensamble en orden. No salte ningún paso.
- * Asegúrese de comprobar con cuidado todos los materiales de embalaje en busca de piezas pequeñas que hayan podido desprenderse dentro del cartón durante el envío. Revise la lista de partes. Si faltan partes, comuníquese con el surtidor del cual usted compró el producto para obtener las partes que le faltan. **NO USE PARTES SUSTITUTAS.**
- * Periódicamente revise para asegurarse que todos los conectores (pernos, tornillos, etc.) estén bien apretados.
- * Guarde las instrucciones para referencia futura.
- * Algunos de los ensambles involucran vidrios o espejos. Tenga cuidado al manejar estos vidrios o espejos, ya que puede lesionarse severamente si uno de estos vidrios o espejos se rompe. Nunca maneje piezas grandes de vidrio o espejo sin ayuda.
- * Al armar productos con cables eléctricos (lámparas, luces, etc.), siempre (1) asegúrese que el cable este' desenchufado antes de armar (2) tengacuidado de no doblar el cable al armar.
- * Al armar repisas o centros de entretenimiento, no se pare en las repisas de abajo para armar las repisas de arriba-use una escalera.
- * No se pare en las mesas, incluyendo pero sin límite a, mesas laterales, mesas de centro, mesas de comedor, ya que estas mesas no están diseñadas para soportar el peso de una persona.
- * Si las instrucciones dicen que se debe usar dos o más personas no trate de armarlo solo, ya que corre el riesgo de lastimarse.
- * Adecuado para su uso en interiores (25C)
- * El cable flexible externo o cordón de esta luminaria no pueden ser reemplazados; si el cable está dañado, se destruyó el mobiliario.

NOTA: Las Industrias de Muebles Ashley, LLC no se hace responsable por daños o lesiones que puedan ocurrir por no seguir las instrucciones de ensamblaje correctamente, el ensamble apropiado del producto, o el uso apropiado del mismo

NOTA: LA UNIDAD PUEDE PRESENTAR UNA APARIENCIA DIFERENTE DE LA QUE SE MUESTRA EN LAS ILUSTRACIONES DE LA HOJA DE INSTRUCCIONES.

REMARQUE IMPORTANTE CONCERNANT LA SECURITÉ: LIRE ATTENTIVEMENT AVANT DE COMMENCER LE MONTAGE!

- * Utilisez toujours les outils adaptés.
- * Suivez l'ordre des étapes de montage. N'en sautez aucune.
- * Assurez-vous de vérifier attentivement tous les matériaux d'emballage parce que les petites pièces peuvent se détacher à l'intérieur de la boîte lors de l'expédition. Faites l'inventaire attentif de toutes les pièces. Si une ou plusieurs pièces manquent, contactez votre revendeur pour obtenir les pièces en question. **N'UTILISEZ PAS DE PIÈCES DE SUBSTITUTION.**
- * Vérifiez de temps à autre que tous les connecteurs (boulons, vis, etc.) sont bien serrés.
- * Gardez ces instructions pour pouvoir les consulter ultérieurement.
- * Certaines étapes du montage peuvent nécessiter l'installation de verres ou de miroirs. Soyez extrêmement prudent lors de la manipulation des verres ou des miroirs, car vous pourriez vous blesser gravement si le verre venait à casser. Ne manipulez jamais seul de grands objets en verre ou de grands miroirs.
- * Lors de l'assemblage des produits qui comportent des fils électriques (lampes, lumières, etc.), assurez-vous toujours (1) que le câble électrique est débranché avant de procéder au montage et (2) faites attention à ne pas secouer le câble électrique pendant le montage.
- * Lors du montage des étagères ou un meuble audio-vidéo, ne vous tenez pas sur les étagères inférieures pour installer les étagères supérieures. Utilisez un escabeau.
- * Ne vous tenez pas sur les tables, ce qui comprend mais pas uniquement, les tables d'extrémité, les tables basses, les tables à dîner, car elles ne sont pas destinées à supporter le poids des personnes.
- * Lorsque les instructions de montage mentionnent que l'installation nécessite deux personnes ou plus, n'essayez pas de monter vous-même le produit, car vous risqueriez de vous blesser.

REMARQUE: ASHLEY FURNITURE INDUSTRIES, LLC NE SE TIENT AUCUNEMENT RESPONSABLE DE TOUT DOMMAGES OU BLESSURES DUS AU NON RESPECT DES INSTRUCTIONS DE MONTAGE ET D'UTILISATION DU PRODUIT.

REMARQUE: VOTRE MEUBLE PEUT ETRE DIFFERENT DE CELUI MONTRE SUR L'ILLUSTRATION DE CETTE FEUILLE D'INSTRUCTIONS.

重要安全提示：组装家具前请仔细阅读以下指南！

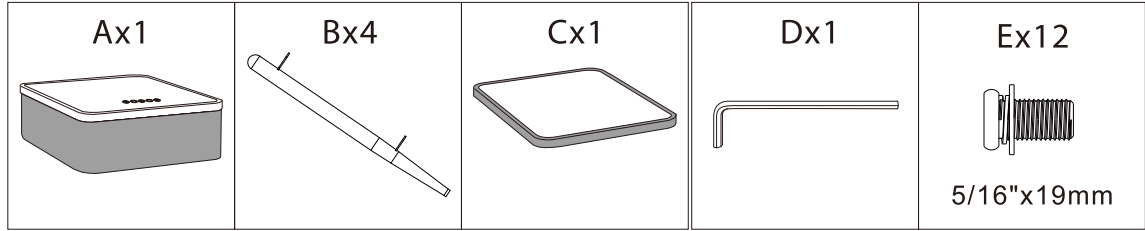
- * 请使用合适的工具进行组装。
- * 按照组装步骤逐步完成，请勿跳过任一步骤。
- * 由于小的零部件有可能在运输过程中散落于包装箱内，请仔细检查包装材料。如若发现部件丢失，请及时联系当地零售商以获取丢失部件。请勿用其它零部件替代。
- * 定期检查以确保所有连接处（螺丝，螺杆等）均已拧紧。
- * 请妥善保管该安装说明，以备将来需要时参考。
- * 当产品中用到玻璃和镜子，安装时请小心操作，以防玻璃或镜子破碎造成伤害。请勿独自安装大块玻璃或者镜子。
- * 对于附有电线的产品（台灯，立灯等），安装时请确保以下两点：
 1. 安装之前确保电源断开。
 2. 安装过程中请勿扭曲电线。
- * 安装隔板或者电视柜时，请勿站在低层隔板上安装上层隔板，使用梯子进行安装。
- * 请勿站立在茶几，边几或者餐桌之类的桌子上，这些桌子不能够支撑人体重量。
- * 组装说明中一旦提及某一安装需要两到多人完成，请不要尝试独自安装，这样可能会对您人身安全构成威胁。

注意：对于未能严格按照组装说明书组装，未能正确组装产品，或者未能正确使用产品而造成的损失或伤害，Ashley Furniture Industries, LLC 将不负法律责任。

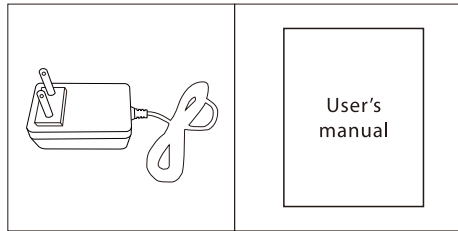
家具的表面油漆涂层需要恰当保养，为避免灰尘，请定期清洁和抛光家具。

注意：您所购买的产品与该组装说明书中配图在外观上可能会有差异。

Accent Table

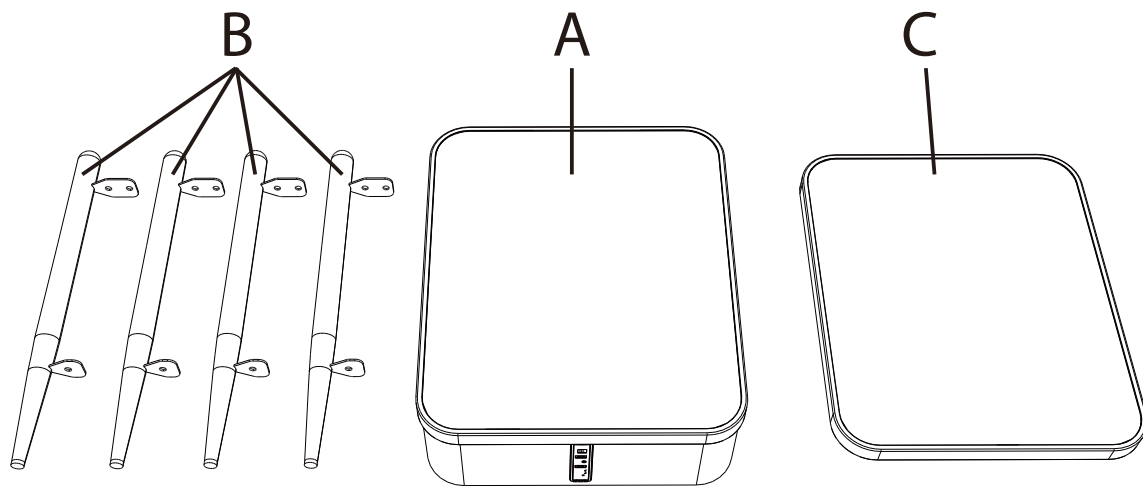
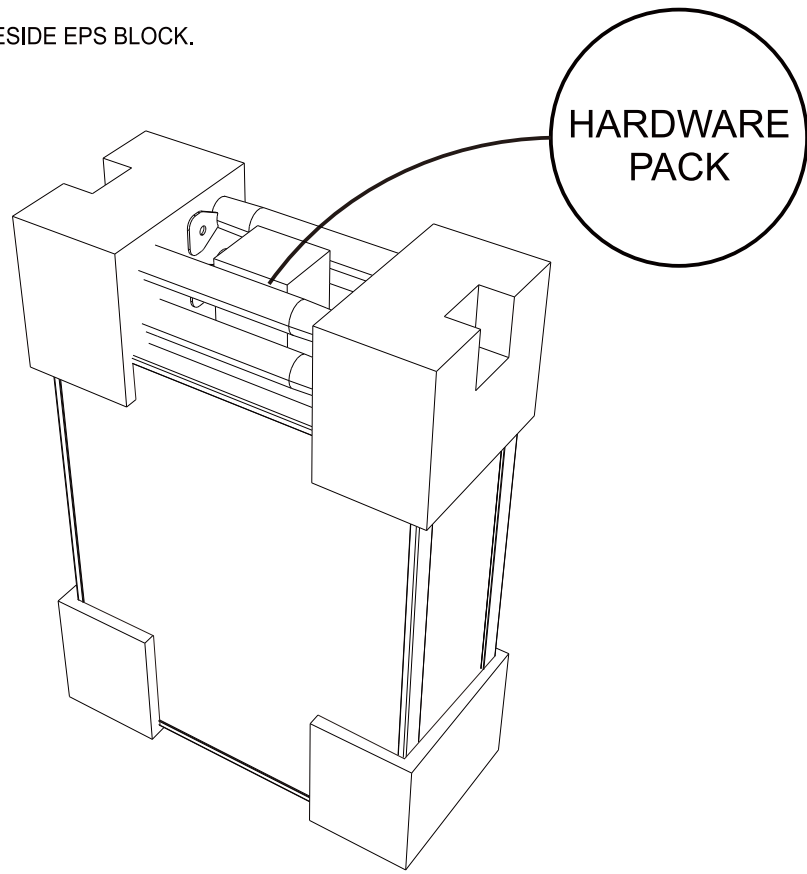


Includes

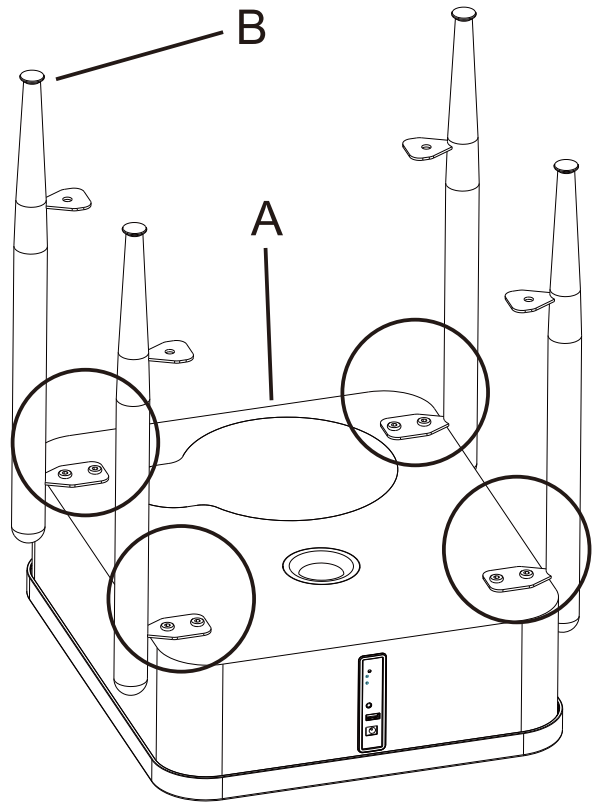
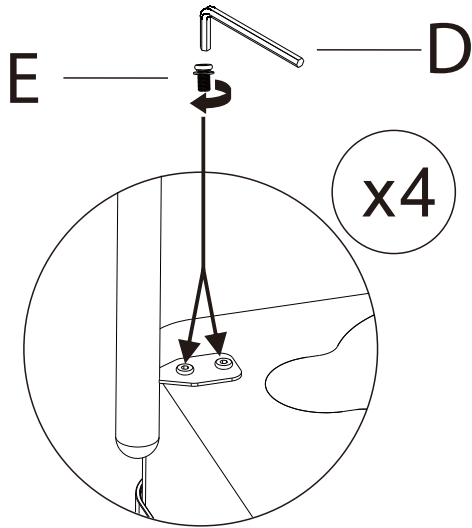
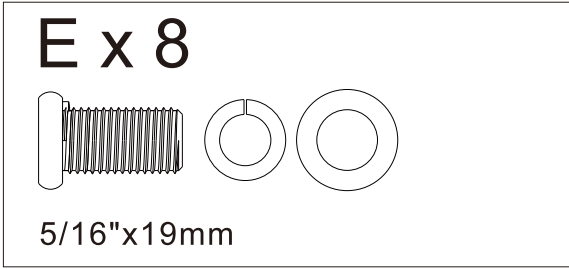


- ⚠ NOTE: UNIT SHOULD BE ASSEMBLED BY TWO OR MORE PEOPLE. DO NOT TIGHTEN ANY BOLTS UNTIL ALL BOLTS HAVE BEEN STARTED!
- ⚠ NOTA: ¡ESTA UNIDAD DEBE SER ARMADA POR 2 O MAS PERSONAS! NO APRIETE NINGUN PERNO HASTA QUE TODOS ESTEN EN SU LUGAR!
- ⚠ REMARQUE: LE MEUBLE DOIT ETRE ASSEMBLÉ PAR DEUX PERSONNES OU PLUS. NE BLOQUER AUCUNE VIS TANT QUE VOUS N'AVEZ PAS COMMENCE A TOUTES LES DEMARRER!
- ⚠ 注意：产品应由两个或者两个以上的人员组装。在产品组装过程中，不要锁紧螺栓！

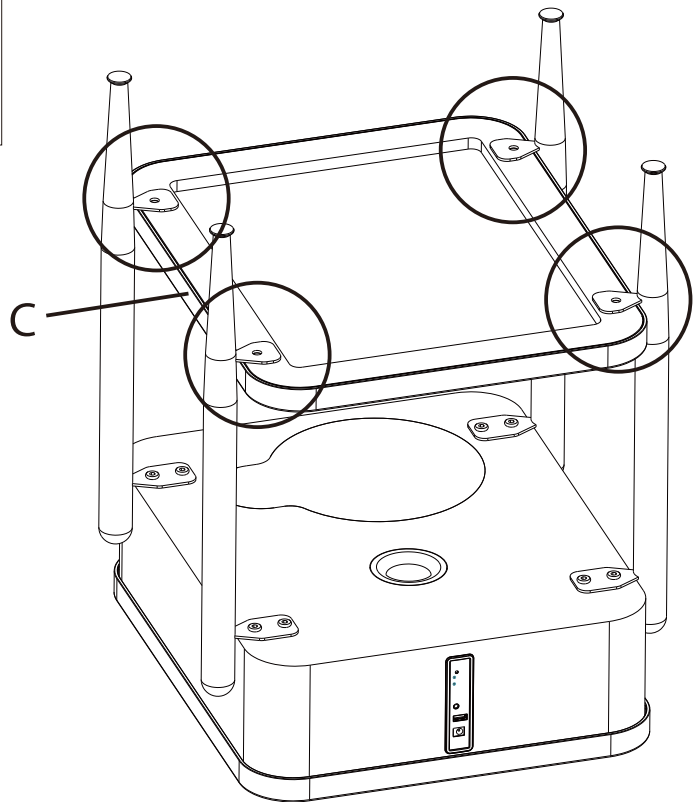
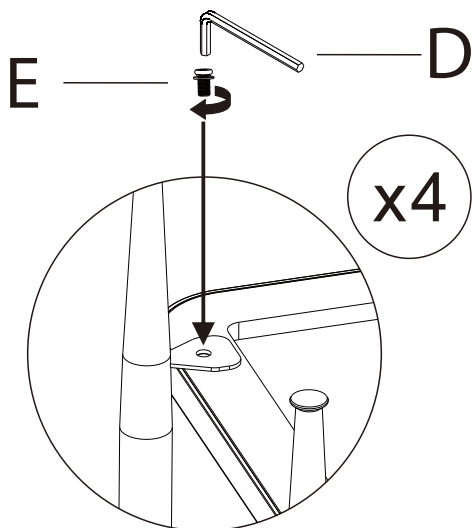
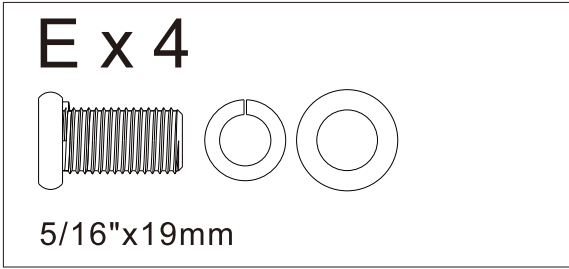
NOTE: HARDWARE ARE STORED BESIDE EPS BLOCK.



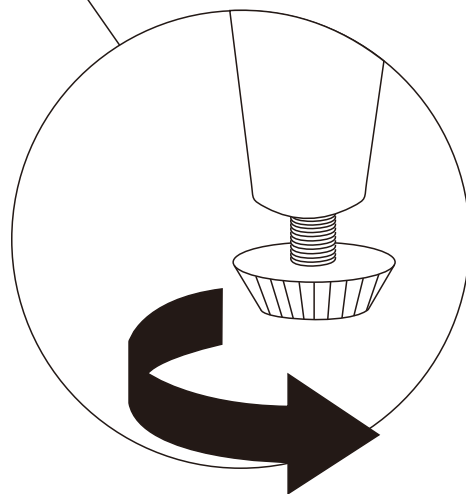
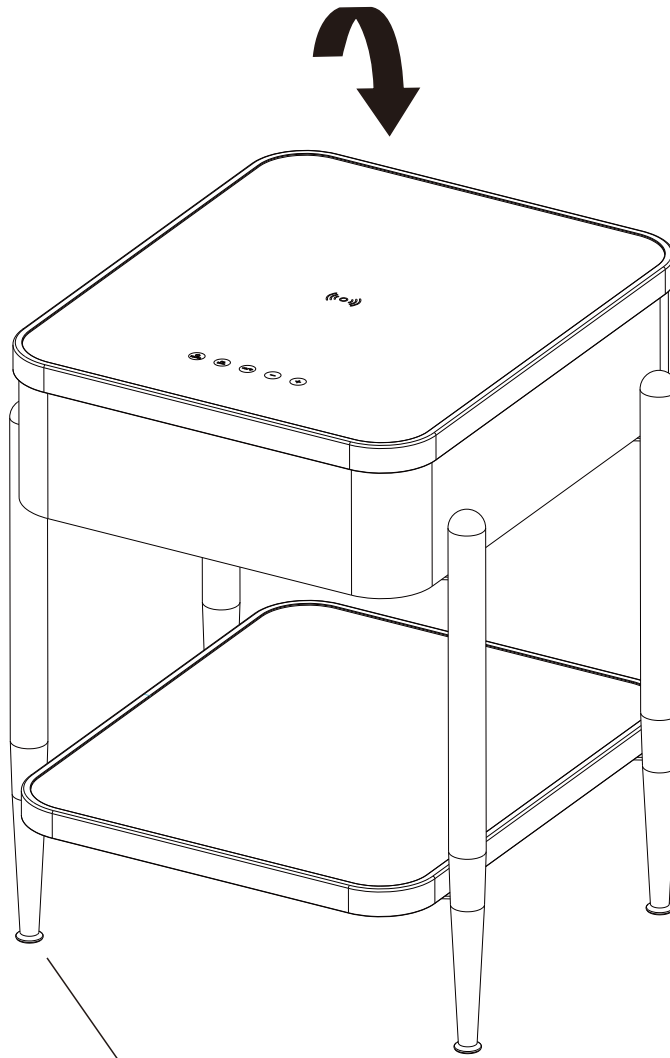
1



2



3



Important Safety Instructions

- Read these Instructions.
- Keep these Instructions.
- Heed all Warnings.
- Follow all instructions.
- Do not use this apparatus near water.
- Clean only with a dry cloth.
- Do not block any ventilation openings. Install in accordance with the manufacturer's instructions.
- Do not install near any heat sources such as radiators, heat registers, stoves, or other apparatus (including amplifiers) that produce heat.
- Do not defeat the safety purpose of the polarized or grounding - type plug. A polarized plug has two blades with one wider than the other. A grounding type plug has two blades and a third grounding prong. The wide blade or the third prong are provided for your safety. When the provided plug does not fit into your outlet, consult an electrician for replacement of the obsolete outlet.
- Protect the power cord from being walked on or pinched particularly at plugs, convenience receptacles, and the point where they exit from the apparatus.
- Only use attachments/accessories specified by the manufacturer.
- Unplug this apparatus during lightning storms or when unused for long periods of time.
- Refer all servicing to qualified service personnel. Servicing is required when the apparatus has been damaged in any way, such as power-supply cord or plug is damaged, liquid has been spilled or objects have fallen into the apparatus, the apparatus has been exposed to rain or moisture, does not operate normally, or has been dropped.
- Use only with a cart, stand, tripod, bracket, or table specified by the manufacturer, or sold with the apparatus. When a cart is used, use caution when moving the cart/apparatus combination to avoid injury from tip-over.



a residential installation. This equipment generates, uses, and can radiate radio frequency energy and, if not installed and used in accordance with the instructions, may cause harmful interference to radio communications. However, there is no guarantee that interference will not occur in a particular installation. If this equipment does cause harmful interference to radio or television reception, which can be determined by turning the equipment off and on, the user is encouraged to try to correct the interference by one or more of the following measures:

- Reorient or relocate the receiving antenna.
- Increase the separation between the equipment and receiver.
- Connect the equipment into an outlet on a circuit different from that to which the receiver is connected.
- Consult the dealer or an experienced radio/TV technician for help.

Additional Warnings and Precautions

- **CAUTION: TO PREVENT ELECTRIC SHOCK, MATCH WIDE BLADE OF PLUG TO WIDE SLOT, FULLY INSERT.**
- Mains plug is used as disconnect device and it should remain readily operable during intended use. In order to disconnect the apparatus from the mains completely, the mains plug should be disconnected from the mains socket outlet completely.
- **WARNING: Shock hazard - Do Not Open.**
- **CAUTION: Use of controls or adjustments or performance of procedures other than those specified may result in hazardous radiation exposure.**
- **WARNING: Changes or modifications to this unit not expressly approved by the party responsible for compliance could void the user's authority to operate the equipment.**
- **WARNING: Do not place this unit directly onto furniture surfaces with any type of soft, porous, or sensitive finish. As with any rubber compound made with oils, the feet could cause marks or staining where the feet reside. We recommend using a protective barrier such as a cloth or a piece of glass between the unit and the surface to reduce the risk of damage and/or staining.**
- **WARNING: Do not ingest battery, chemical burn hazard.**
- Battery shall not be exposed to excessive heat such as sunshine, fire or the like.
- Lithium batteries, like all rechargeable batteries, are recyclable and should be recycled or disposed of according to state and local guidelines. They should never be disposed of in normal household waste and they should never be incinerated, as they might explode. Contact your local government for disposal or recycling practices in your area.



WARNING: To reduce the risk of electric shock, do not remove cover (or back). No user-serviceable parts inside. Refer servicing to qualified service personnel.



The exclamation point within an equilateral triangle is intended to alert the user to the presence of important operating and maintenance (servicing) instructions in the literature accompanying the appliance.



The lightning flash with arrowhead symbol, within an equilateral triangle, is intended to alert the user to the presence of un-insulated "dangerous voltage" within the product's enclosure that may be of sufficient magnitude to constitute a risk of electric shock to persons.



This symbol indicates that this product incorporates double insulation between hazardous mains voltage and user accessible parts.



WARNING : This product can expose you to chemicals including lead, which is known to the State of California to cause cancer. For more information go to: www.P65Warnings.ca.gov This product meets and complies with required Federal product guidelines.

FCC Warnings

Warning: Changes or modifications to this unit not expressly approved by the party responsible for compliance could void the user's authority to operate the equipment.

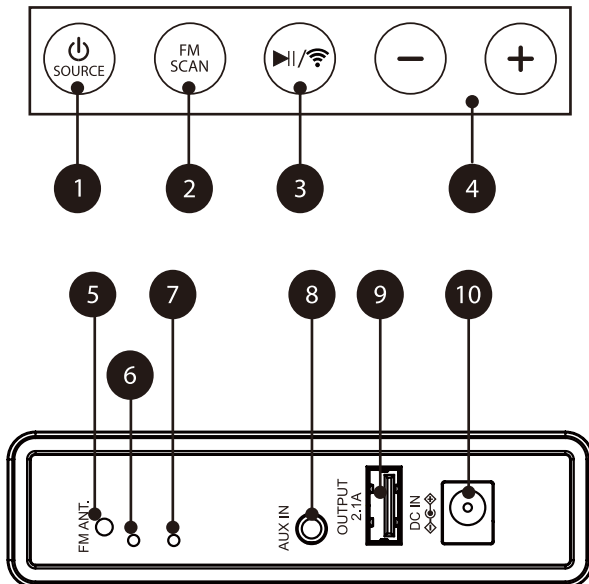
NOTE: This equipment has been tested and found to comply with the limits for a Class B digital device, pursuant to Part 15 of the FCC Rules. These limits are designed to provide reasonable protection against harmful interference in

RF Exposure

The equipment complies with FCC radiation exposure limits set forth for an uncontrolled environment. This device should be installed and operated with minimum distance 20cm between the radiator & your body.

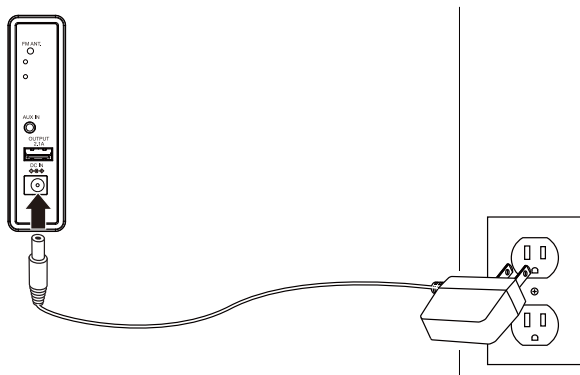
Overview

Control Panel & Inputs



1. **Power/Source:** Press to power ON. Press and hold to power OFF. When power ON, press to change audio source between wireless, FM Radio and Aux in.
2. **FM Scan:** While in FM Radio mode, Press and hold to start auto-scan and save all scanned radio stations.
Party Plus Mode: While in Wireless mode, press and hold to enter Party Plus Mode.
3. **Play/Pause/Pair:** Press to play/pause a track. Press and hold for 3 seconds to manually pair to a Wireless device.
4. **Volume+/-:** Press to raise or lower volume. Press and hold to skip forward or back a track. In FM radio mode, press and hold to cycle through stations.
5. **FM Antenna**
6. **Party Plus LED:** Flashing green while pairing. Solid green when connected.
7. **Power/Source/Wireless LED:**
 - Solid Red: Unit is off.
 - No Light: Unit does not have power.
 - Flashing Blue: Unit is attempting to pair with a wireless device.
 - Solid Blue: Unit is paired with a wireless device.
 - Solid Green: Unit is in Aux in mode.
 - Solid White: Unit is in FM Radio mode.
8. **Aux in (3.5mm Input)**
9. **USB Charging Port**
10. **DC Power Input**

Powering The Speaker



To power the unit, connect the DC power input on the table to a standard power outlet using the included AC/DC power adapter.

Features

- Wireless Audio - range 59 ft.
- FM radio
- Party plus mode(TWS)
- Voice prompts announce speaker functions
- Digital volume control
- 3.5mm Aux in
- USB charging port
- 10W wireless charger

FM Radio

1. First enter into FM radio mode, by pressing the **Power/Source** button. The **Power/Source/Wireless LED** will turn solid white.
2. Press and hold the **FM scan** button to scan and save all available radio stations.
3. Press and hold the **Volume +** and **Volume -** buttons to scan through saved stations.

Wireless Audio

Pairing & Playing Audio

1. When first powered on, the speaker defaults to Wireless Mode and is ready to pair automatically. When pairing, remain within 3 feet of the unit.
2. Using the controls on your Wireless device, select **A4000550** in the Wireless settings to pair. When successfully paired, a voice will announce the connection.
3. Use the controls on the connected Wireless device to select and play audio. Use the speaker controls or the connected Wireless device to play pause, and adjust the volume level.
4. After initial pairing, the speaker will automatically connect to the last Wireless device used whenever it is in Wireless Mode. Note: If your device should become unpaired or you find it is unable to connect, press and hold the **Play** button to enter Pairing Mode. A voice will announce, "Wireless is connecting," and you can connect to the speaker manually.

Party Plus Mode

If you have another **A4000550** table speaker, you can pair and play the two speakers together for a surround sound effect.

1. To enter Party Plus Mode, please make sure the unit is in wireless mode. Press and hold the FM scan button for 3 seconds on one of the tables, then do the same on the other table. Whichever table you activate Party Plus Mode on first is now the primary unit.
2. When the two speakers are paired together a voice will announce the connection.
3. Use your device to select and play tracks. The audio will now be heard through both speakers.
4. To disconnect the speakers, press and hold the FM scan button on one of the two units.

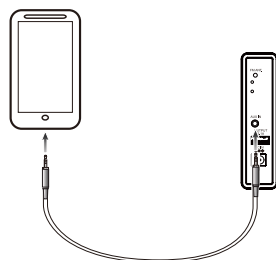
Note: To use Party Plus Mode, please make sure that you connect the speaker before pairing to your Wireless device. You will not be able to connect the speakers if you are already paired to a Wireless device.

Aux In

Requires a 3.5mm audio cable(not included).

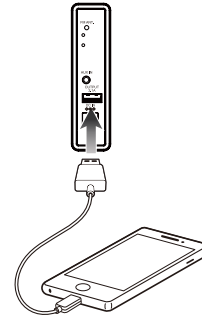
1. Connect a 3.5mm audio cable to the **Aux In** on the unit and the **audio output/headphone jack on an audio device.**
2. Press **Power/Source** to switch to **Aux in** mode.
3. Use the controls on the connected device to select and play audio,

Note: Newer phone models may require an adapter (lightning to 3.5mm headphone adapter for iPhone) or (USB-C to 3.5mm audio adapter) for android.



USB Charging Port

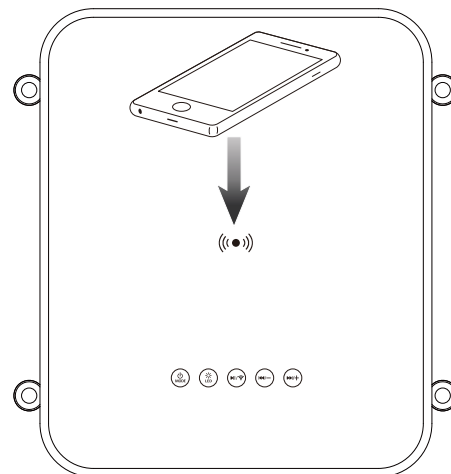
Plug your USB charging cable (not included) into the USB Charging Port on the table and the other end into your device and the device will begin charging.
Note: The USB charging port is for charging mobile devices.



Wireless Charging

Place your phone onto the **Power Pad** to begin charging.

Note: you may need to remove your phone case in order to begin charging.



Consignes de sécurité importantes

- Lisez ces instructions.
- Conservez ces instructions.
- Tenez compte de tous les avertissements.
- Suivez toutes les instructions.
- N'utilisez pas cet appareil à proximité d'un point d'eau.
- Nettoyez l'appareil uniquement avec un chiffon sec.
- N'obstruez pas les ouvertures d'aération. Suivez les instructions d'installation du fabricant.
- N'installez pas l'appareil à proximité de sources de chaleur telles que des radiateurs, des bouches de chaleur, des cuisinières ou d'autres appareils (y compris des amplificateurs) produisant de la chaleur.
- N'essayez pas de contourner le dispositif de sécurité de la fiche polarisée ou de la fiche de terre. Une fiche polarisée possède deux lames dont l'une est plus large que l'autre. Une fiche de type mise à terre possède deux lames et une troisième broche de mise à terre. La lame large ou la troisième broche garantissent votre sécurité. Si la fiche fournie ne rentre pas dans votre prise, consultez un électricien pour remplacer la prise obsolète.
- Placez le cordon d'alimentation de sorte qu'il ne soit ni pincé ni comprimé, en particulier au niveau des fiches, des prises de courant et du point de sortie de l'appareil.
- Utilisez uniquement les pièces/accessoires spécifiés par le fabricant.
- Débranchez cet appareil pendant les orages ou lorsqu'il n'est pas utilisé pendant de longues périodes.
- Confiez toutes les réparations à un technicien qualifié. Une réparation est nécessaire lorsque l'appareil a été endommagé de quelque manière que ce soit ; par exemple si le cordon d'alimentation ou la prise ont été endommagés, si du liquide a été renversé ou si des objets sont tombés dans l'appareil, si l'appareil a été exposé à la pluie ou à l'humidité, s'il ne fonctionne pas normalement ou s'il est tombé.
- Utilisez l'appareil uniquement avec un chariot, un support, un trépied, un tasseau ou une table spécifié par le fabricant ou vendu avec l'appareil. Si vous placez l'appareil sur un chariot, déplacez-le avec prudence pour éviter les blessures en cas de basculement.



raisonnable contre les interférences dangereuses à domicile. Cet équipement génère, utilise et peut émettre de l'énergie de fréquence radio et, s'il n'est pas installé et utilisé conformément aux instructions, peut causer des interférences nuisibles aux communications radio. Cependant, il n'y a aucune garantie que des interférences ne se produiraient pas dans le cas d'une installation particulière. Si cet équipement cause des interférences dangereuses aux réceptions radio ou télévisuelle, ce qui peut être déterminé en éteignant et en rallumant l'équipement, l'utilisateur est encouragé à essayer de corriger l'interférence par une ou plusieurs des mesures suivantes :

- Réorientez ou déplacez l'antenne de réception.
- Augmentez la distance entre l'équipement et le récepteur.
- Connectez l'équipement à une prise sur un circuit différent de celui auquel le récepteur est connecté.
- Consultez le revendeur ou un technicien radio/TV expérimenté pour obtenir de l'aide.

Avertissements et précautions supplémentaires

- **ATTENTION : POUR ÉVITER LES CHOCS ÉLECTRIQUES, INTRODUISEZ COMPLÈTEMENT LA LAME LA PLUS LARGE DE LA FICHE DANS L'ENCOCHE LA PLUS LARGE**
- La fiche secteur permet de mettre l'appareil hors tension et doit rester facilement accessible pendant l'utilisation prévue. Afin de déconnecter complètement l'appareil du secteur, la fiche secteur doit être totalement débranchée de la prise secteur.
- **AVERTISSEMENT :** Risque d'électrocution - Ne pas ouvrir.
- **ATTENTION :** L'utilisation de commandes ou de réglages ou l'exécution de procédures autres que celles spécifiées peut entraîner une exposition à des rayonnements dangereux.
- **AVERTISSEMENT :** Les changements ou modifications apportés à cet appareil non expressément approuvés par l'organisme responsable de la conformité pourraient entraîner la révocation de l'autorisation d'utilisation de l'appareil.
- **AVERTISSEMENT :** Ne placez pas cet appareil directement sur des surfaces de meubles recouvertes de tout type de finition douce, poreuse ou fragile. Comme pour tout composé de caoutchouc fabriqué avec des huiles, les pieds peuvent entraîner la formation de marques ou de taches. Nous vous recommandons d'utiliser une protection, telle qu'un chiffon ou une plaque de verre, entre l'appareil et la surface pour réduire le risque de dommages et/ou de taches.
- **AVERTISSEMENT :** Ne pas ingérer la batterie, risque de brûlure chimique.
- La batterie ne doit pas être exposée à une chaleur excessive telle que les rayons du soleil, des flammes, etc.
- Les piles au lithium, comme toutes les piles rechargeables, sont recyclables et doivent être recyclées ou jetées conformément aux directives nationales et locales. Elles ne doivent jamais être jetées avec les ordures ménagères ordinaires et elles ne doivent jamais être brûlées, car elles pourraient exploser. Contactez votre administration locale pour connaître les pratiques d'élimination ou de recyclage dans votre région.



AVERTISSEMENT : Pour réduire le risque de choc électrique, ne retirez pas le couvercle (ou le dos). Aucune pièce interne ne peut être réparée par l'utilisateur. Confiez toutes les réparations à un technicien qualifié.



Le point d'exclamation dans un triangle équilatéral est destiné à alerter l'utilisateur de la présence d'instructions importantes d'utilisation et de maintenance (réparation) dans la documentation accompagnant l'appareil.



Le symbole de l'éclair avec une pointe fléchée dans un triangle équilatéral est destiné à alerter l'utilisateur de la présence d'une « tension dangereuse » non isolée à l'intérieur du boîtier du produit, qui peut être d'une force suffisante pour présenter un risque d'électrocution.



Ce symbole indique que ce produit intègre une double isolation entre la tension secteur dangereuse et les pièces accessibles à l'utilisateur.



AVERTISSEMENT : Ce produit peut vous exposer à des produits chimiques, dont le plomb, reconnu par l'État de Californie comme étant cancérigène. Pour plus d'informations, rendez-vous sur to.www.P65Warnings.ca.gov. Ce produit respecte et est conforme aux directives fédérales applicables en matière de produits

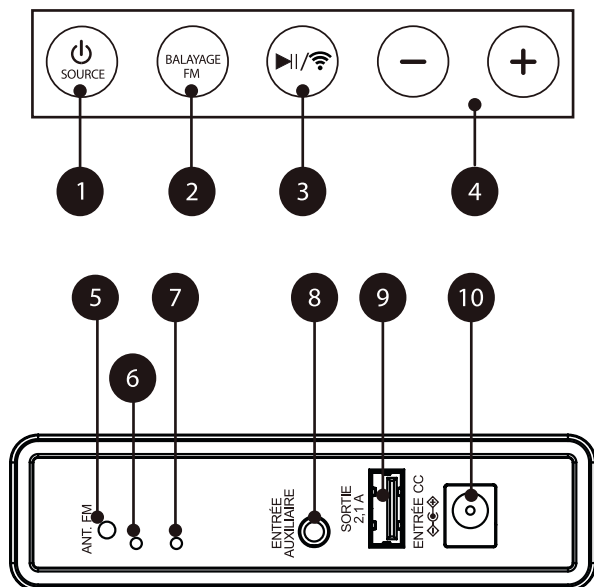
Exposition RF

L'équipement est conforme aux limites d'exposition aux rayonnements de la FCC établies pour un environnement non contrôlé. Cet appareil doit être installé et utilisé en respectant une distance minimale de 20 cm entre le radiateur et votre corps.

Avertissements de la FCC

Avertissement : Les changements ou modifications apportés à cet appareil non expressément approuvés par l'organisme responsable de la conformité pourraient entraîner la révocation de l'autorisation d'utilisation de l'appareil.
REMARQUE : Cet équipement a été testé et déclaré conforme aux normes relatives aux appareils numériques de classe B, conformément à la section 15 du règlement de la FCC. Ces normes sont conçues pour fournir une protection

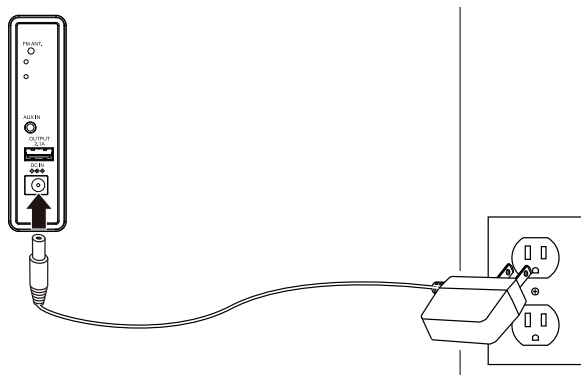
Aperçu



Panneau de configuration et entrées

1. **Alimentation/Source :** appuyez sur ce bouton pour allumer l'appareil. Maintenez le bouton enfoncé pour éteindre l'appareil. Lorsque l'appareil est sous tension, appuyez pour choisir la source audio parmi les options sans fil, radio FM et entrée auxiliaire.
2. **Balayage FM :** en mode radio FM, maintenez le bouton enfoncé pour lancer la recherche automatique et enregistrer toutes les stations de radio recherchées.
Mode Party Plus : en mode sans fil, maintenez le bouton enfoncé pour accéder au mode Party Plus.
3. **Lecture/Pause/Couplage :** appuyez sur ce bouton pour lire ou mettre en pause une piste. Maintenez le bouton enfoncé pendant 3 secondes pour coupler manuellement un appareil sans fil.
4. **Volume +/- :** appuyez sur ces boutons pour augmenter ou diminuer le volume. Maintenez l'un de ces boutons enfoncé pour passer à la piste suivante/précédente. En mode radio FM, maintenez l'un de ces boutons enfoncé pour faire défiler les stations.
5. **Antenne FM**
6. **Voyant Party Plus :** voyant vert clignotant pendant le couplage. Voyant vert fixe lorsqu'il est connecté.
7. **Voyant Alimentation/Source/Sans fil :**
 - Rouge fixe : l'appareil est éteint.
 - Pas de lumière : l'appareil n'est pas branché.
 - Bleu clignotant : l'appareil tente de se coupler avec un appareil sans fil.
 - Bleu fixe : l'appareil est couplé à un appareil sans fil.
 - Vert fixe : l'appareil est en mode entrée auxiliaire.
 - Blanc fixe : l'appareil est en mode Radio FM.
8. **Entrée auxiliaire (entrée 3,5 mm)**
9. **Port de charge USB**
10. **Alimentation CC**

Alimenter l'enceinte



Pour alimenter l'appareil, connectez l'entrée d'alimentation CC de la table à une prise de courant standard à l'aide de l'adaptateur d'alimentation CA/CC fourni.

Fonctionnalités

- Audio sans fil - portée 18 m
- Radio FM
- Mode Party Plus (TWS)
- Annonces vocales des fonctions de l'enceinte
- Contrôle numérique du volume
- Entrée auxiliaire 3,5 mm
- Port de charge USB
- Chargeur sans fil 10 W

Radio FM

1. Entrez d'abord en mode radio FM en appuyant sur le bouton **Alimentation/Source**. Le voyant **Alimentation/Source/Sans fil** devient blanc.
2. Maintenez le bouton **Balayage FM** enfoncé pour rechercher et enregistrer toutes les stations de radio disponibles.
3. Maintenez les boutons **Volume +** et **Volume -** enfoncés pour parcourir les stations enregistrées.

Audio sans fil

Couplage et lecture audio

1. Lors de la première mise sous tension, le haut-parleur passe par défaut en mode sans fil et est prêt à se coupler automatiquement. Lors du couplage, restez à moins de 1 mètre de l'appareil.
2. À l'aide des commandes de votre appareil sans fil, sélectionnez **A4000550** dans les paramètres sans fil pour débiter le couplage. Une fois votre appareil couplé, une voix vous confirme la connexion.
3. Utilisez les commandes de l'appareil sans fil connecté pour sélectionner et lire des pistes. Utilisez les commandes de l'enceinte ou l'appareil sans fil connecté pour mettre en pause une piste et régler le volume.
4. Après le couplage initial, l'enceinte se connecte automatiquement au dernier appareil sans fil utilisé chaque fois qu'elle est en mode sans fil. Remarque : si votre appareil n'est plus couplé ou si vous ne parvenez pas à le connecter, maintenez le bouton Lecture enfoncé pour accéder au mode de couplage. Une voix annonce « Connexion sans fil en cours » et vous pouvez vous connecter manuellement à l'enceinte.

Mode Party Plus

Si vous possédez une autre table enceinte **A4000550**, vous pouvez coupler et utiliser les deux enceintes ensemble pour un effet sonore surround.

1. Pour accéder au mode Party Plus, assurez-vous que l'appareil est en mode sans fil. Maintenez le bouton Balayage FM enfoncé pendant 3 secondes sur l'une des tables, puis faites de même sur l'autre table. La table sur laquelle vous activez le mode Party Plus en premier est désormais l'unité principale.
2. Lorsque les deux enceintes sont couplées, une voix confirme la connexion.
3. Utilisez votre appareil pour sélectionner et lire des pistes. Le son émane désormais des deux enceintes.
4. Pour déconnecter les enceintes, maintenez le bouton Balayage FM enfoncé sur l'un des deux appareils.

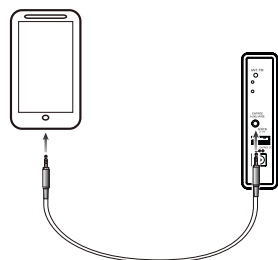
Remarque : pour utiliser le mode Party Plus, assurez-vous de connecter l'enceinte avant de la coupler à votre appareil sans fil. Vous ne pourrez pas connecter les enceintes si vous êtes déjà couplé à un appareil sans fil.

Entrée auxiliaire

Nécessite un câble audio de 3,5 mm (non inclus).

1. Connectez un câble audio de 3,5 mm à l'**entrée auxiliaire** sur l'appareil et la **sortie audio/prise casque d'un appareil audio**.
2. Appuyez sur **Alimentation/Source** pour basculer sur l'**entrée auxiliaire**.
3. Utilisez les commandes de l'appareil connecté pour sélectionner et lire des pistes.

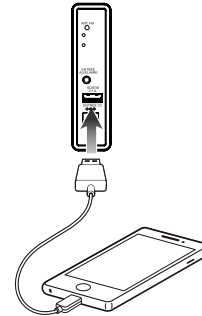
Remarque : les modèles de téléphone plus récents peuvent nécessiter l'utilisation d'un adaptateur (adaptateur de casque Lightning 3,5 mm pour iPhone ou adaptateur audio USB-C 3,5 mm pour Android).



Port de charge USB

Branchez l'une des extrémités de votre câble de charge USB (non inclus) au port de charge USB de la table et l'autre extrémité à votre appareil. L'appareil commence à charger.

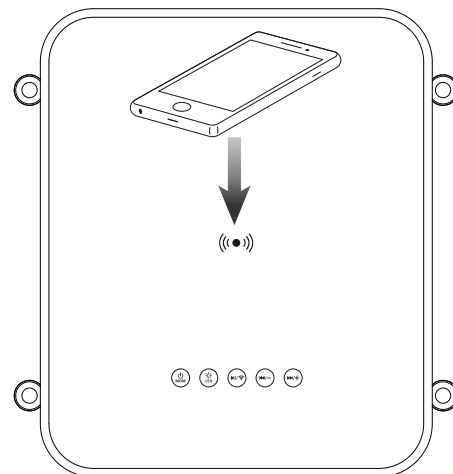
Remarque : le port de charge USB sert à charger des appareils mobiles.



Charge sans fil

Placez votre téléphone sur le **tapis d'alimentation** pour le charger.

Remarque : vous devez peut-être retirer la coque de votre téléphone.



Instrucciones importantes sobre seguridad

- Lea estas instrucciones.
- Guarde estas instrucciones.
- Preste atención a todas las advertencias.
- Siga todas las instrucciones.
- No use este aparato cerca del agua.
- Limpie solo con un paño seco.
- No bloquee las aberturas de ventilación. Proceda con la instalación según las instrucciones del fabricante.
- No instale el aparato cerca de fuentes de calor, como radiadores, rejillas de calefacción, estufas u otros artefactos (incluidos los amplificadores) que produzcan calor.
- No anule el propósito de seguridad del enchufe polarizado o con puesta a tierra. Un enchufe polarizado tiene dos patas, una más ancha que la otra. Un enchufe con puesta a tierra tiene dos patas, una más ancha que la otra. La pata ancha, o la tercera, se proporcionan para fines de seguridad. Cuando el enchufe provisto no encaje en su tomacorriente, consulte a un electricista para reemplazar el tomacorriente obsoleto.
- Proteja el cable de alimentación para que no lo pisen ni lo pellizquen, en especial, en los enchufes, las llaves y el punto donde salen del aparato.
- Use solo los accesorios que indica el fabricante.
- Desenchufe esta unidad cuando haya tormentas eléctricas o no se utilice por periodos largos.
- Remita todos los servicios de mantenimiento a personal de servicio calificado. Cuando la unidad sufra algún tipo de daño, por ejemplo, se dañe el cable de alimentación o el enchufe, se haya derramado líquido o hayan caído objetos dentro del aparato, haya estado expuesto a la lluvia o la humedad, no funcione con normalidad o se haya caído, se tendrán que realizar servicios de mantenimiento.
- Se debe usar solo con el carro, el soporte, el trípode, la abrazadera o la mesa especificados por el fabricante o que se venden con el aparato. Cuando use un carro, tenga cuidado al mover la combinación carro/aparato para evitar lesiones por vuelco.



Esta unidad genera, utiliza y puede irradiar energía de radiofrecuencias. Dicha energía podría causar interferencias dañinas a las comunicaciones de radio si no se instala y utiliza la unidad conforme a las instrucciones. Por lo tanto, no hay ninguna garantía de que no se producirán interferencias en instalaciones en particular. Si esta unidad llegara a causar interferencias dañinas a la recepción de radio o televisión, lo que se puede determinar al encender y apagar la unidad, se insta al usuario a que aplique una o varias de las medidas indicadas a continuación para intentar corregir la interferencia:

- Reorientar o cambiar de posición la antena del equipo receptor.
- Aumentar la separación entre la unidad y el equipo receptor.
- Conectar la unidad a una toma de electricidad distinta a la que utiliza el equipo que recibe la interferencia.
- Si requiere ayuda, consulte a la tienda vendedora o a un técnico experimentado de radio y televisión.

Otras advertencias y precauciones

- **PRECAUCIÓN:** PARA EVITAR DESCARGAS ELÉCTRICAS, HAGA COINCIDIR LA PATA ANCHA DEL ENCHUFE CON LA RANURA ANCHA E INSÉRTELA POR COMPLETO.
- El enchufe de red se utiliza como dispositivo de desconexión y debe poder operarse con facilidad durante el uso previsto. Para desconectar el aparato de la red eléctrica, se debe retirar el enchufe de red del tomacorriente.
- **ADVERTENCIA:** Peligro de descarga. No abrir.
- **PRECAUCIÓN:** El uso de controles o ajustes o la realización de procedimientos distintos a los especificados puede resultar en una exposición peligrosa a la radiación.
- **ADVERTENCIA:** Los cambios o las modificaciones que se realicen a esta unidad sin la expresa aprobación del responsable de cumplimiento anularán la autoridad del usuario para operar el equipo.
- **ADVERTENCIA:** No coloque esta unidad directamente sobre la superficie de muebles que tengan una terminación suave, porosa o delicada. Como ocurre con cualquier compuesto de caucho hecho con aceites, los pies pueden dejar marcas o manchas donde pisen. Recomendamos utilizar una barrera protectora, como un paño o un trozo de vidrio, entre la unidad y la superficie para reducir el riesgo de daños o manchas.
- **ADVERTENCIA:** No ingiera la batería, peligro de quemaduras químicas.
- La batería no debe quedar expuesta al calor excesivo, como la luz solar, el fuego o similares.
- Las baterías de litio, al igual que todas las baterías recargables, son reciclables. Se deben reciclar o desechar de acuerdo con las pautas estatales y locales. Nunca deben desecharse con la basura doméstica común y tampoco deben incinerarse, ya que podrían explotar. Comuníquese con el gobierno de su localidad para conocer las prácticas de eliminación o reciclaje en su área.

CAUTION
RISK OF ELECTRIC
SHOCK DO NOT OPEN

PRECAUCIÓN
RIESGO DE DESCARGA
ELÉCTRICA NO ABIR



ADVERTENCIA: Para reducir el riesgo de descarga eléctrica, no retire la tapa (ni la parte trasera). No incluya piezas que se puedan reparar ni recibir mantenimiento por parte de los usuarios. Remita los servicios de mantenimiento al personal de servicio calificado.



El símbolo de exclamación dentro de un triángulo equilátero es una alerta para el usuario ante la presencia de "voltaje peligroso" no aislado en el interior de la carcasa del producto que puede tener una magnitud suficiente como para representar un riesgo de descarga eléctrica para las personas.



Este símbolo indica que el producto incorpora doble aislamiento entre la tensión peligrosa de la red eléctrica y las piezas accesibles al usuario.



ADVERTENCIA: Este producto puede exponerlos a sustancias químicas que el estado de California reconoce como cancerígenas, entre las que se incluye el plomo. Para obtener más información, visite to.www.P65Warnings.ca.gov. Este producto cumple con las pautas federales obligatorias para productos.

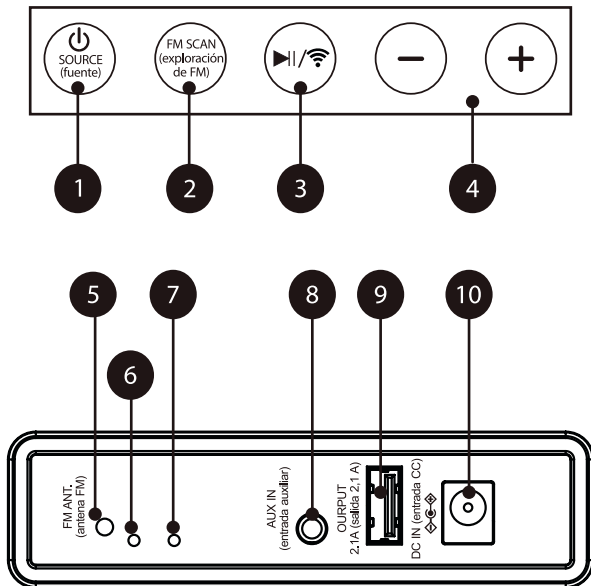
Advertencias de la FCC

Advertencia: Los cambios o las modificaciones que se realicen a esta unidad sin la expresa aprobación del responsable de cumplimiento anularán la autoridad del usuario para operar el equipo.

NOTA: Se probó este producto y quedó demostrado que cumple con los límites para dispositivos digitales de la Clase B, conforme al Apartado 15 de la normativa de la Agencia Federal de Comunicaciones (FCC) estadounidense. Dichos límites están diseñados para suministrar una protección razonable contra interferencias dañinas en instalaciones residenciales.

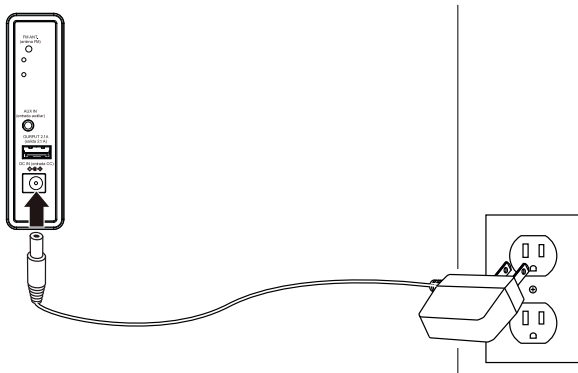
Descripción general

Panel de control y entradas



1. **Power/Source (energía/fuente):** Presione ON para encender. Mantenga presionado OFF para apagar. Cuando esté encendido, presione para cambiar la fuente de audio entre inalámbrica, radio FM y entrada auxiliar.
2. **FM Scan (exploración de FM):** Mientras está en el modo de radio FM, mantenga presionado para iniciar la exploración automática y guardar todas las estaciones de radio exploradas.
Party Plus Mode (modo Party Plus): Mientras está en modo inalámbrico, mantenga presionado para ingresar al modo Party Plus.
3. **Play/Pause/Pair (reproducir, pausar, emparejar):** Pulse para reproducir o pausar una pista. Manténgalo presionado durante 3 segundos para emparejar con un dispositivo inalámbrico de forma manual.
4. **Volume+/- (volumen +/-):** Presione para subir o bajar el volumen. Manténgalo presionado para avanzar o retroceder una pista. En el modo de radio FM, manténgalo presionado para pasar las estaciones.
5. **FM Antenna (antena FM)**
6. **Party Plus LED (LED de Party Plus):** Luz verde que parpadea durante el emparejamiento; queda fija cuando el dispositivo está conectado.
7. **Power/Source/Wireless LED (LED de alimentación/fuente/inalámbrico):**
 - Rojo: la unidad está apagada.
 - Sin luz: la unidad no tiene energía.
 - Azul parpadeante: la unidad está intentando emparejarse con un dispositivo inalámbrico.
 - Azul: La unidad está emparejada con un dispositivo inalámbrico.
 - Verde: la unidad está en modo auxiliar.
 - Blanco: la unidad está en modo de radio FM.
8. **Entrada auxiliar (entrada de 3,5 mm)**
9. **Puerto de carga USB**
10. **Entrada de alimentación de CC**

Encendido del altavoz



Para encender la unidad, conecte la entrada de la fuente de alimentación de CC de la mesa a una salida de alimentación estándar con el adaptador de energía CA/CC.

Características

- Audio inalámbrico: alcance 18 m (59 ft)
- Radio FM
- Modo Party Plus (TWS)
- Las indicaciones de voz anuncian las funciones del altavoz
- Control de volumen digital
- Entrada auxiliar de 3,5 mm
- Puerto de carga USB
- Cargador inalámbrico de 10 W

Radio FM

1. Para ingresar primero al modo de radio FM, presione el botón **Power/Source** (energía/fuente). La luz **Power/Source/Wireless LED** (LED de alimentación/fuente/inalámbrico) se pondrá de color blanco.
2. Mantenga presionado el botón **FM scan** (exploración de FM) para explorar y guardar todas las estaciones de radio disponibles.
3. Mantenga presionados los botones **Volume +** (volumen +) y **Volume -** (volumen -) para pasar por las estaciones guardadas.

Audio inalámbrico

Emparejamiento y reproducción de audio

1. Cuando se enciende el altavoz por primera vez, se activa el modo inalámbrico de forma predeterminada y está listo para emparejarse automáticamente. Cuando realice el emparejamiento, ubíquese a 1 m (3 ft) de la unidad.
2. Con los controles del dispositivo inalámbrico, seleccione **A4000550** en la configuración inalámbrica para emparejar. Una voz anunciará la conexión una vez que el emparejamiento se realice correctamente.
3. Utilice los controles del dispositivo inalámbrico conectado para seleccionar y reproducir audio. Utilice los controles del altavoz o del dispositivo inalámbrico conectado para pausar la reproducción y ajustar el volumen.
4. Después del emparejamiento inicial, el altavoz se conectará automáticamente al último dispositivo inalámbrico utilizado siempre que esté en modo inalámbrico.
Nota: Si el dispositivo se desempareja o no se puede conectar, mantenga presionada el botón **Play** (reproducir) para ingresar al modo de emparejamiento. Una voz anunciará "Wireless is connecting" (la conexión inalámbrica se está conectando) y podrá conectarse al altavoz de forma manual.

Modo Party Plus

Si tiene otro altavoz de mesa **A4000550**, puede emparejar y reproducir los dos altavoces juntos para obtener un efecto de sonido envolvente.

1. Para ingresar al modo Party Plus, asegúrese de que la unidad esté en modo inalámbrico. Mantenga presionado el botón **FM scan** (exploración de FM) por 3 segundos en una de las mesas, luego, repita en la segunda mesa. Cualquiera sea la mesa en la que active primero el modo Party Plus, ahora será la unidad principal.
2. Cuando los dos altavoces estén emparejados, una voz anunciará la conexión.
3. Use el dispositivo para seleccionar y reproducir pistas. Podrá escuchar el audio por los dos altavoces.
4. Para desconectar los altavoces, mantenga presionado el botón **FM scan** (exploración de FM) en una de las dos unidades.

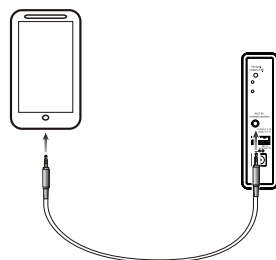
Nota: Para usar el modo Party Plus, asegúrese de conectar el altavoz antes de emparejarlo con el dispositivo inalámbrico. No podrá conectar los altavoces si ya está emparejado con un dispositivo inalámbrico.

Aux In (entrada auxiliar)

Requiere un cable de audio de 3,5 mm (no incluido).

1. Conecte un cable de audio de 3,5 mm a la **Aux In** (entrada auxiliar) de la unidad y la **salida de audio/conector para auriculares en el dispositivo de audio**.
2. Presione el botón **Power/Source** (energía/fuente) para cambiar al modo de **Aux in** (entrada auxiliar).
3. Utilice los controles del dispositivo conectado para seleccionar y reproducir audio.

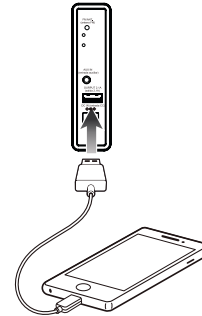
Nota: Los modelos de teléfonos más nuevos pueden requerir un adaptador (adaptador de auriculares Lightning a 3,5 mm para iPhone) o (adaptador de audio USB-C a 3,5 mm) para Android.



Puerto de carga USB

Conecte el cable de carga USB (no incluido) en el puerto de carga USB de la mesa y el otro extremo en el dispositivo para que comience a cargarse.

Nota: El puerto de carga USB es para cargar dispositivos móviles.



Cargador inalámbrico

Coloque el teléfono en la **almohadilla de alimentación** para comenzar a cargar.

Nota: Es posible que deba quitar la carcasa del teléfono para comenzar la carga.

