

This bag contains small parts that present a choking hazard for children under 3 years of age. These parts are for adult assembly only and should be permanently affixed to the furniture. Any unused parts should be discarded properly.

**DWG#: 143284**

4/22/2015

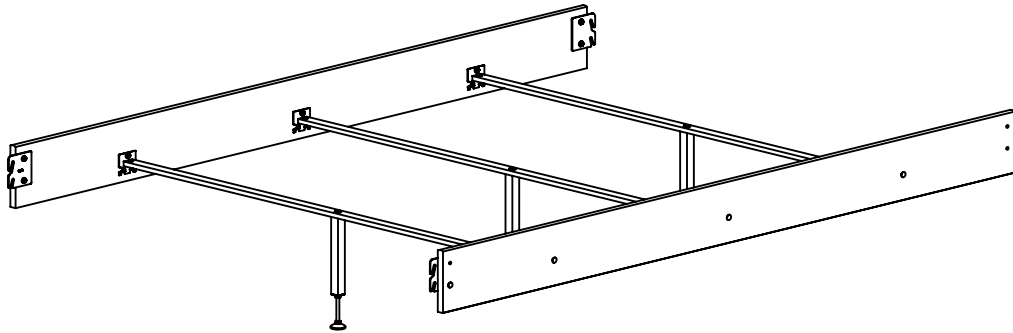
Rev.

Description

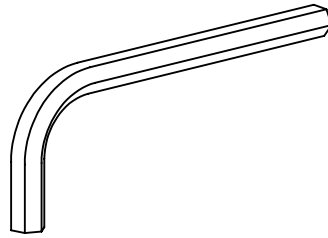
Date

Cad/Eng

## Adjustable Center Support Instructions



### TOOLS:

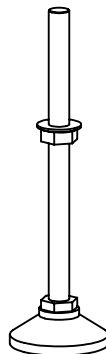


### HARDWARE:

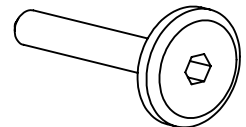
(3X)  
CENTER SUPPORT

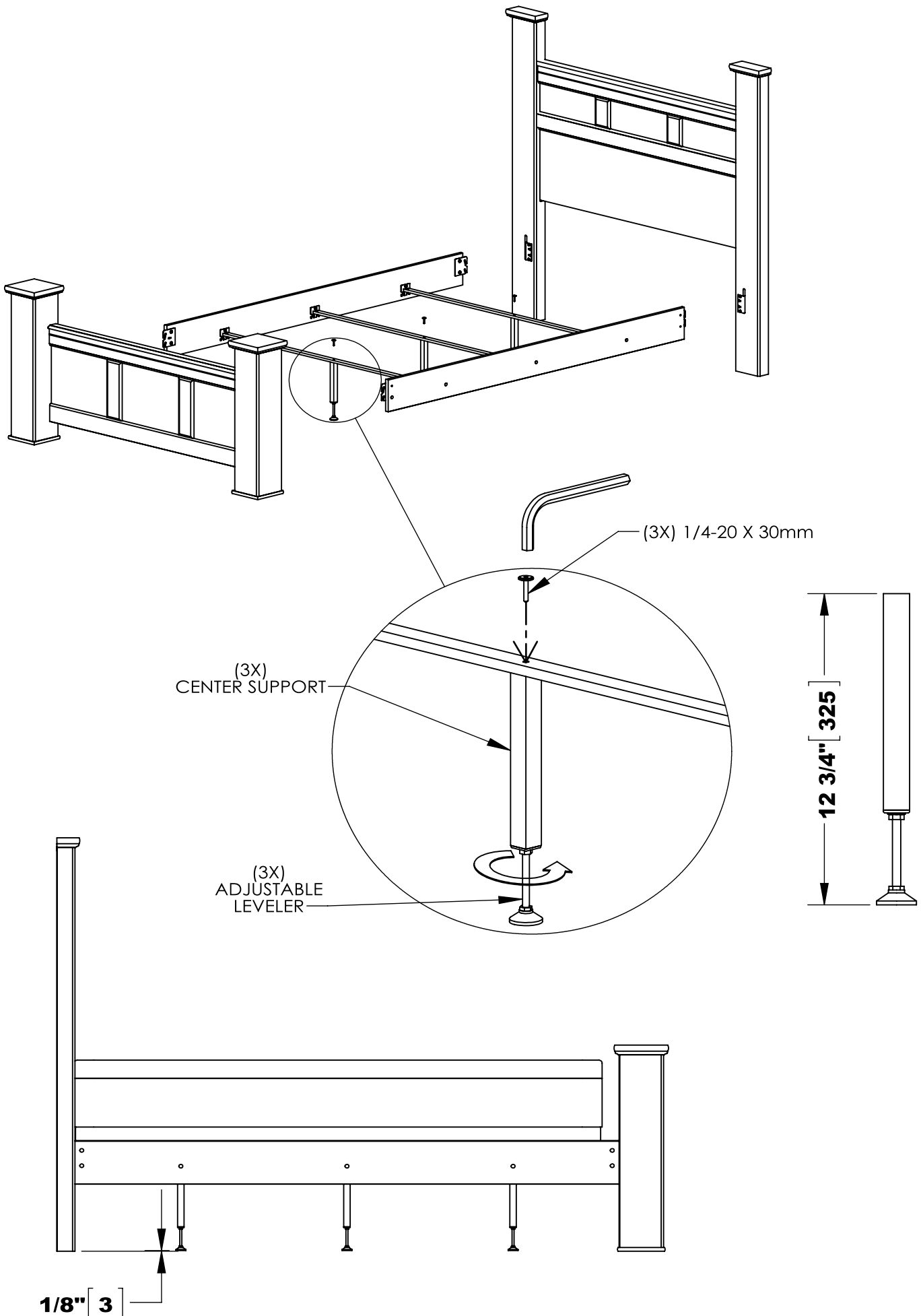


(3X)  
ADJUSTABLE LEVELER



(3X) 1/4-20 X 30mm





#1

DWG#: 161649

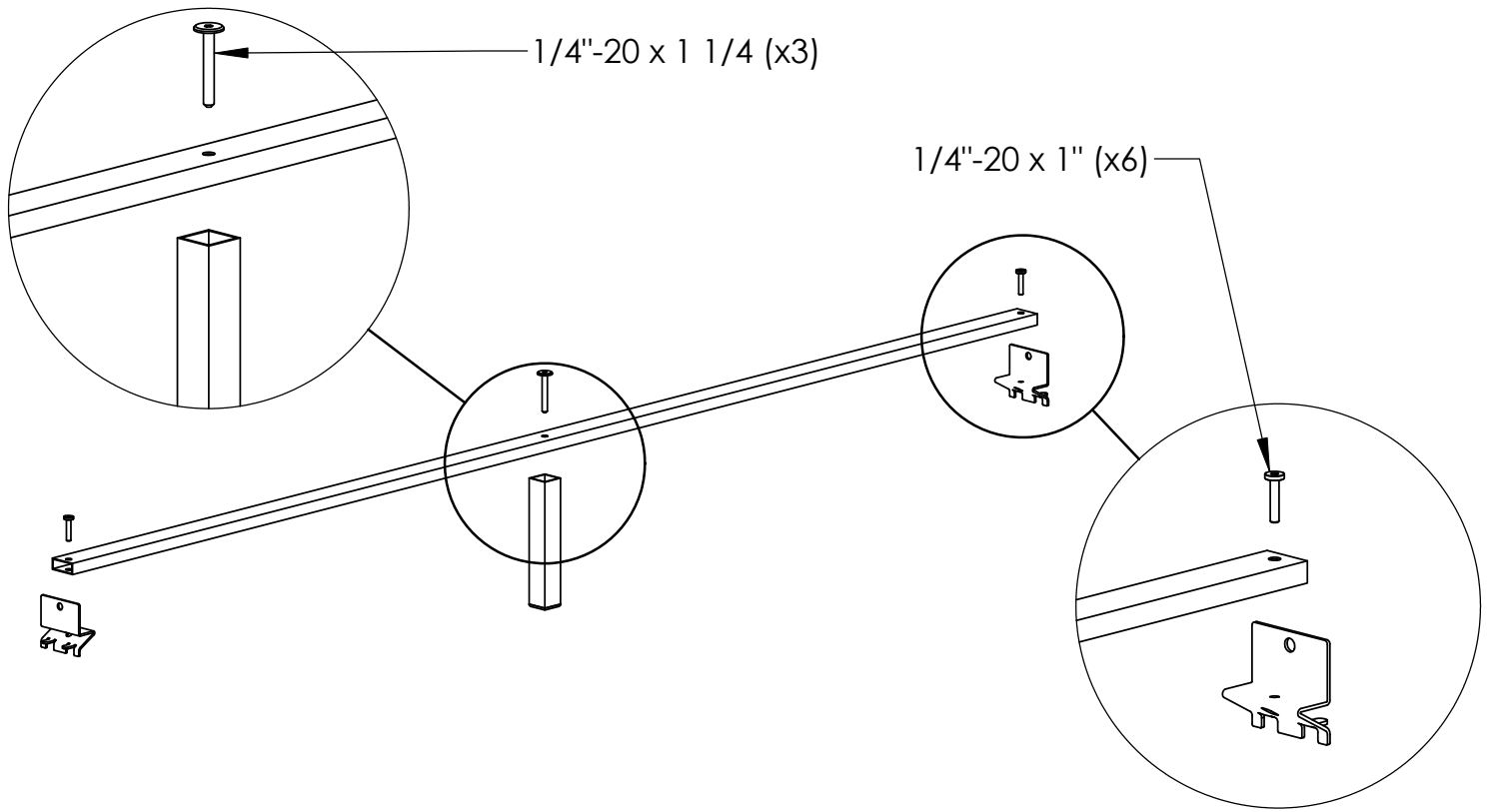
5/19/2008

Rev.

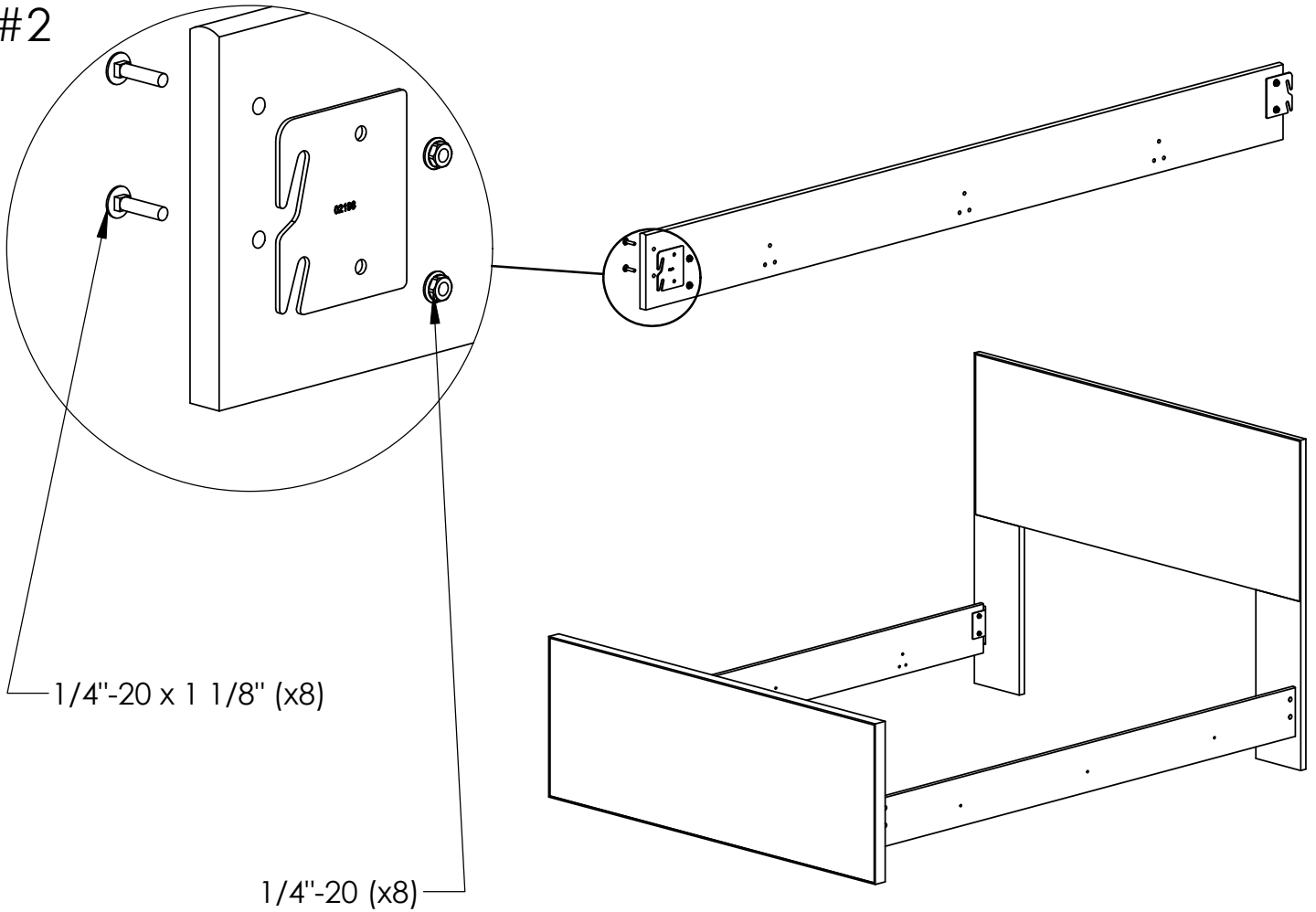
Description

Date

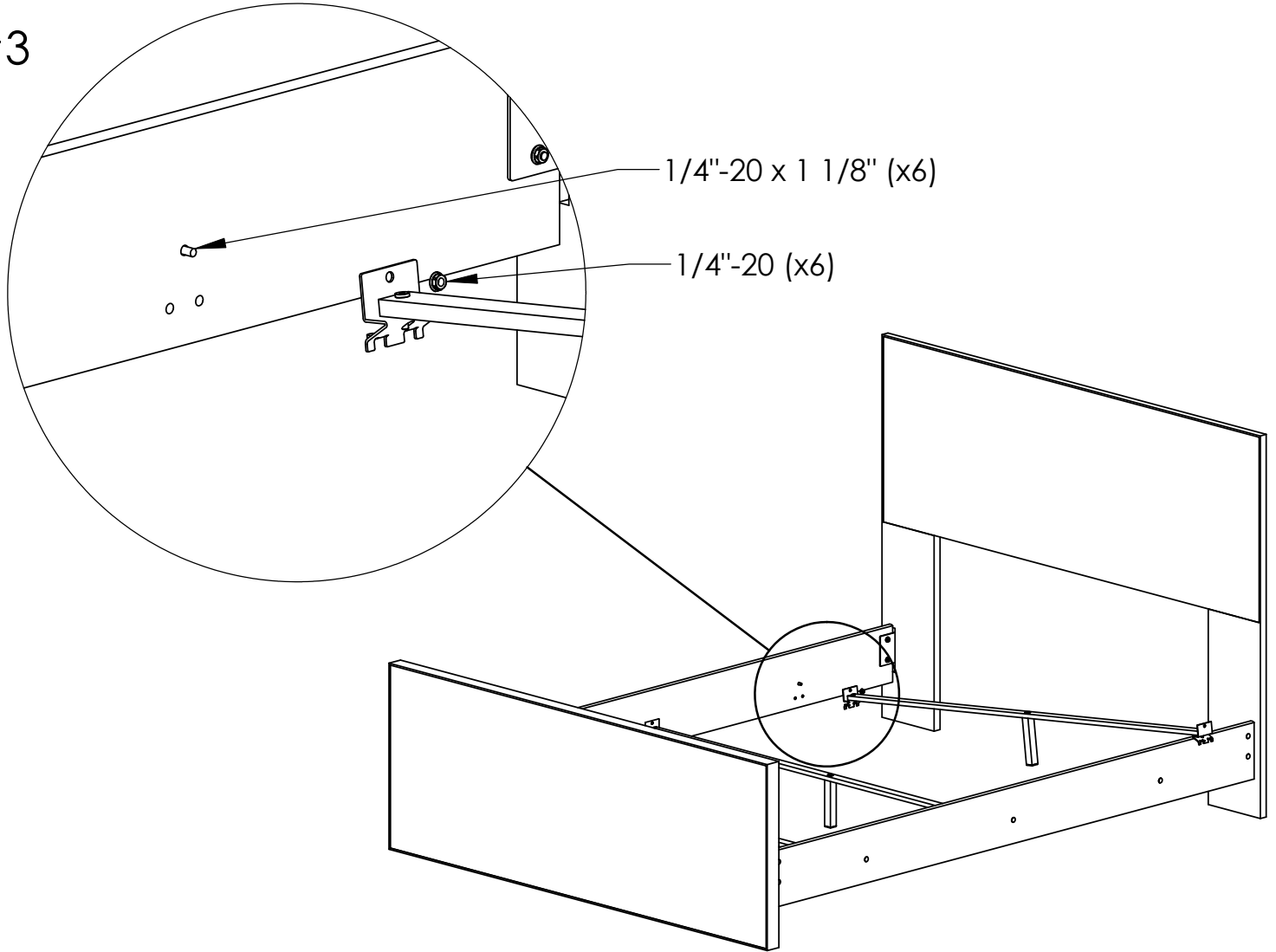
Cad/Eng



#2



#3



#4

