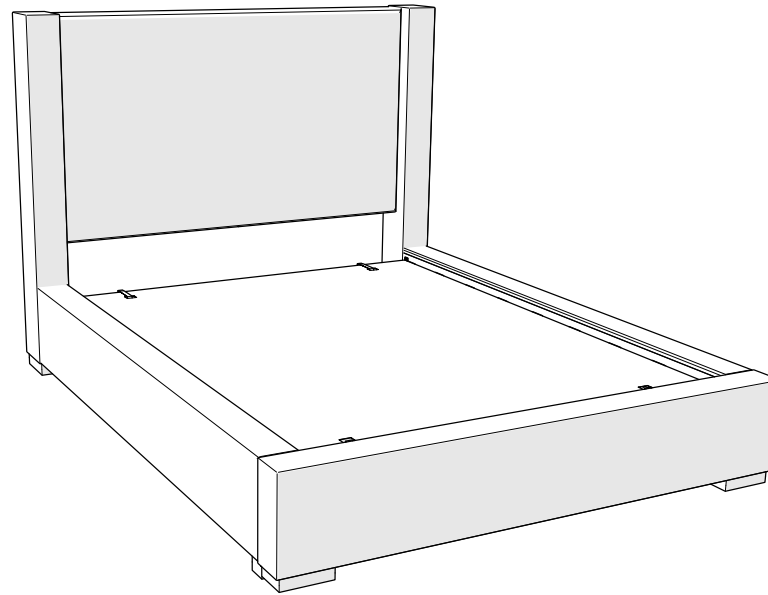


# ASSEMBLY INSTRUCTIONS FOR: QUEEN/KING UPHOLSTERED BED

SIGNATURE DESIGN BY **ASHLEY®**



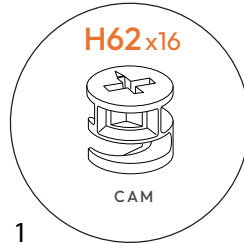
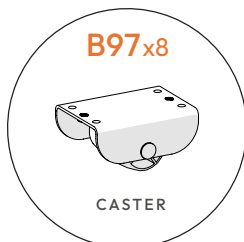
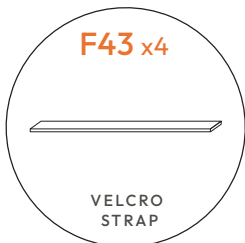
Scan Code for  
Video Tutorial



Life doesn't come with  
instructions, but this does

PART # 10562692 (03/26/26)

## HARDWARE



**BUST OUT**  
REQUIRED TOOL

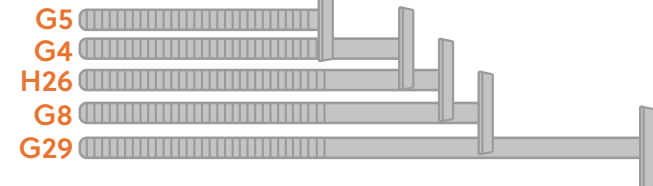
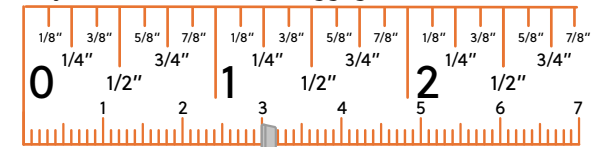


This bag contains small parts that present a choking hazard for children under 3 years of age. These parts are for adult assembly only and should be permanently affixed to the furniture. Any unused parts should be discarded properly.

Esta bolsa contiene piezas pequeñas que presentan un peligro de asfixia. para niños menores de 3 años. Estas piezas son para adultos. montaje solamente y debe fijarse permanentemente a la muebles. Las piezas no utilizadas deben desecharse correctamente.

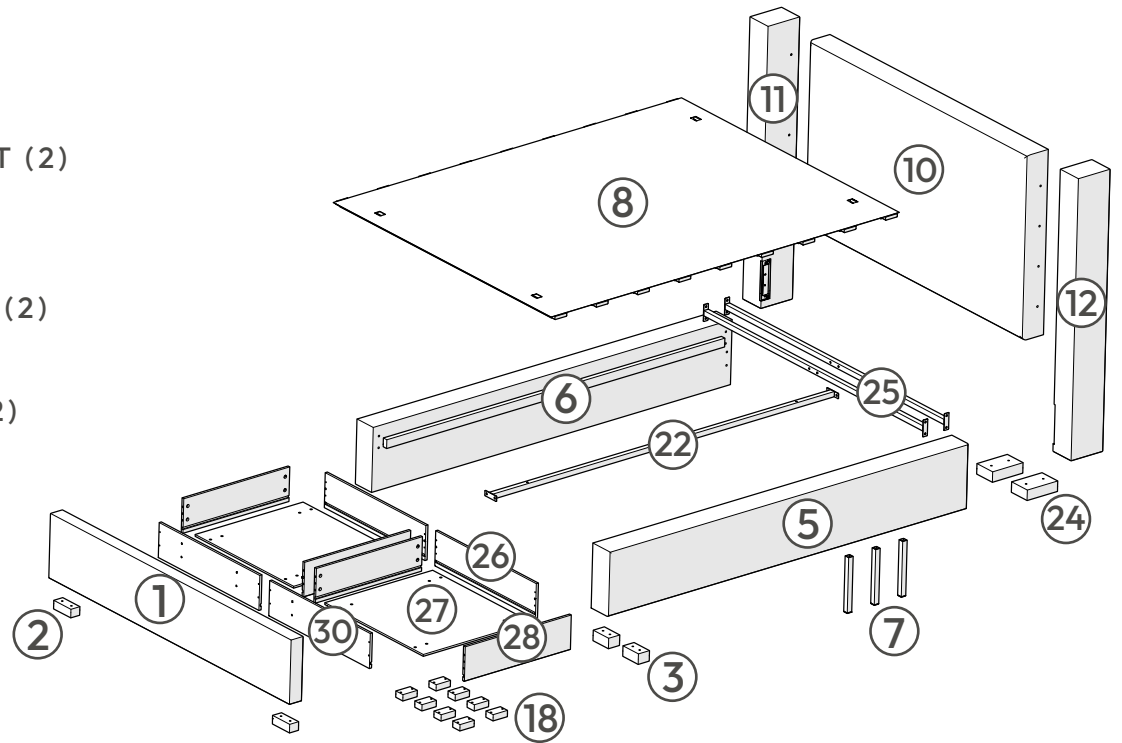
Ce sac contient de petites pièces qui présentent un risque d'étouffement pour les enfants de moins de 3 ans. Ces pièces sont pour adultes montage uniquement et doit être fixé de façon permanente au meubles. Toutes les pièces inutilisées doivent être jetées correctement.

Deze tas bevat kleine onderdelen die verstikkingsgevaar opleveren voor kinderen onder de 3 jaar. Deze onderdelen zijn voor volwassen montage alleen en moet permanent worden bevestigd aan de meubilair. Alle ongebruikte onderdelen moeten op de juiste manier worden weggegooid.



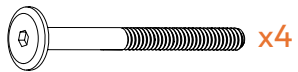
# COMPONENTS

- ① FOOTBOARD
- ② FOOTBOARD LEG (2)
- ③ RAIL LEG (2)
- ⑤ RIGHT BED RAIL
- ⑥ LEFT BED RAIL
- ⑦ CENTER SUPPORT (3)
- ⑧ PLATFORM
- ⑩ HEADBOARD
- ⑪ LEFT HEADBOARD LEG
- ⑫ RIGHT HEADBOARD LEG
- ⑱ CASTER BLOCK (8)
- ⑳ SUPPORT BEAM
- ㉒ HEADBOARD FOOT (2)
- ㉓ SPACER BEAM (2)
- ㉔ DRAWER BACK (2)
- ㉕ DRAWER BOTTOM (2)
- ㉖ DRAWER SIDE (4)
- ㉗ DRAWER FRONT (2)

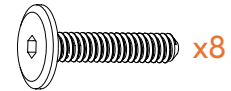


## HARDWARE AND COMPONENTS NEEDED ON THIS PAGE:

**G29** 70MM JOINT CONT.



**H26** 45MM JOINT CONT.



**H24** ALLEN WRENCH

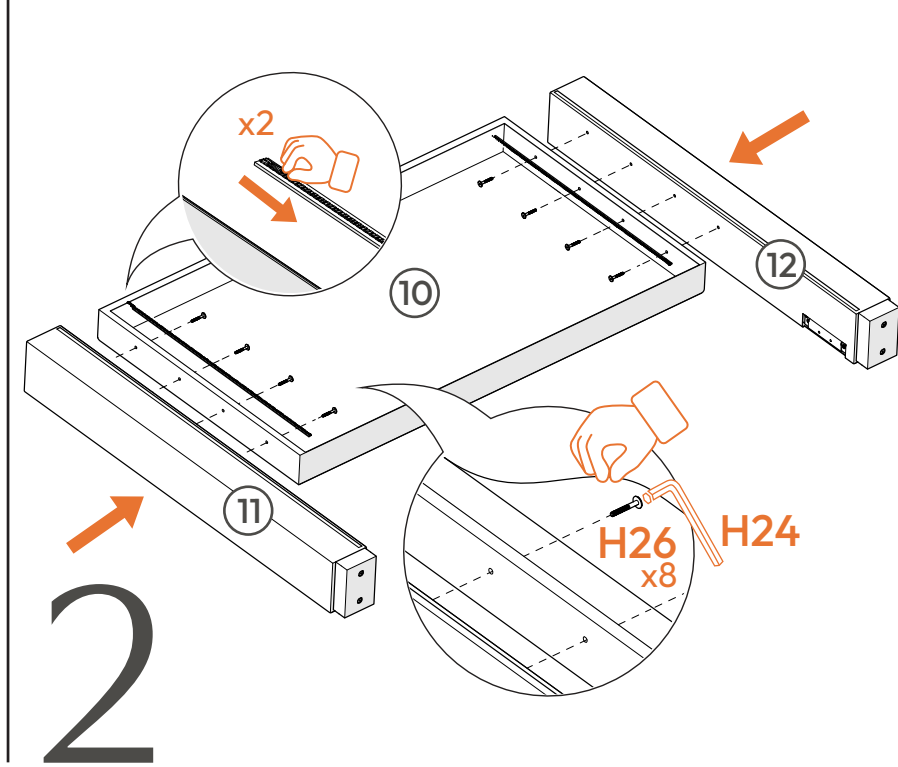
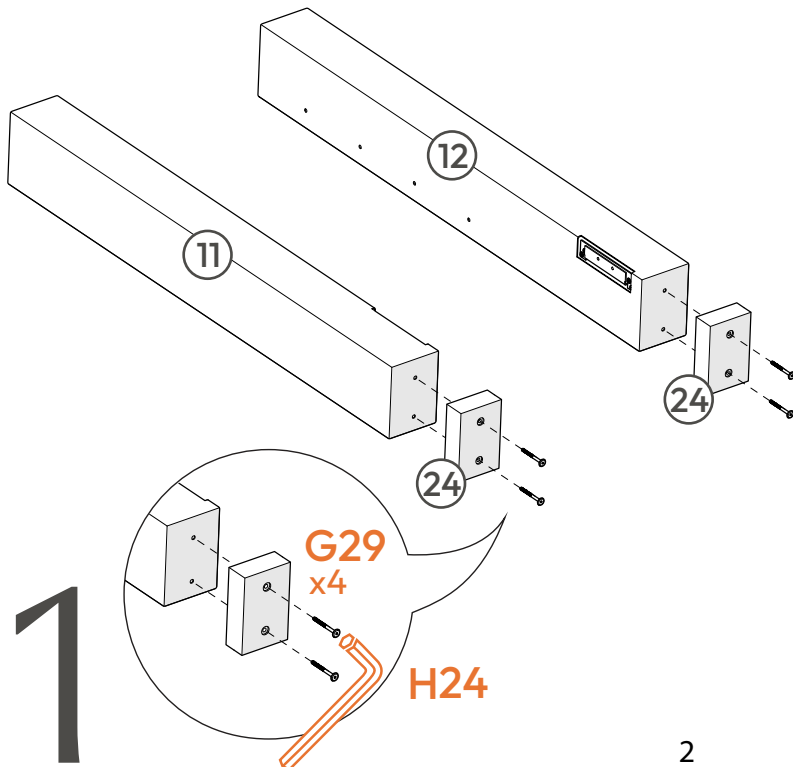


㉒ HEADBOARD FEET

⑪ LEFT HDB LEG

⑫ RIGHT HDB LEG

⑩ HEADBOARD

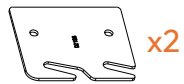


HARDWARE AND COMPONENTS NEEDED ON THIS PAGE:

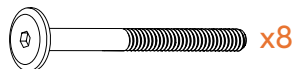
**G5** 30MM JOINT CONT.



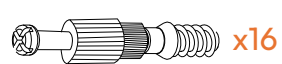
**B33** BED HOOK



**G29** 70MM JOINT CONT.



**H14** CAM DOWEL



**H24** ALLEN WRENCH



⑥ LEFT BED RAIL

⑤ RIGHT BED RAIL

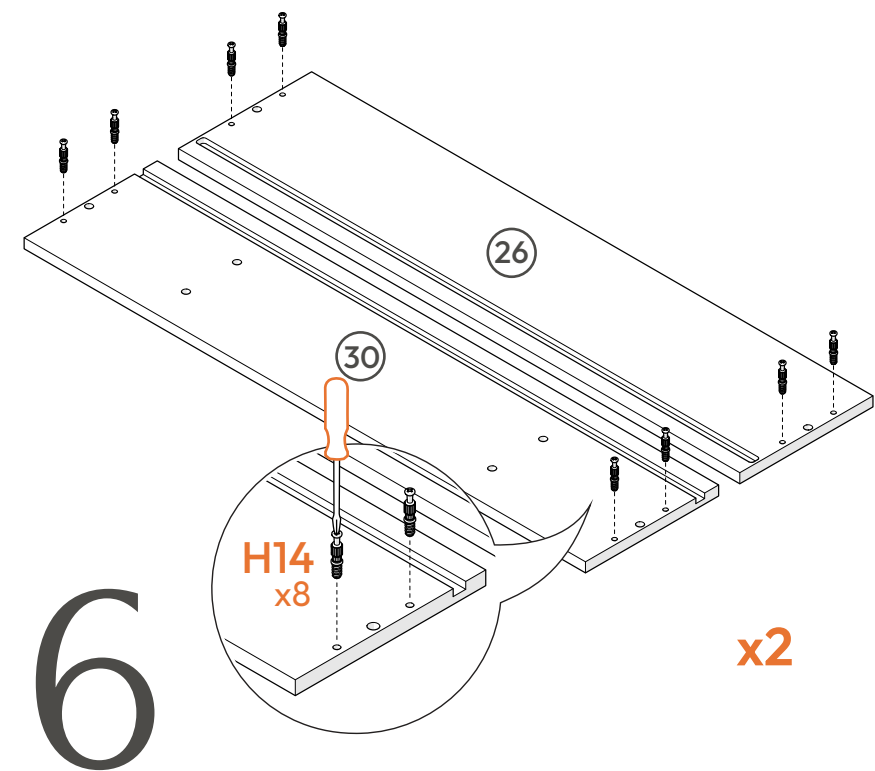
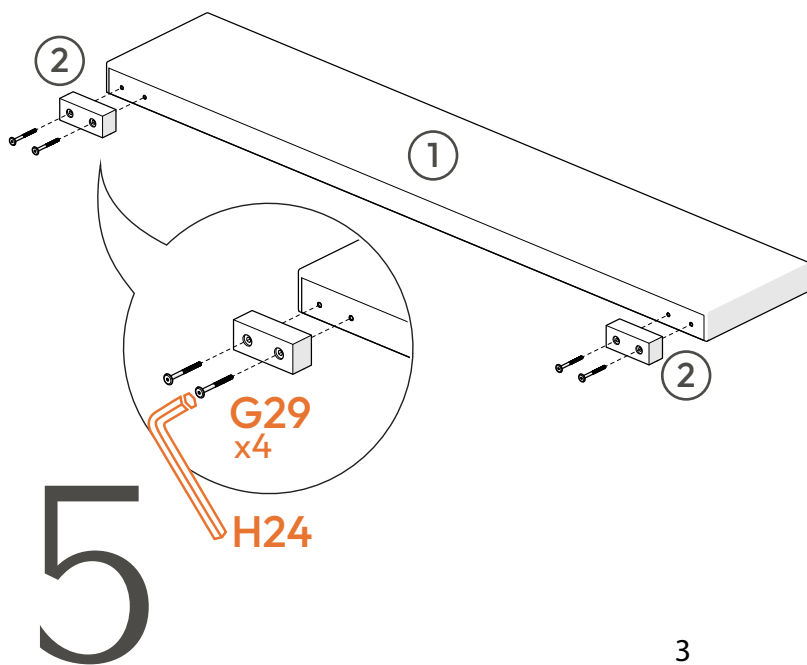
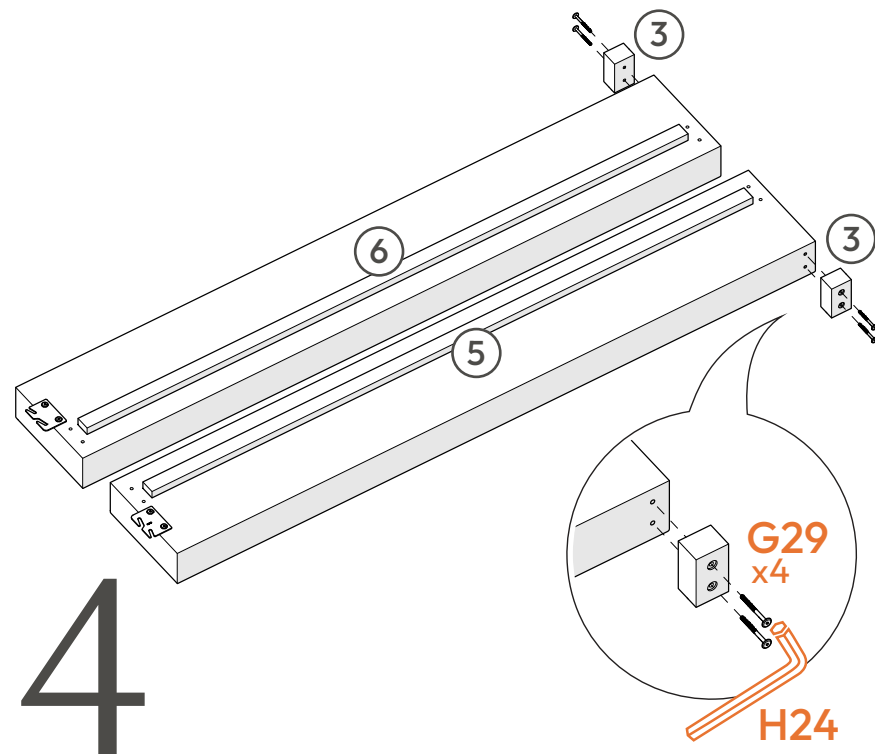
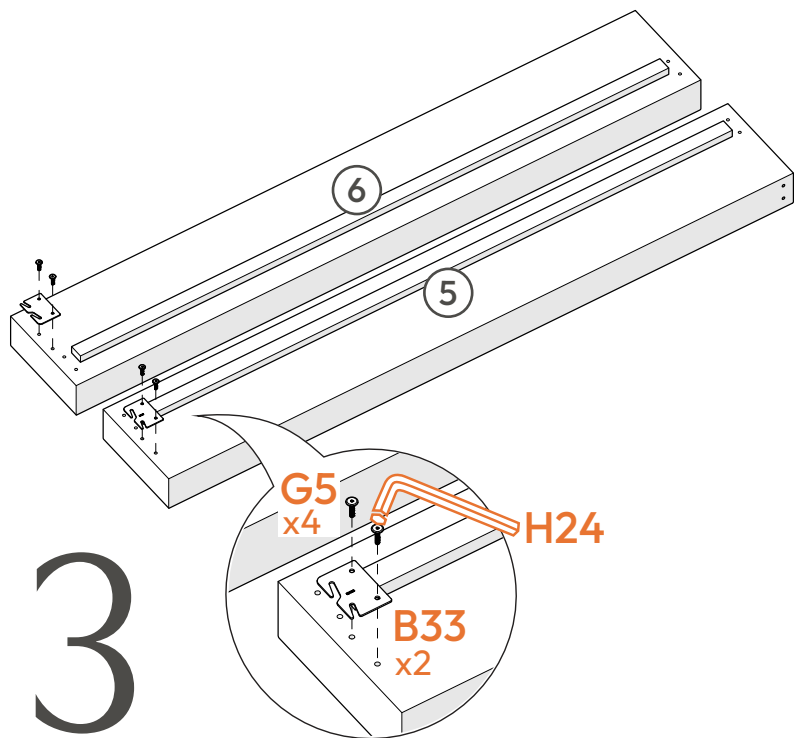
③ RAIL LEG (2)

② FTBD LEG (2)

① FOOTBOARD

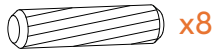
③① DRAWER FRONT (2)

②⑥ DRAWER BACK (2)



HARDWARE AND COMPONENTS NEEDED ON THIS PAGE:

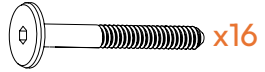
**H56** WOOD DOWEL



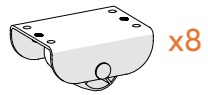
**H62** CAM



**G8** 50MM JOINT CONT.



**B97** CASTER



**H24** ALLEN WRENCH



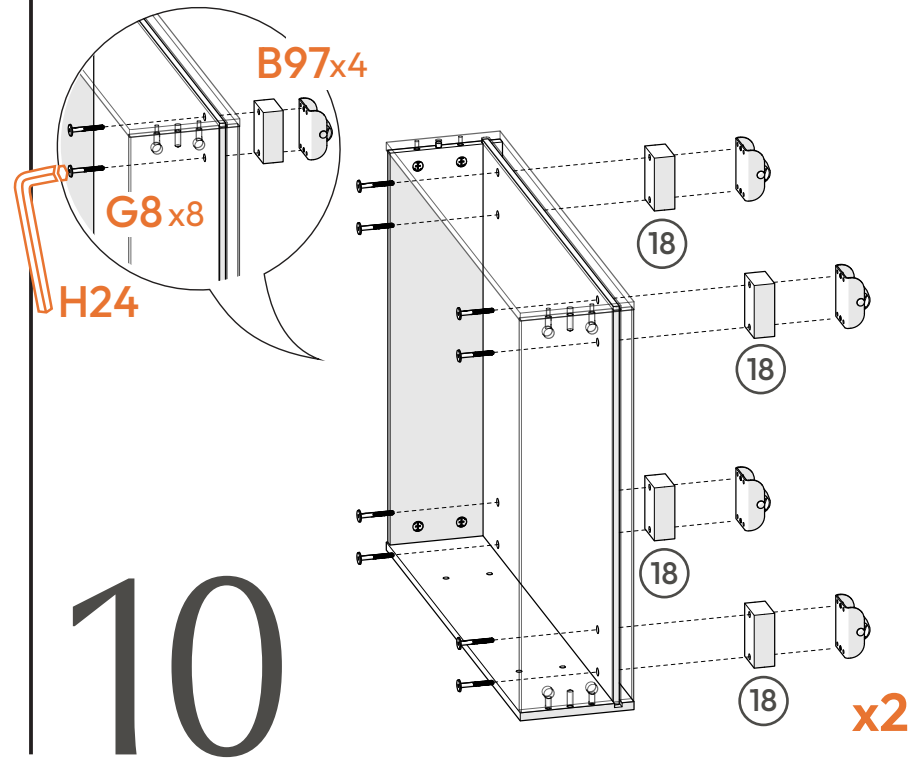
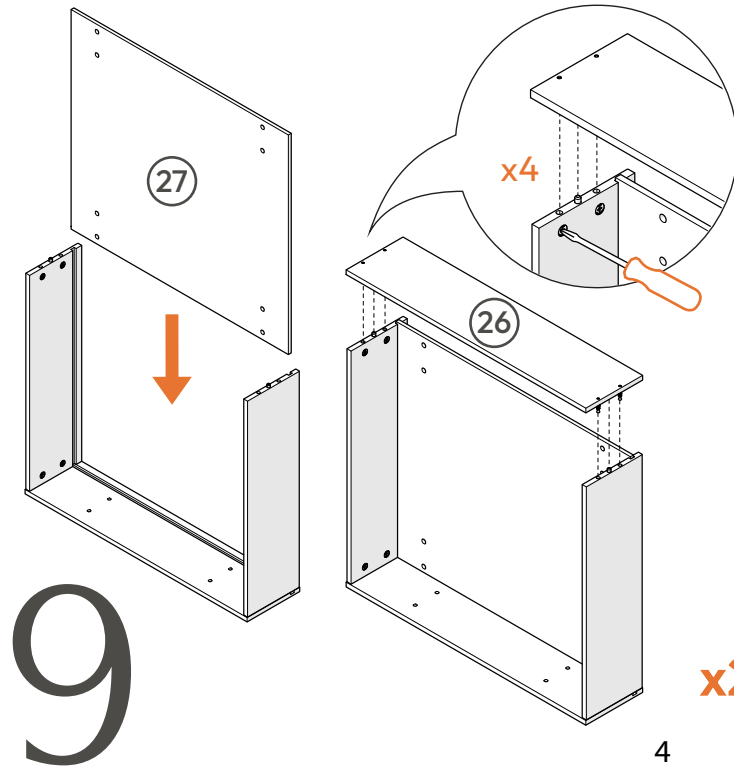
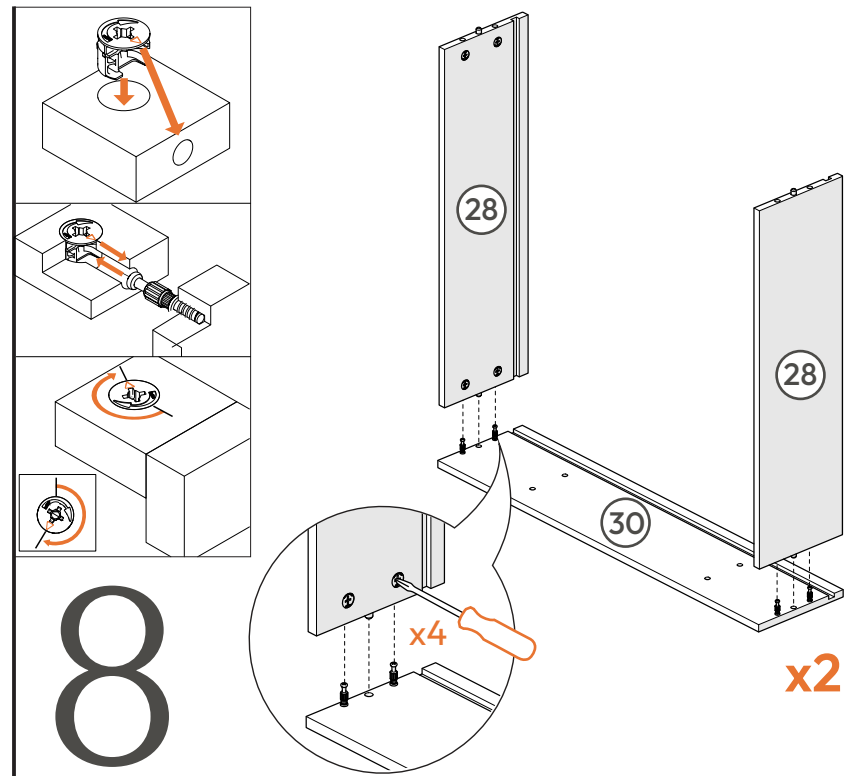
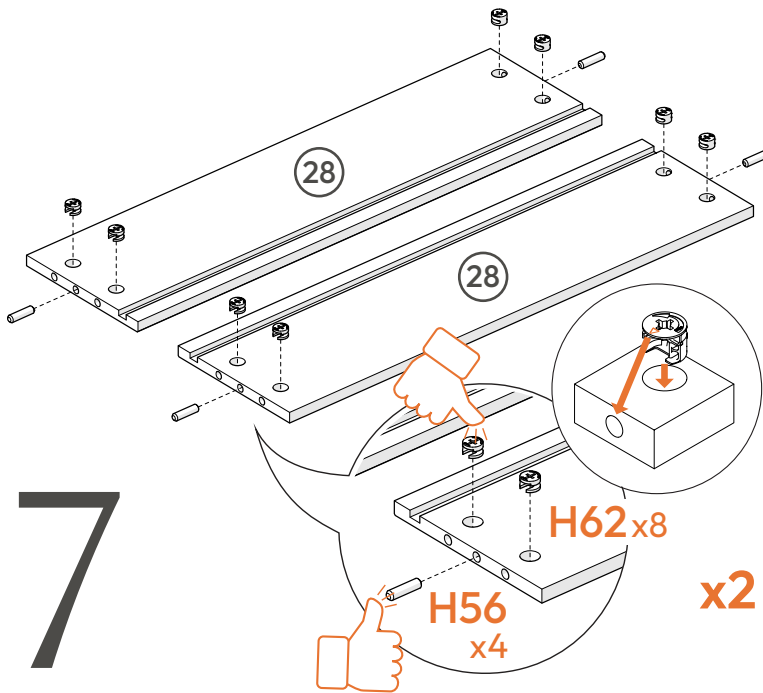
(28) DWR SIDE (4)

(30) DWR FRONT (2)

(27) DWR BTM (2)

(26) DWR BACK (2)

(18) CASTER BLOCK (4)

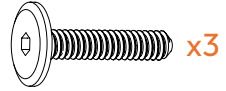


HARDWARE AND COMPONENTS NEEDED ON THIS PAGE:

**G5** 30MM JOINT CONT.



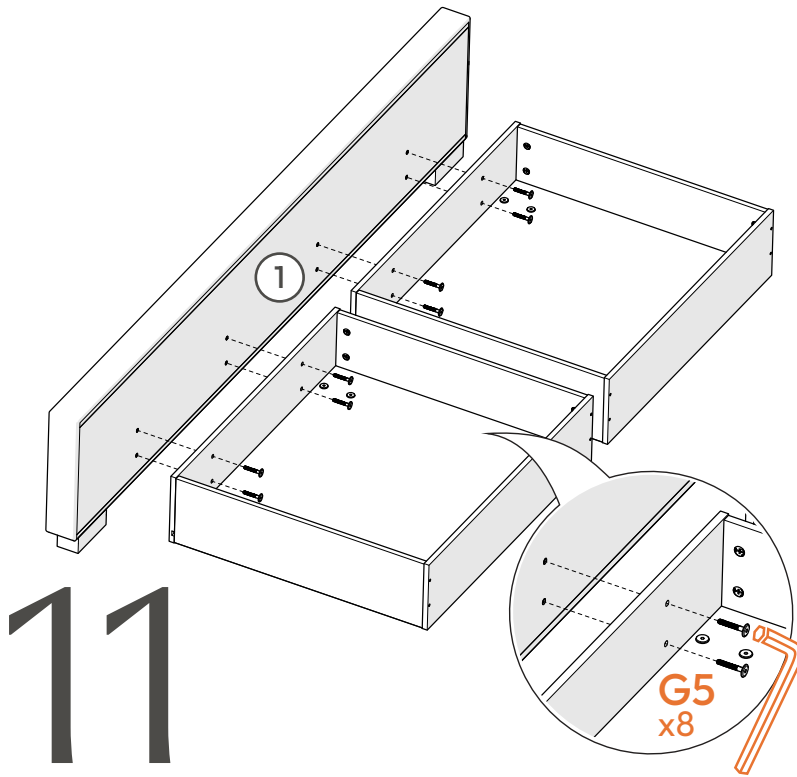
**H26** 45MM JOINT CONT.



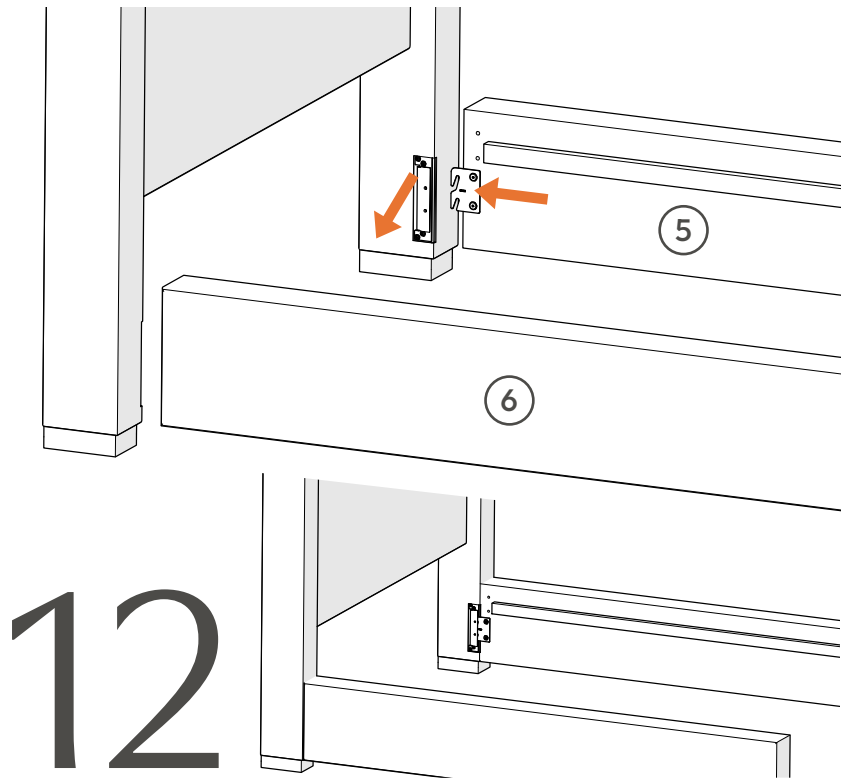
**H24** ALLEN WRENCH



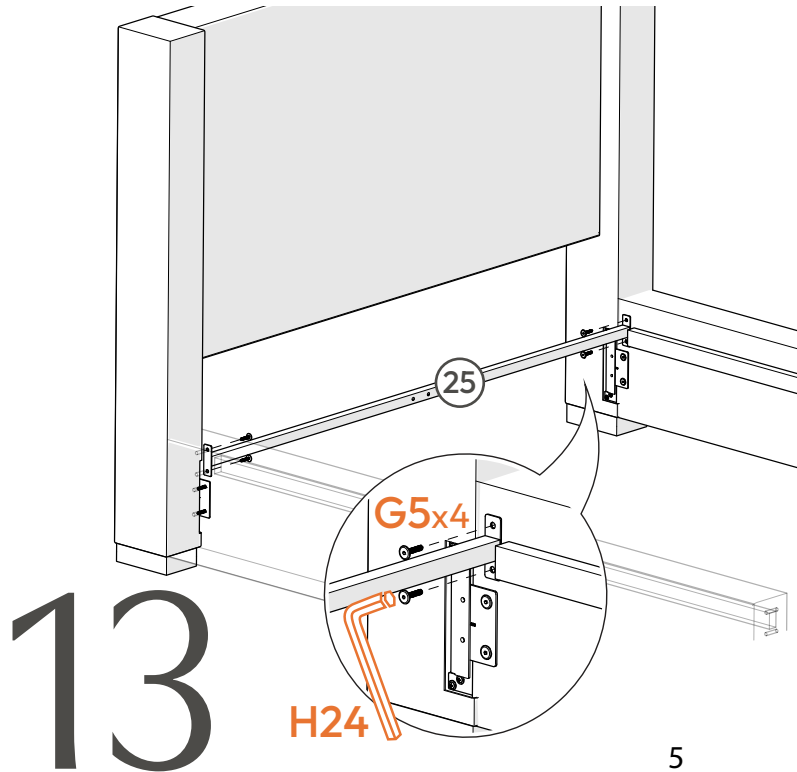
- ① FOOTBOARD
- ⑥ LEFT BED RAIL
- ⑤ RIGHT BED RAIL
- ②⑤ SPACER BEAM
- ②② SUPPORT BEAM
- ⑦ CENTER SUPPORT(3)



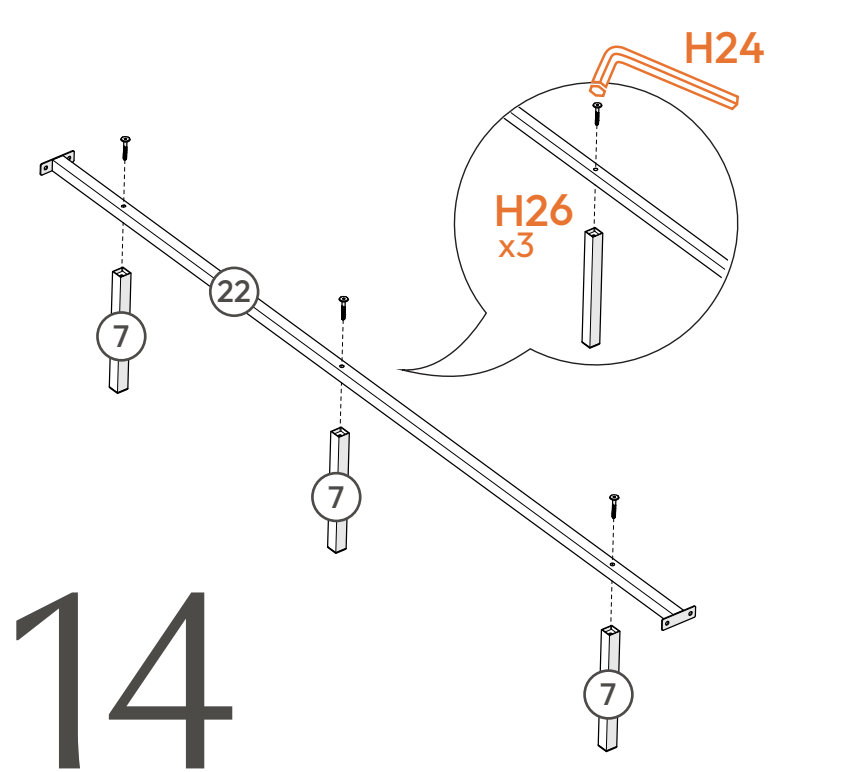
# 11



# 12



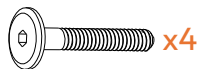
# 13



# 14

HARDWARE AND COMPONENTS NEEDED ON THIS PAGE:

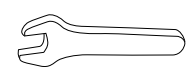
**G4** 40 MM JOINT CONT.



**G9** NUT



**G14** WRENCH



**G5** 30MM JOINT CONT.

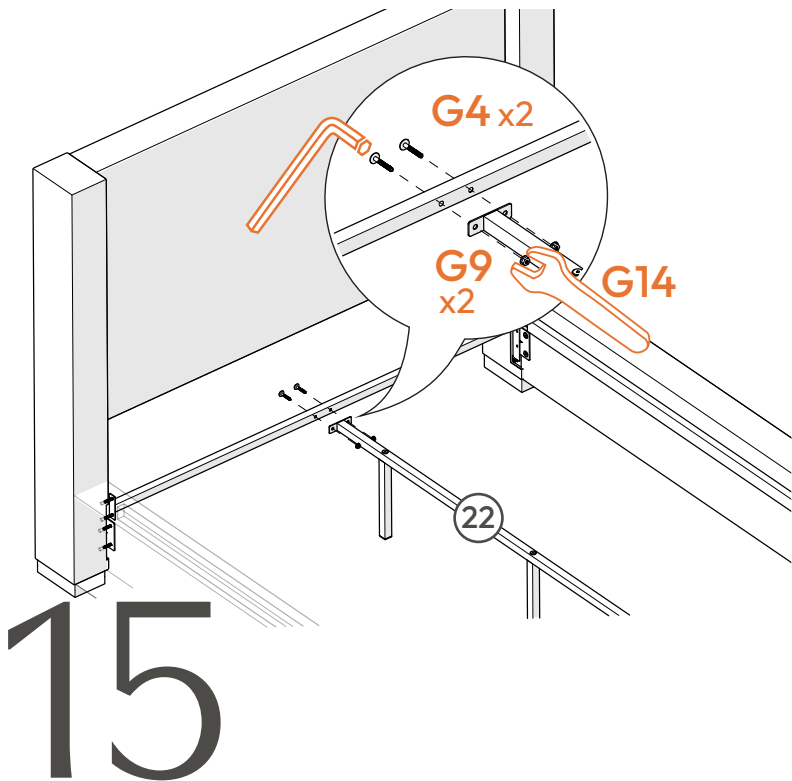


**F43** VELCRO STRAP

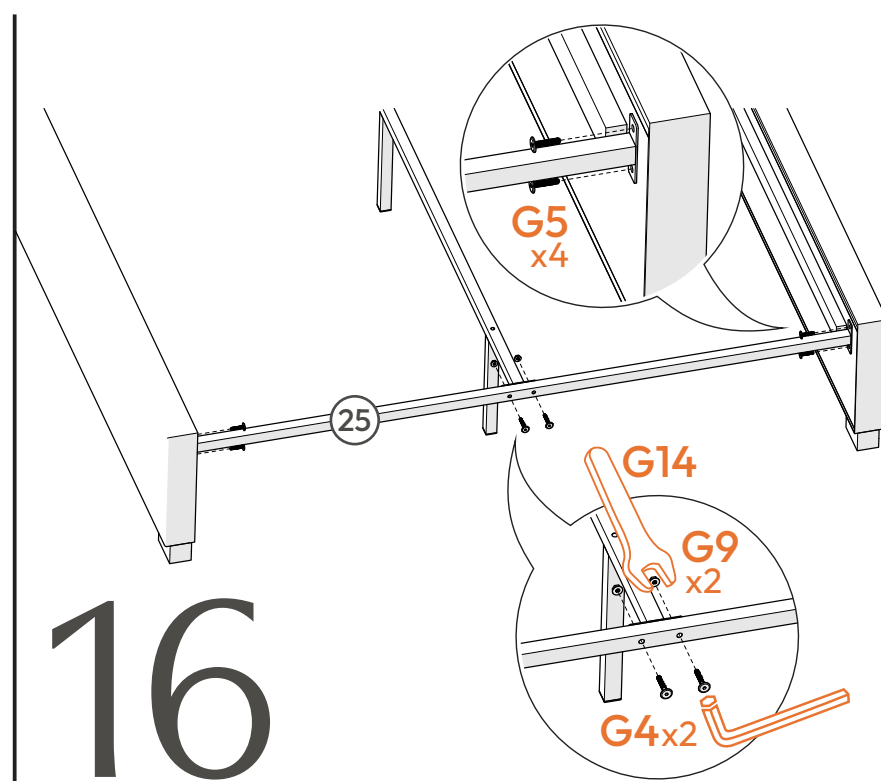


**25** SPACER BEAM

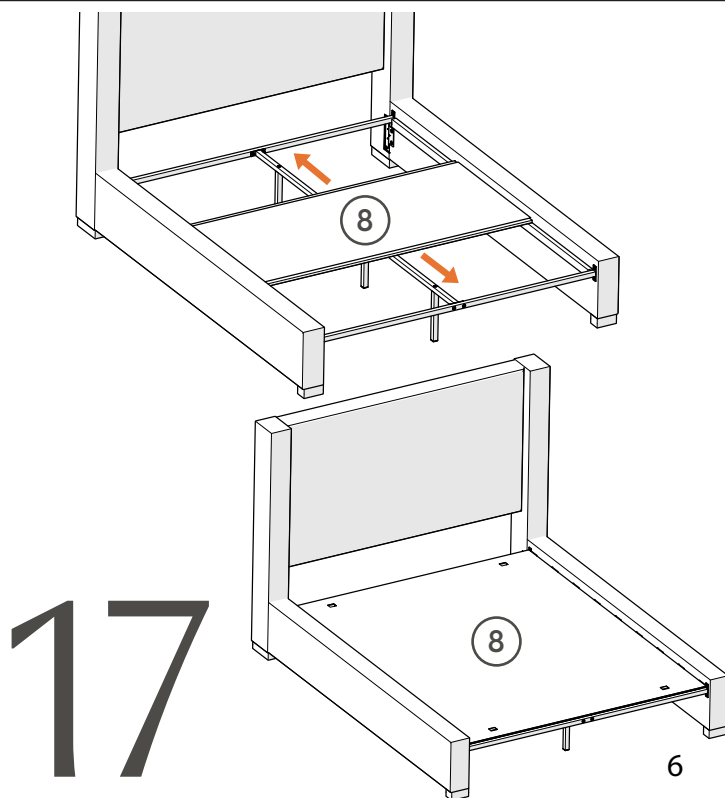
**8** PLATFORM



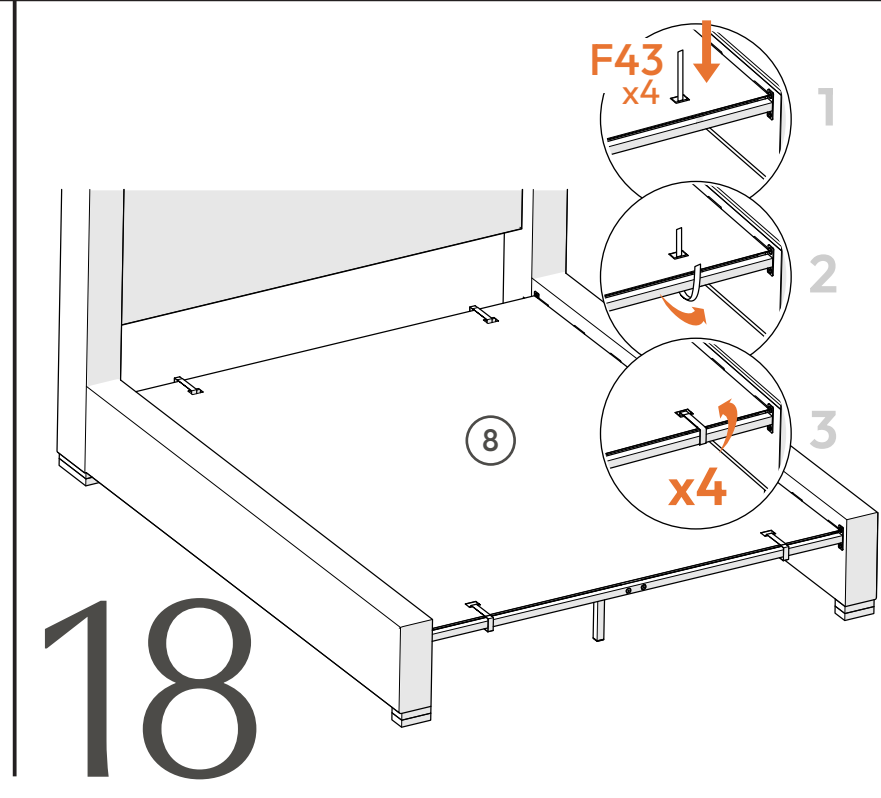
15



16



17



18

HARDWARE AND  
COMPONENTS NEEDED  
ON THIS PAGE:

**G42** SCREW

