

Assembly instructions for:  
**TV Stand**



*Life doesn't come with  
instructions, but this does*

Place Serial # Here  
Lugar número # aquí  
Part # 1 0 5 1 1 9 3 7  
(01 / 1 0 / 22)

**W275-68: First Prod. Date 11/29/2022**  
**W287-68: First Prod. Date 11/10/2022**

# WE CARE ABOUT YOUR SAFETY PLEASE READ

## IMPORTANT SAFETY NOTICE READ CAREFULLY BEFORE BEGINNING ASSEMBLY

- This unit contains small parts that present a choking hazard for children under 3 years of age. These parts are for adult assembly only and should be permanently affixed to the furniture. Any unused parts should be discarded properly.
- To make the assembly process easier, ask a friend to help you.  
\*\*\*2 people required\*\*\*
- Always use proper tools.
- Carefully review the parts and hardware list.
- It is recommended that you assemble the unit on a protected surface or carpeted floor to avoid scratches.
- Follow assembly steps in order. **DO NOT SKIP ANY STEPS.**
- Periodically check to ensure that all connectors (bolts, screws, etc.) are tight.
- Keep the instructions for future reference.

Ashley Furniture Industries, LLC disclaims any liability for damages or injuries which may occur due to failure to properly follow assembly instructions, properly assemble the product, or properly use the product.

## AVISO IMPORTANTE DE SEGURIDAD LEA CUIDADOSAMENTE ANTES DE COMENZAR A ARMAR

- Esta unidad contiene piezas pequeñas que presentan un peligro de asfixia para los niños menores de 3 años de edad. Estas piezas son para montaje por un adulto solamente y deben colocarse permanentemente a los muebles. Las partes no utilizadas deben desecharse correctamente.
- Para facilitar el proceso de ensamblaje, pedirle a un amigo que te ayude.  
\*\*\*2 personas requeridas\*\*\*
- Siempre use las herramientas adecuadas.
- Revisar cuidadosamente las piezas y lista de hardware.
- Le recomendamos que montar la unidad sobre una superficie protegida o moqueta para evitar arañazos.
- Siga los pasos de montaje en orden. **NO SE SALTE LOS PASOS.**
- Revise periódicamente para asegurarse de que todos los conectores (pernos, tornillos, etc.) están bien apretados.
- Guarde las instrucciones para referencia futura.

Ashley Furniture Industries, LLC se exime de cualquier responsabilidad por daños o lesiones que pueden ocurrir debido a que no correctamente sigan las instrucciones de montaje, montan correctamente el producto o usan correctamente el producto.

## AVIS DE SÉCURITÉ IMPORTANT LIRE ATTENTIVEMENT AVANT DE COMMENCER LE MONTAGE

- Cet appareil contient de petites pièces qui présentent un risque d'étouffement pour les enfants âgés de moins de 3 ans. Ces pièces sont pour l'assemblage par un adulte seulement et doivent être apposées de façon permanente aux meubles. Toute pièce inutilisée devrait être éliminée correctement.
- Pour faciliter le processus d'assemblage, demandez à un ami pour vous aider. \*\*\*2 personnes nécessaires\*\*\*
- Toujours utiliser des outils appropriés.
- Lire attentivement les pièces et la liste du matériel.
- Nous recommandons que vous montez l'appareil sur une surface protégée ou de moquette pour éviter les rayures.
- Suivez les étapes de montage dans l'ordre. **NE SAUTEZ PAS LES ÉTAPES.**
- Vérifier périodiquement pour s'assurer que tous les connecteurs (boulons, vis, etc.) sont bien serrés.
- Conserver les instructions pour toute consultation ultérieure.

Ashley Furniture Industries, LLC décline toute responsabilité pour les dommages ou blessures pouvant survenir en raison de l'omission de bien suivre les instructions d'assemblage, assembler correctement le produit ou utiliser correctement le produit.

## BELANGRIJKE VEILIGHEIDS AANKONDIGING AANDACHTIG TE LEZEN ALVORENS BEGIN VERGADERING

- Dit apparaat bevat kleine onderdelen die gevaar voor verstikking opleveren voor kinderen jonger dan 3 jaar. Deze onderdelen zijn voor volwassen vergadering alleen en moeten permanent op de meubels worden aangebracht. Alle ongebruikte delen moeten naar behoren worden weggegooid.
- Om de assemblage proces gemakkelijker maken, vraag een vriend om u te helpen. \*\*\*2 personen vereist\*\*\*
- Gebruik altijd juiste hulpmiddelen.
- Controleer zorgvuldig de onderdelen en de hardwarelijst.
- Het is raadzaam dat u de eenheid op een beschermde oppervlakte of beklede vloer samenstellen te voorkomen krassen.
- Assemblage stappen in volgorde. **NIET ALLE STAPPEN OVERSLAAN.**
- Regelmatig controleren om ervoor te zorgen dat alle connectoren (bouten, schroeven, enz.) strak zijn.
- Bewaar de instructies voor toekomstig gebruik.

Ashley Furniture Industries, LLC aanvaardt geen aansprakelijkheid voor schade of verwondingen die zich te wijten aan niet goed voordoen kunnen volgen montage-instructies, het product goed te monteren of correct gebruik van het product.

# WE WANT YOUR FURNITURE TO LAST PLEASE READ

## CARE AND CLEANING INSTRUCTIONS

Congratulations on the purchase of your new product. Proper care and cleaning will extend the life of your purchase. To ensure your product maintains its finish and quality:

- Use a soft, clean cloth that will not scratch the surface when dusting
- Clean only with a slightly damp cloth
- Do not use chemical based products or solvents
- Liquid spills should be removed immediately
- Direct sunlight may fade or alter color of wood finishes

## INSTRUCTIONS DE NETTOYAGE ET DE SOINS

Toutes nos félicitations pour l'achat de votre nouveau produit. Bon entretien et un nettoyage prolonger la vie de votre achat. Pour vous assurer que votre produit maintient sa finition et sa qualité:

- Utilisez un chiffon doux et propre qui n'égratigne pas la surface lorsque l'époussetage
- Nettoyer uniquement avec un chiffon légèrement humide
- Ne pas utiliser chimique basé de produits ou de solvants
- Déversements de liquides doivent être retirés immédiatement
- Lumière directe du soleil peut s'estomper ou modifier la couleur de la finition en bois

## CUIDADO Y LIMPIEZA

Felicidades por la compra de su nuevo producto. El cuidado apropiado y la limpieza prolongar la vida de su compra. Para asegurar que el producto mantiene su calidad y acabado:

- Utilice un paño suave que no se reyará la superficie cuando el polvo
- Limpie sólo con un paño ligeramente humedecido
- ¿No use químicos basado en productos o disolventes
- Los derrames de líquidos deben eliminarse inmediatamente
- La luz solar directa puede desaparecer o alterar color de revestimientos de madera

## CUIDADO Y LIMPIEZA

Gefeliciteerd met de aankoop van uw nieuwe product. Juiste zorg en schoonmaak zal verlengen de levensduur van uw aankoop. Om ervoor te zorgen dat uw product handhaaft zijn afwerking en kwaliteit:

- Gebruik een zachte, schone doek dat geen op het oppervlak krassen zal wanneer afstoffen
- Alleen met een licht vochtige doek schoonmaken
- Doen niet gebruik chemische gebaseerd producten of oplosmiddelen
- Gemorste vloeistof moeten onmiddellijk worden verwijderd
- Direct zonlicht kan vervagen of veranderen van kleur van hout afwerkingen

# WE'RE HERE IF YOU NEED IT CONTACT US

## CUSTOMER SERVICE

To order replacement parts, or if you have any difficulty assembling this unit refer to the front page of this manual for model and serial # information along with finding the needed part number(s) from the parts list. Then call our customer service line. Please do not return and parts to the store.

## SERVICE À LA CLIENTÈLE

Pour commander des pièces de remplacement, ou si vous avez des difficultés à assembler les pièces voir la première page de ce manuel pour les informations de modèle et numéro de série ainsi que de trouver le numéro de partie nécessaire de la liste de pièces. Alors appelez notre service client. Prière de ne pas retourner toutes les pièces au magasin.

## SERVICIO AL CLIENTE

Para pedir piezas de repuesto, o si tienes alguna dificultad para ensamblar esta unidad refiérase a la portada de este manual para el modelo y # serial información junto a encontrar los números de parte necesaria de la lista de piezas. Luego llame a nuestra línea de servicio al cliente. Por favor, no devuelva las piezas a la tienda.

## KLANTENSERVICE

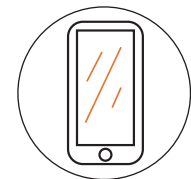
Te volgorde vervangende onderdelen, of als u problemen heeft dit apparaat te monteren verwijzen naar de voorpagina van deze handleiding voor model en seriële # informatie samen met het vinden van het benodigde deel nummer uit de onderdelenlijst met. Roep vervolgens onze klantenservice lijn. Ga niet delen terug naar de winkel.



[RTAParts@ashleyfurniture.com](mailto:RTAParts@ashleyfurniture.com)



[www.ashleyfurniture.parts](http://www.ashleyfurniture.parts)



1-844-966-0809

## HEADS UP



**45**  
Minutes

TIME



PEOPLE NEEDED

**Pro Tip:** Choose wisely.  
Your sanity depends on it.



LOW HIGH

EFFORT SCALE

(you've got this)

## BUST OUT



REQUIRED TOOL

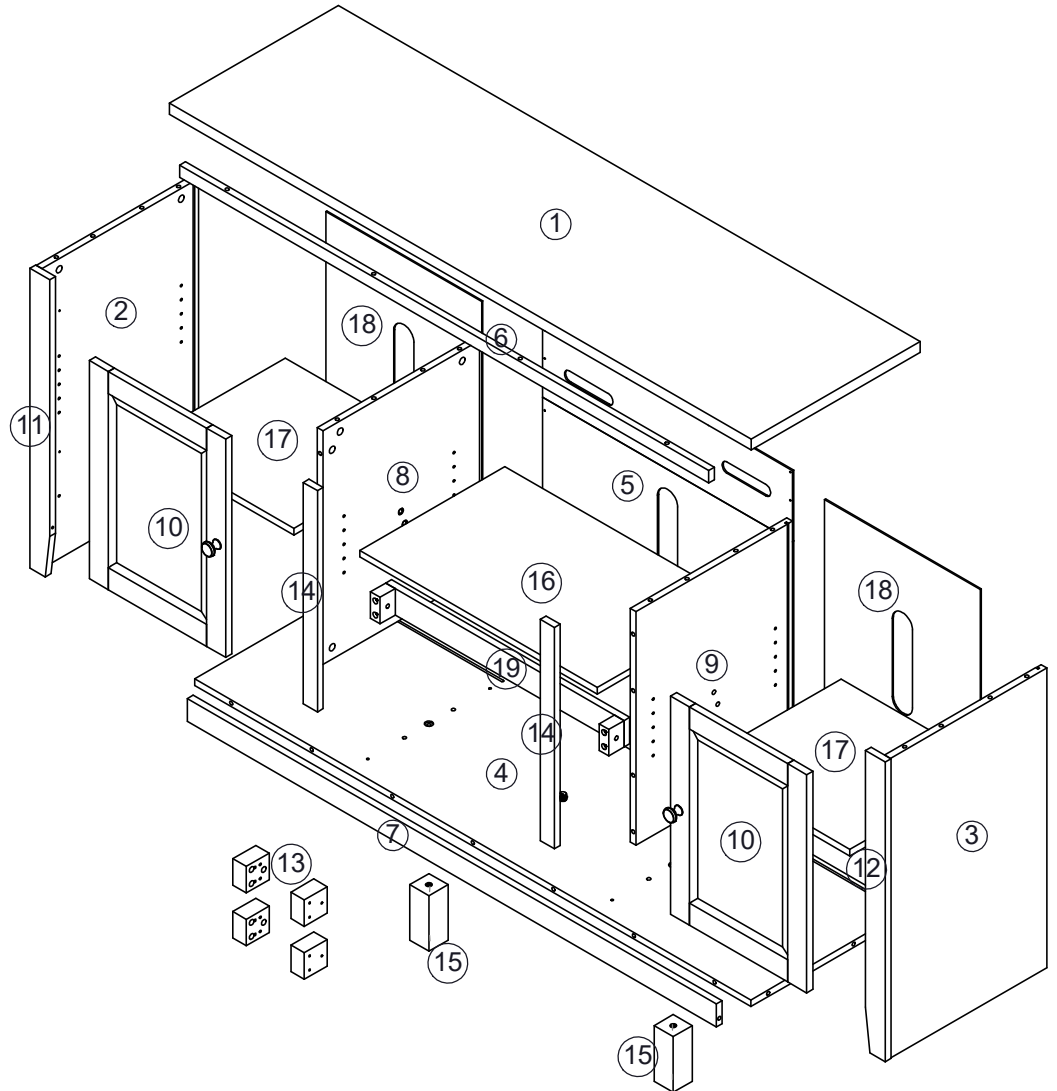


REQUIRED TOOL

- ① TOP (1)
- ② LEFT SIDE(1)
- ③ RIGHT SIDE(1)
- ④ BOTTOM(1)
- ⑤ UNIT BACK ASSY(1)
- ⑥ MOULDING(1)

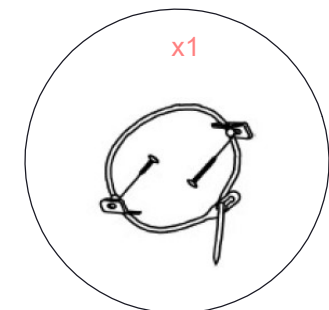
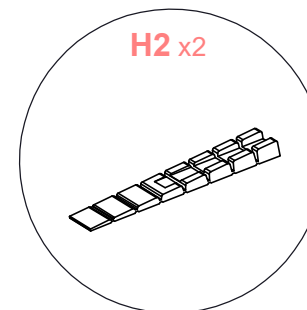
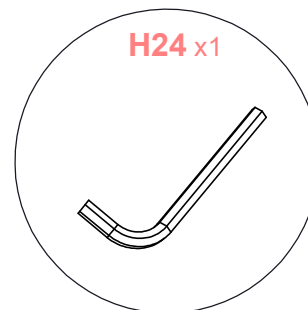
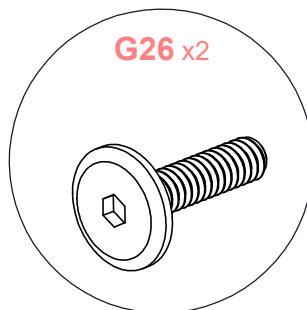
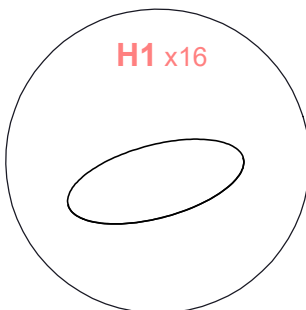
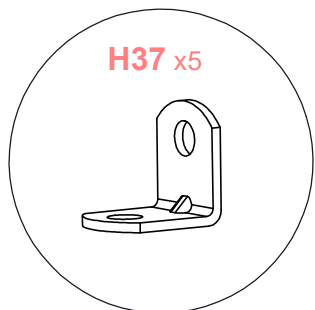
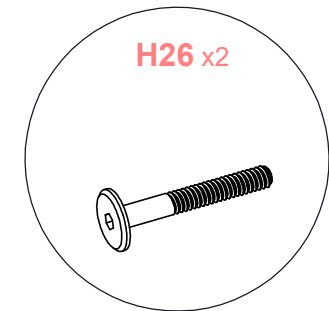
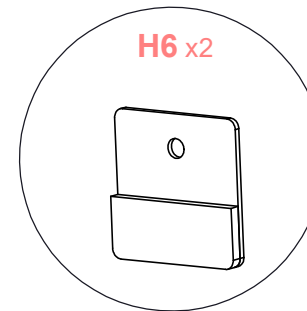
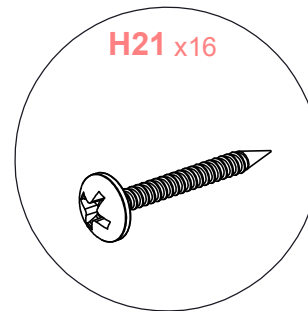
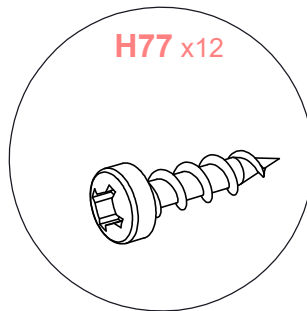
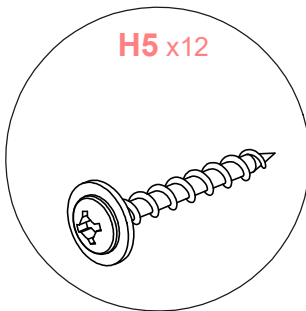
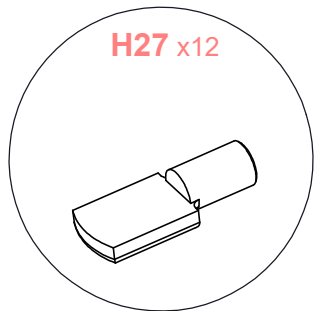
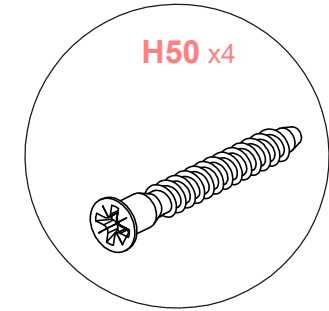
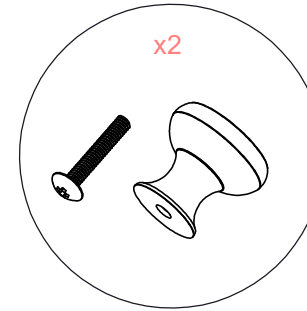
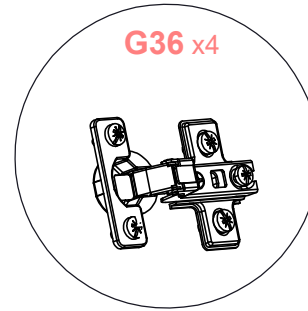
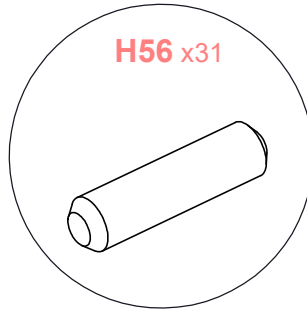
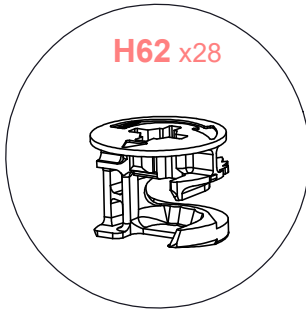
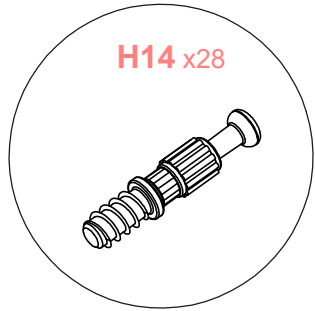
- ⑦ BASETRIPS(1)
- ⑧ LEFT DIVIDER(1)
- ⑨ RIGHT DIVIDER(1)
- ⑩ DOOR ASSY(2)
- ⑪ PILASTER LEFT(1)
- ⑫ PILASSTER RIGHT(1)

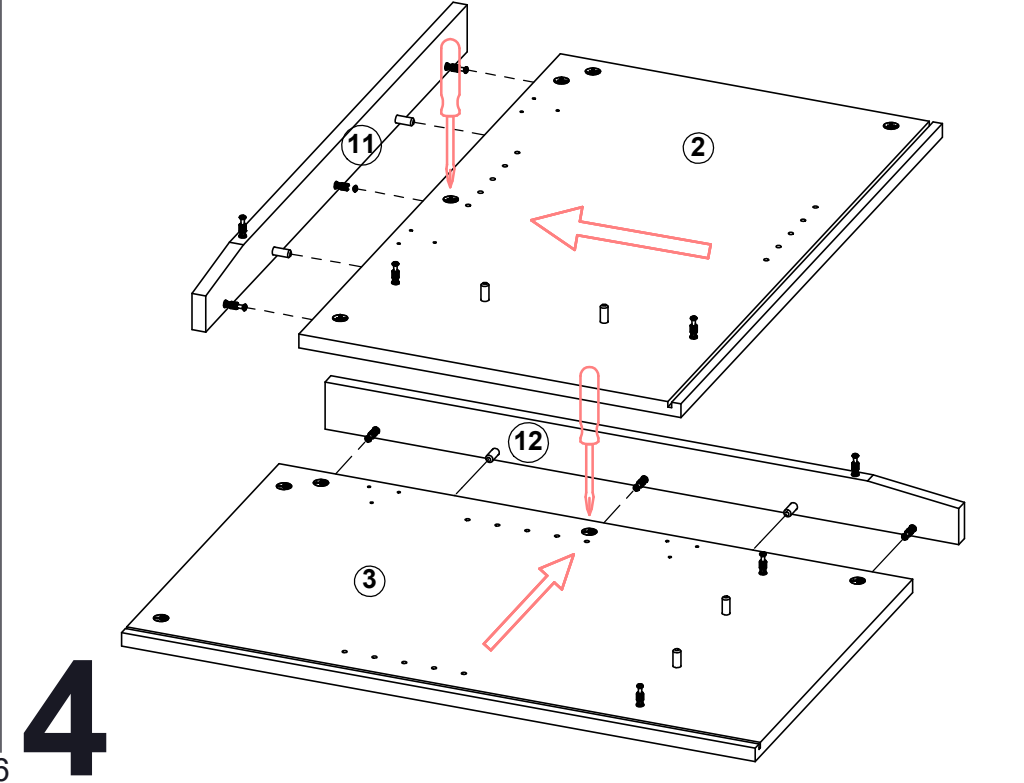
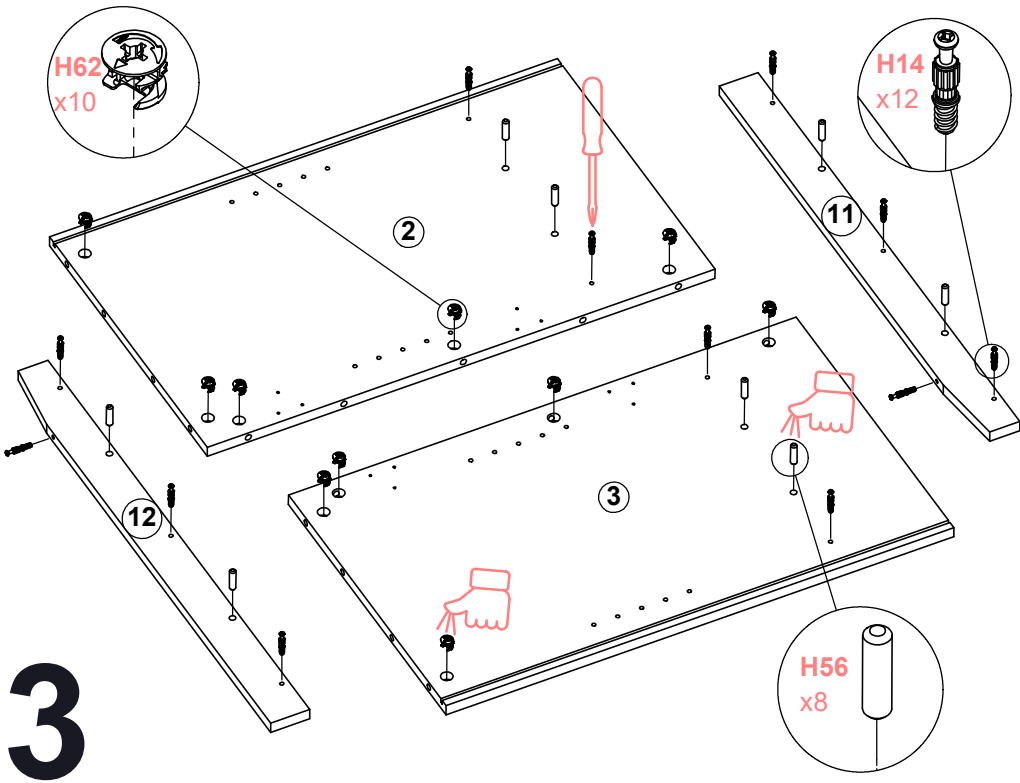
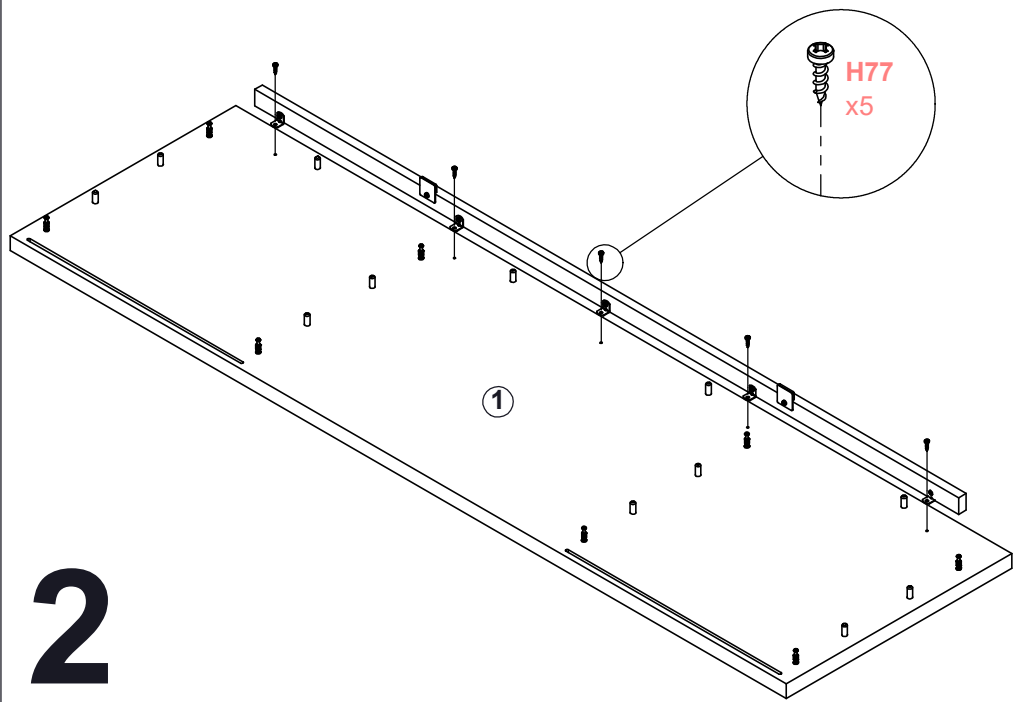
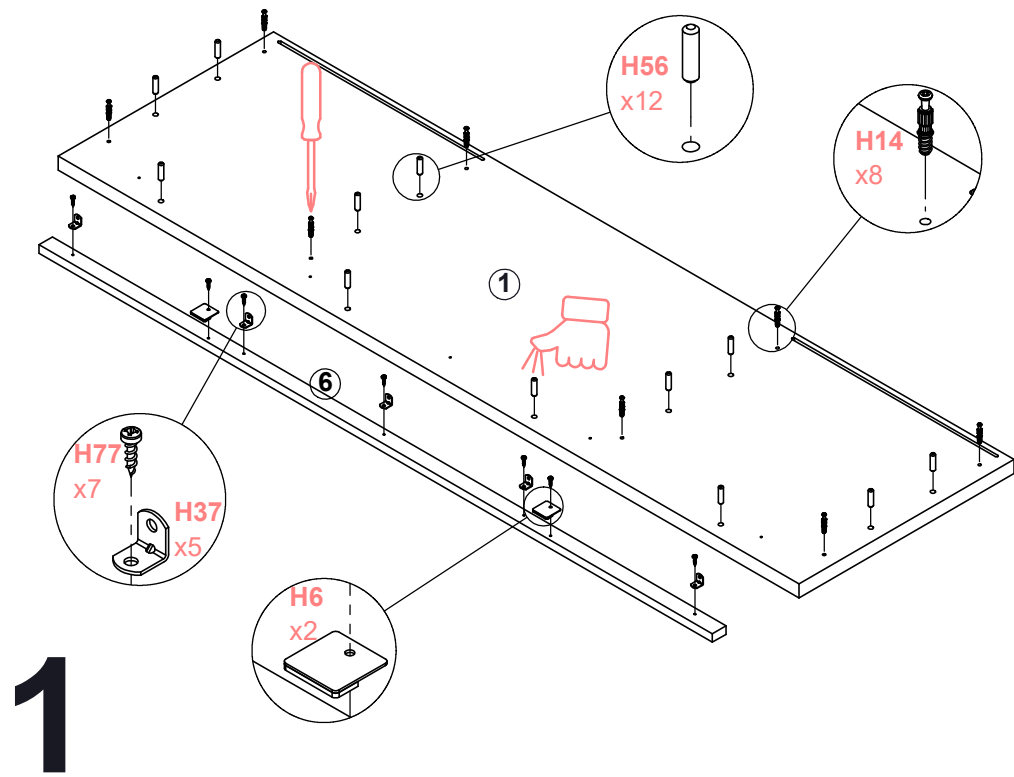
- ⑬ HINGE SUPPORT(4)
- ⑭ DIVIDER RAIL(2)
- ⑮ CENTER LEG ASSY(2)
- ⑯ CTR ADJ SHELF(1)
- ⑰ SD ADJ SHELF(2)
- ⑱ SD UNIT BACK (2)
- ⑲ CENTER RAIL ASSY(1)

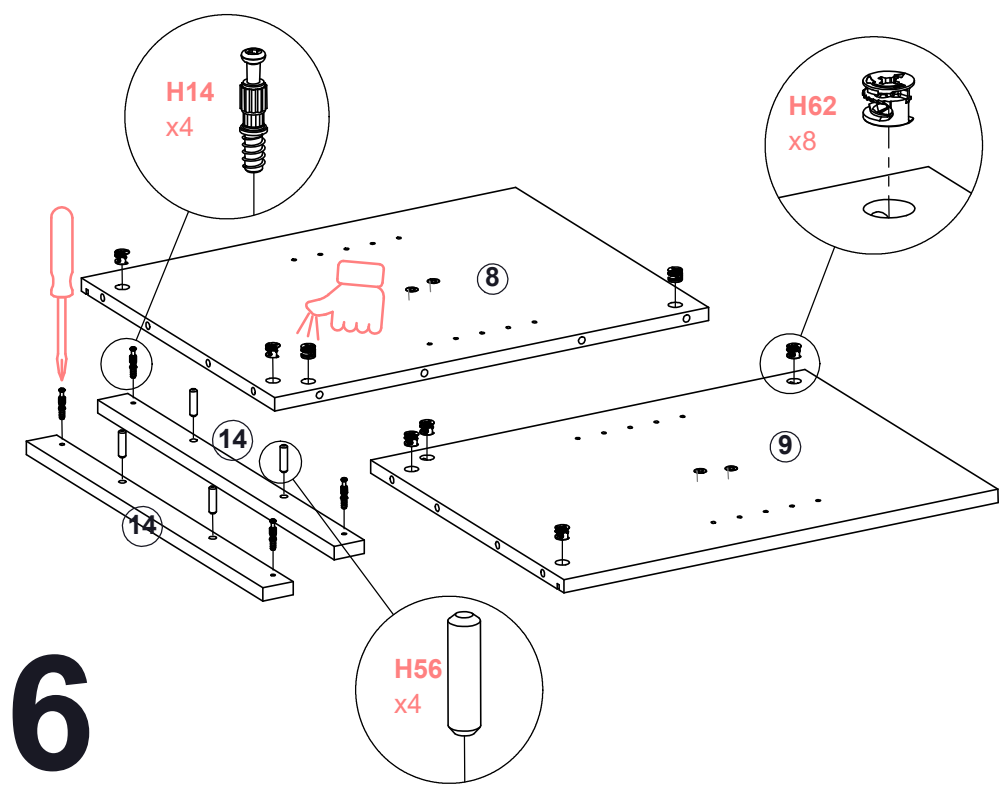
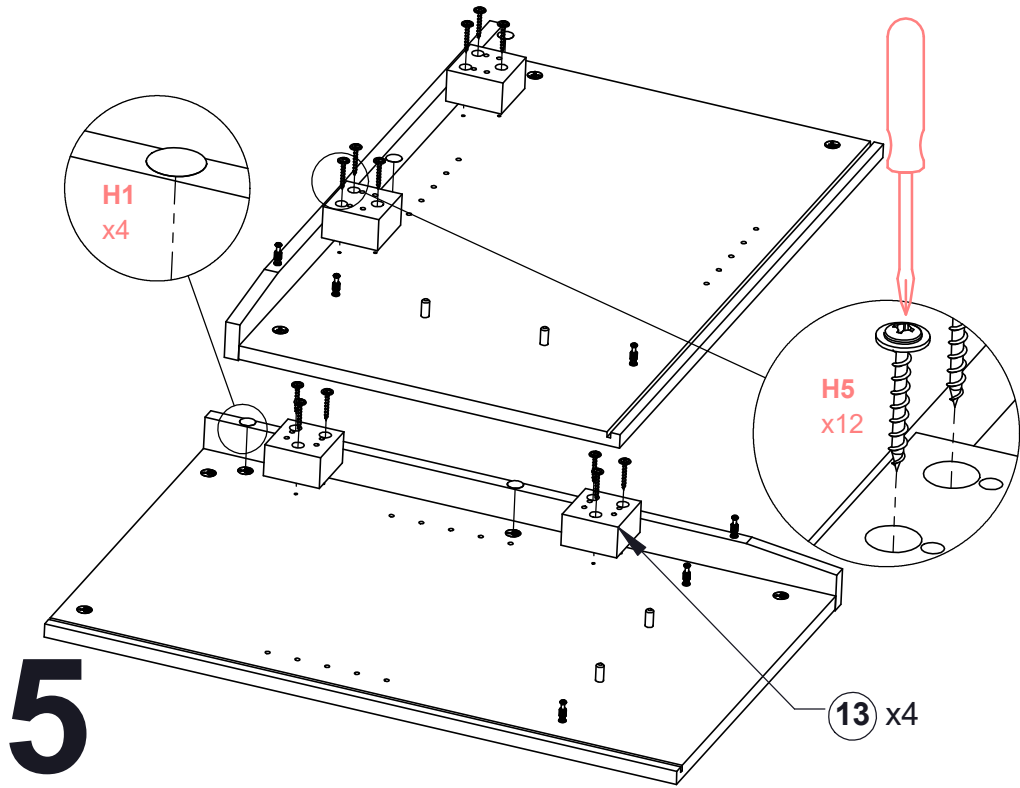


# COMPONENTS

# HARDWARE

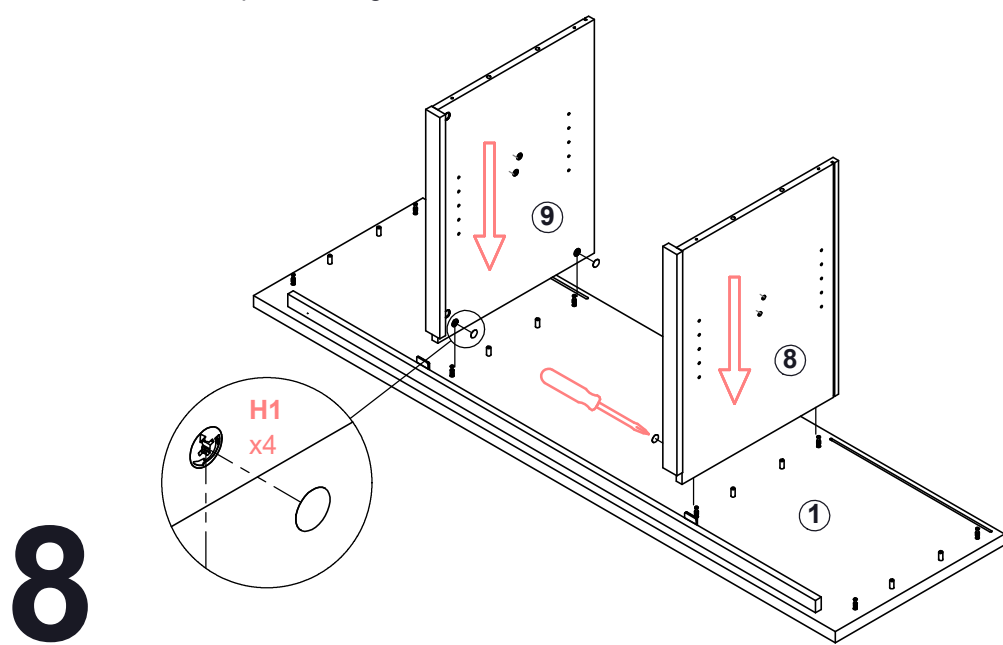
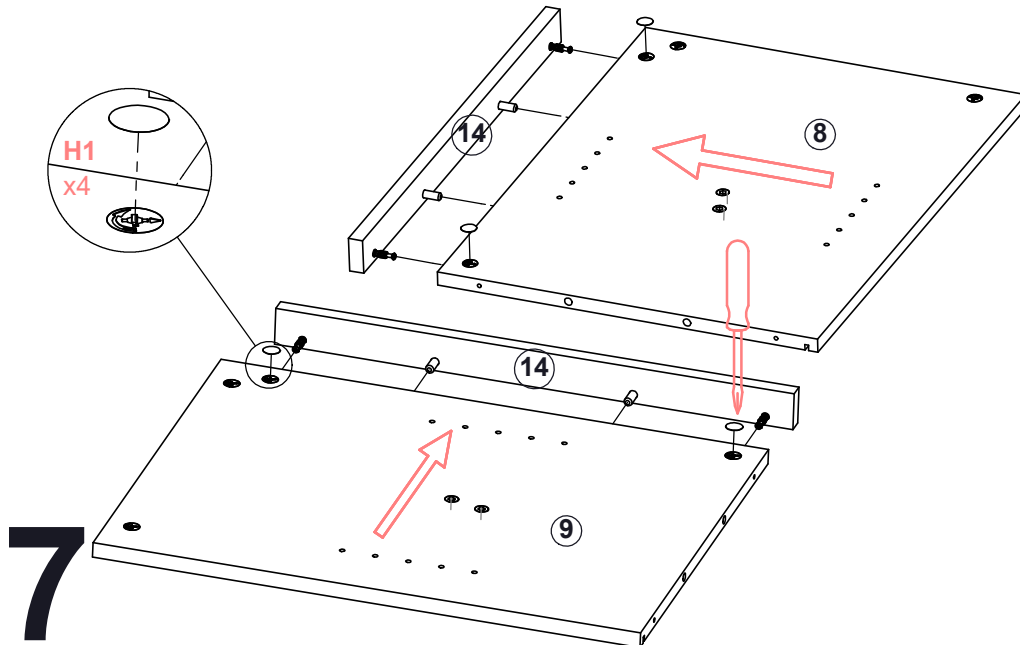






- Tighten H62 then paste H1 to cover H62.
- Apriete H62 y luego pegue H1 para cubrir H62
- Serrez H62 puis collez H1 pour couvrir H62
- Draai H62 vast en plak vervolgens H1 om H62 te bedekken.

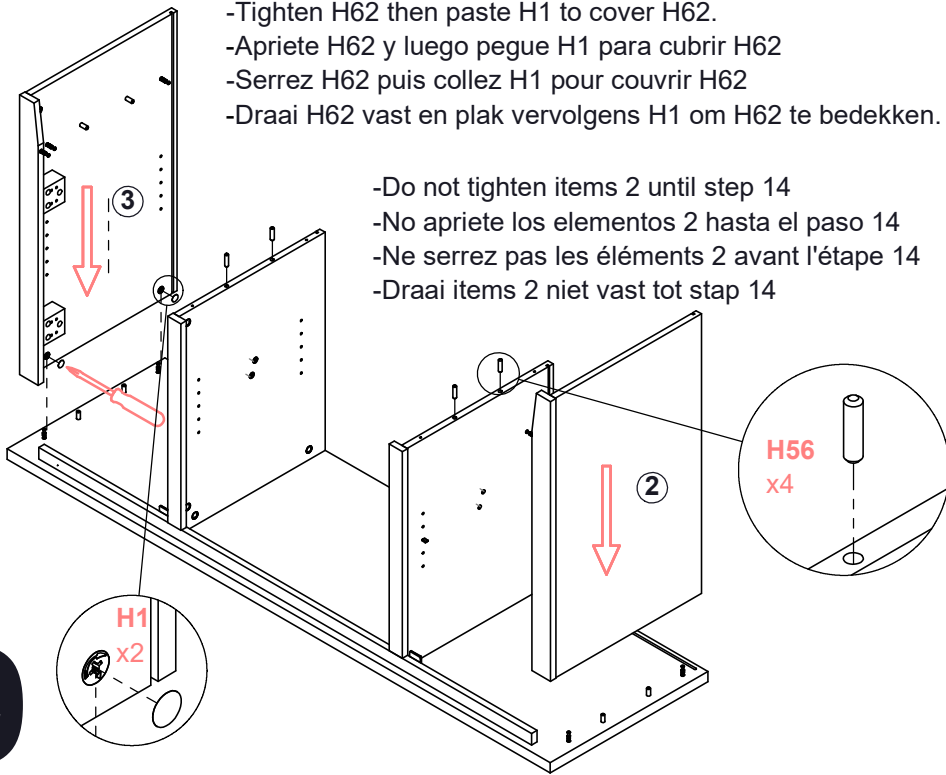
- Tighten H62 then paste H1 to cover H62.
- Apriete H62 y luego pegue H1 para cubrir H62
- Serrez H62 puis collez H1 pour couvrir H62
- Draai H62 vast en plak vervolgens H1 om H62 te bedekken.



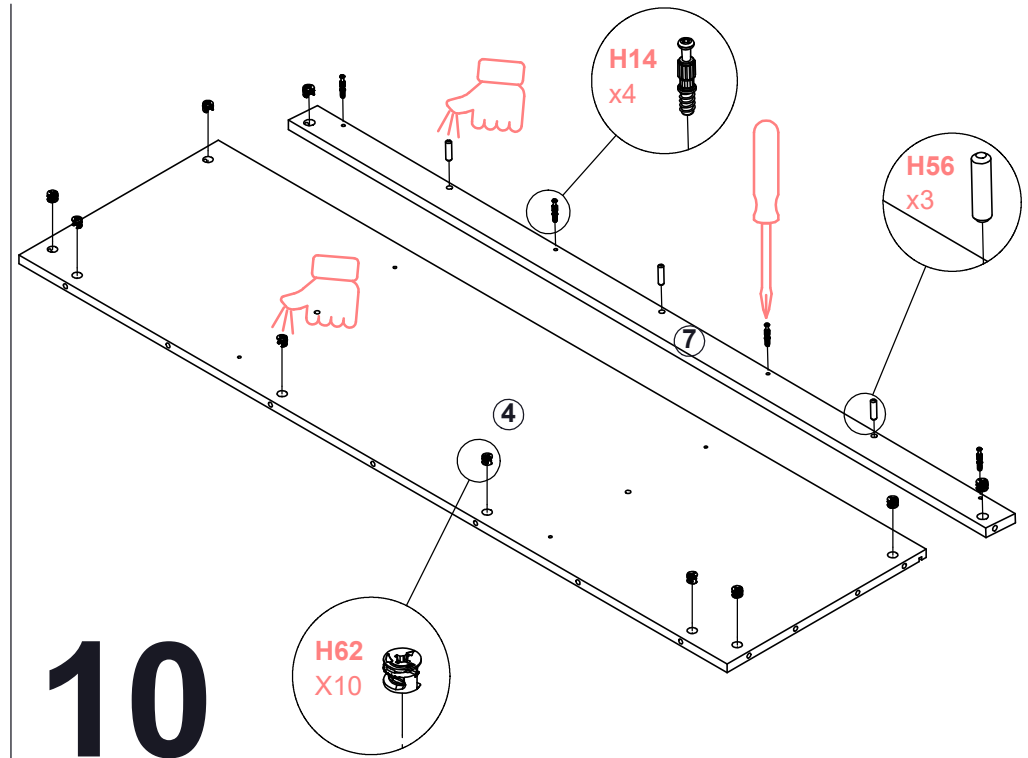
- Tighten H62 then paste H1 to cover H62.
- Apriete H62 y luego pegue H1 para cubrir H62
- Serrez H62 puis collez H1 pour couvrir H62
- Draai H62 vast en plak vervolgens H1 om H62 te bedekken.

- Do not tighten items 2 until step 14
- No apriete los elementos 2 hasta el paso 14
- Ne serrez pas les éléments 2 avant l'étape 14
- Draai items 2 niet vast tot stap 14

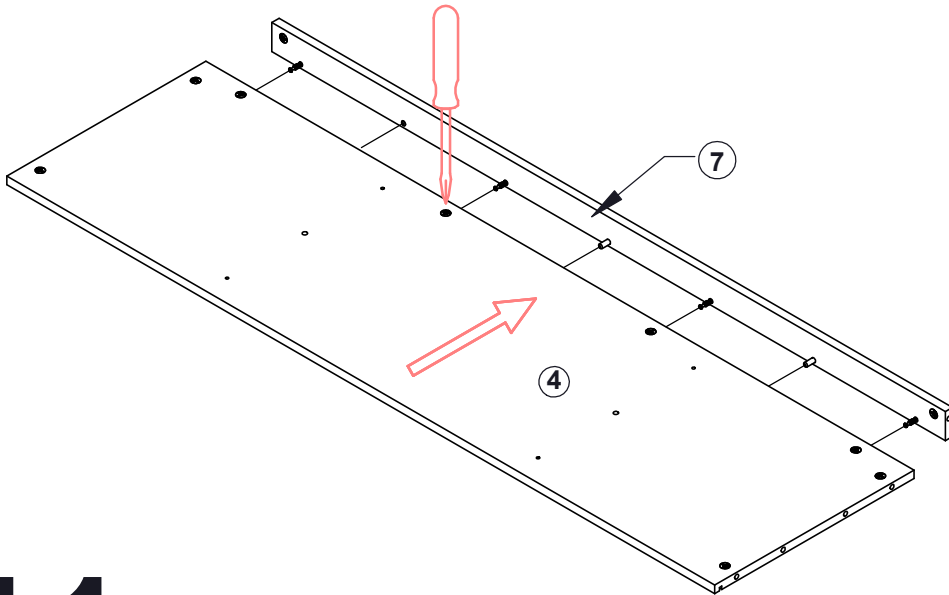
# 9



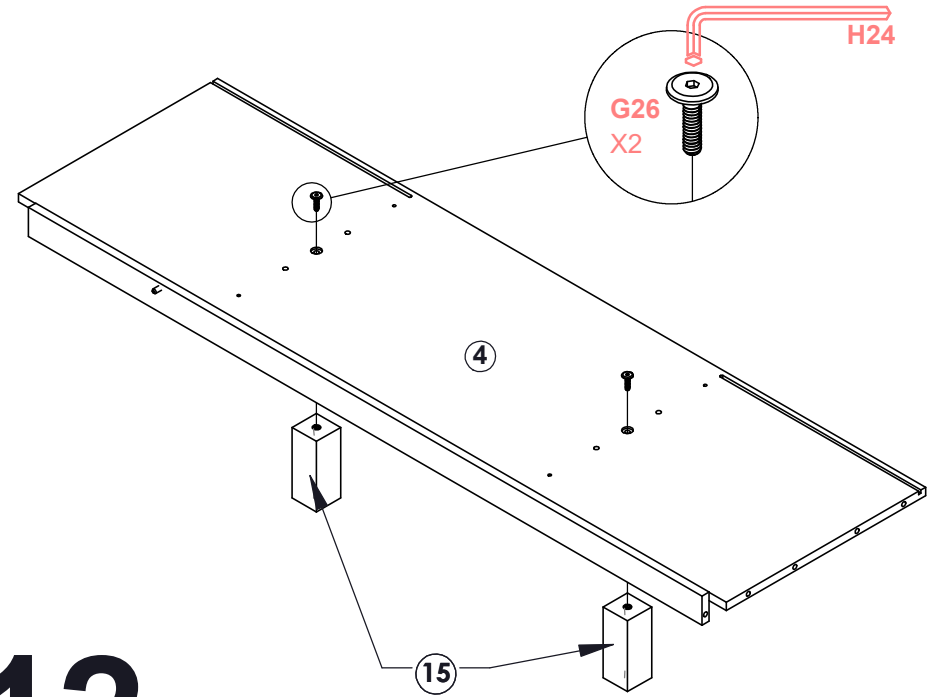
# 10



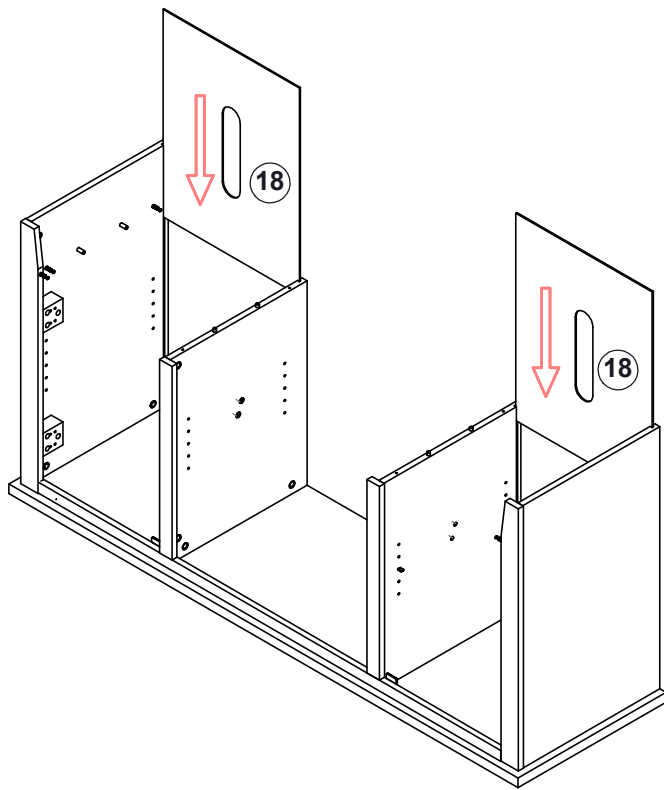
# 11



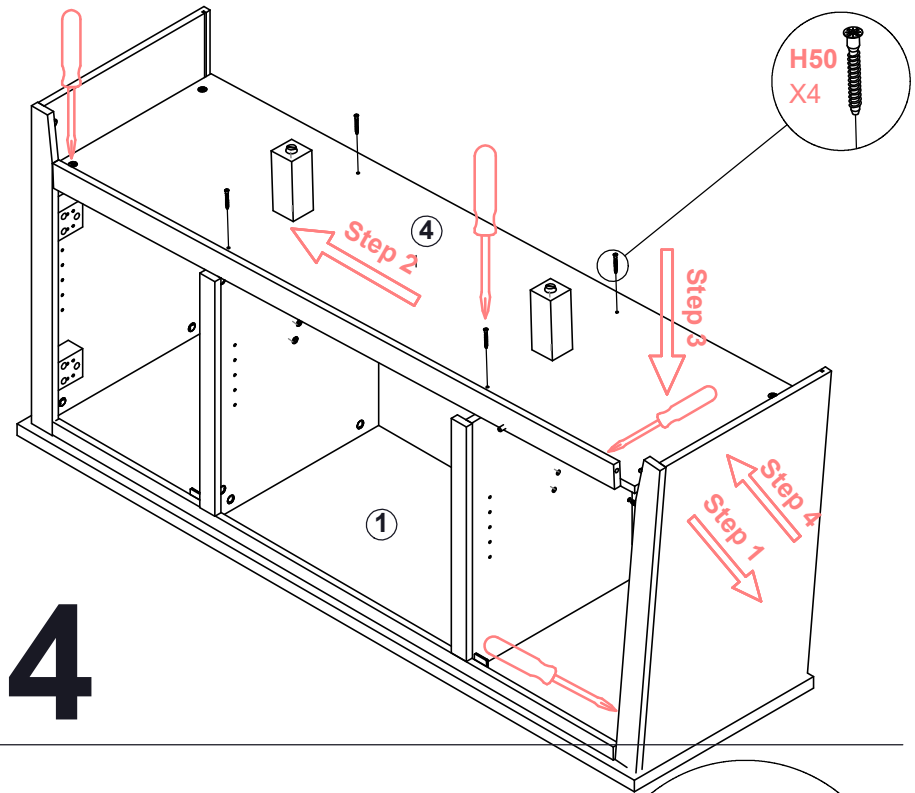
# 12



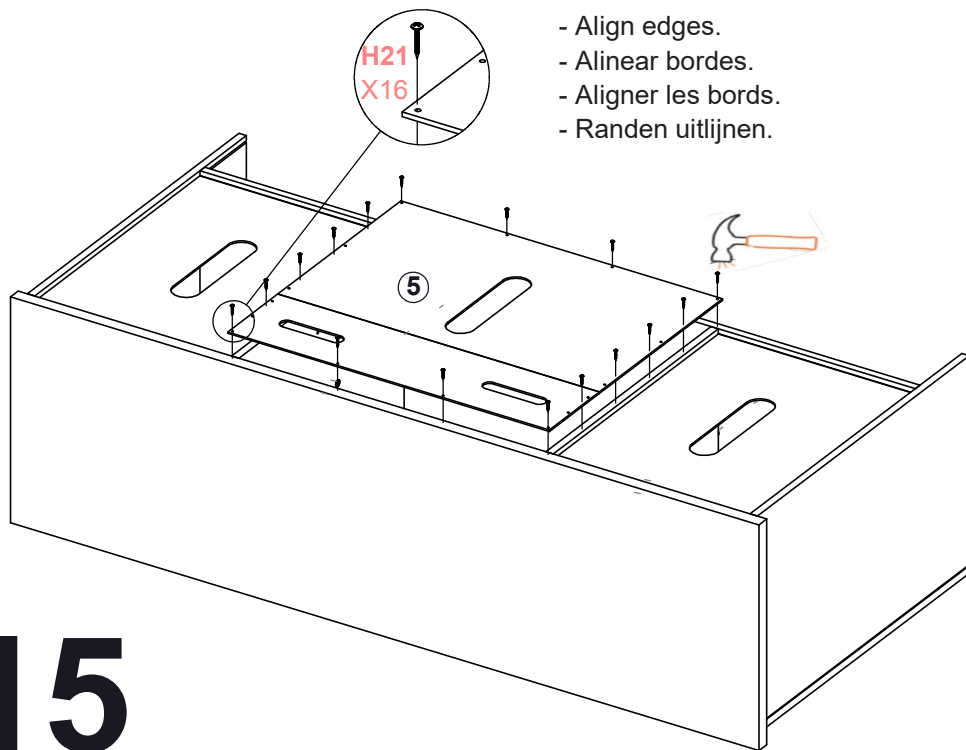
# 13



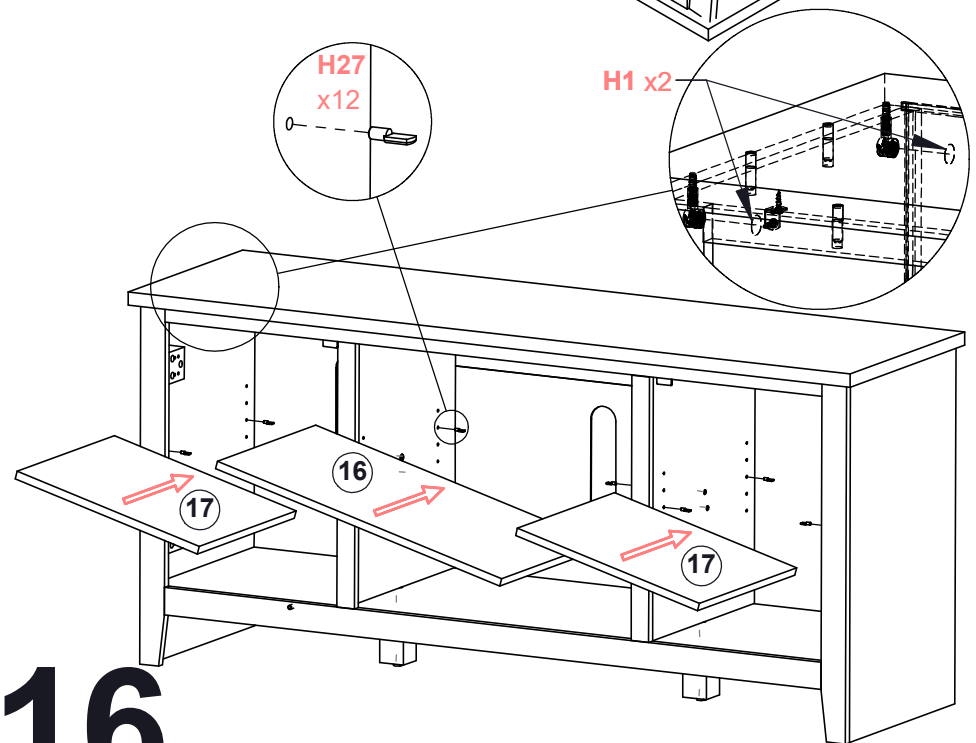
# 14



# 15

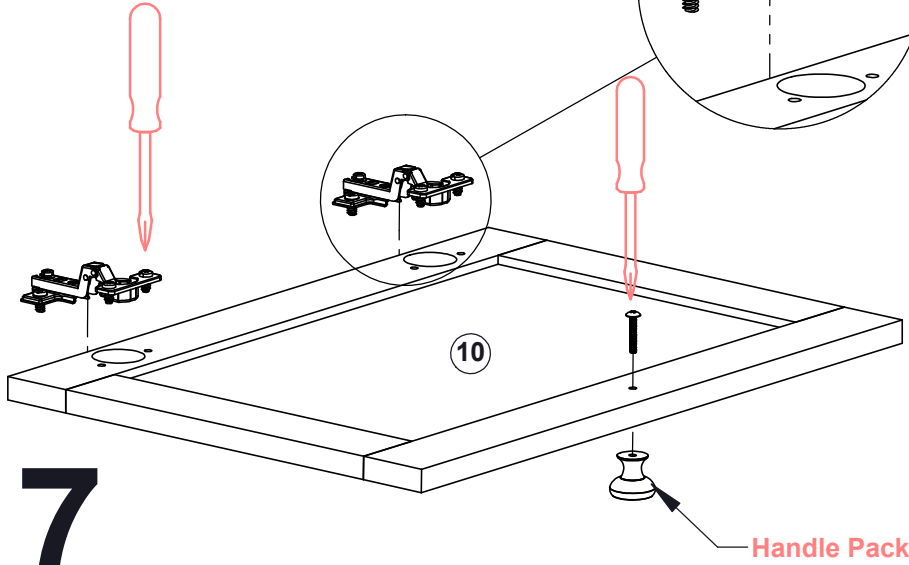


# 16

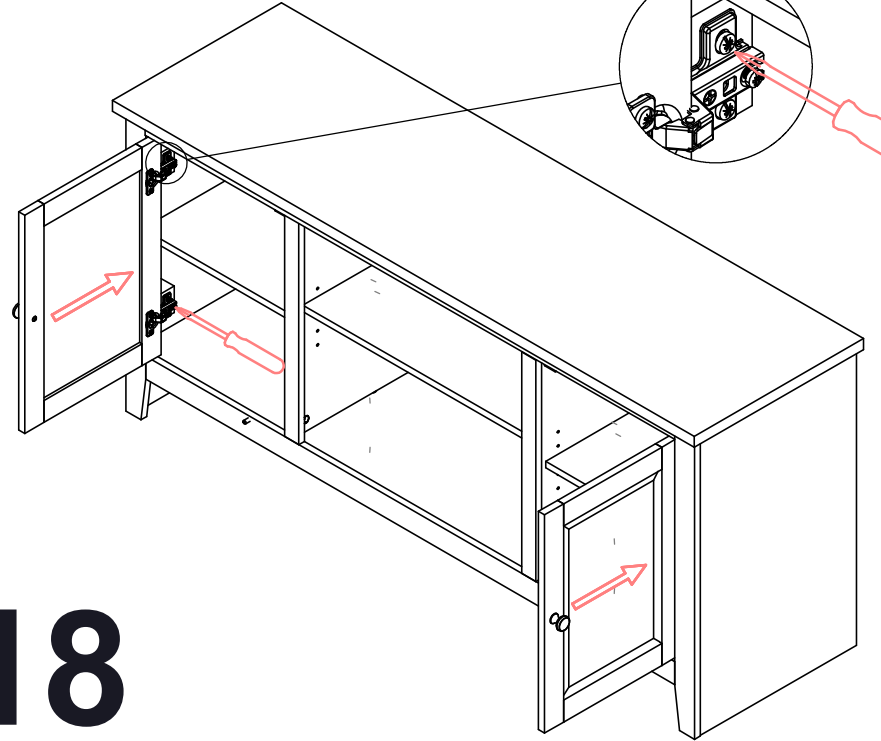
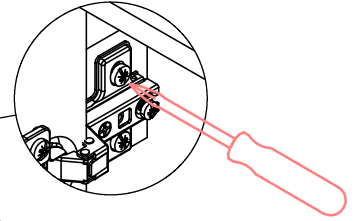


X2

G36  
X2



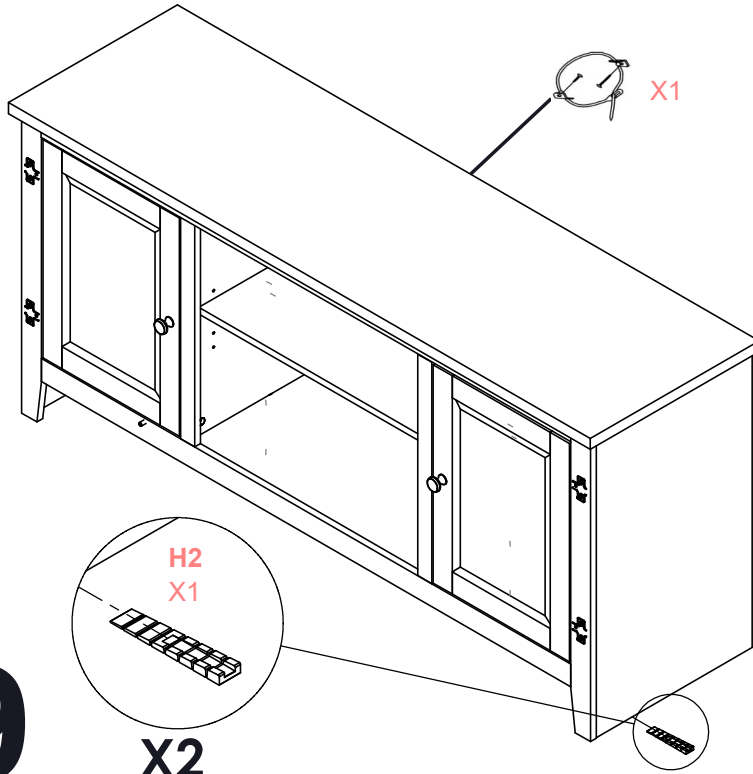
17



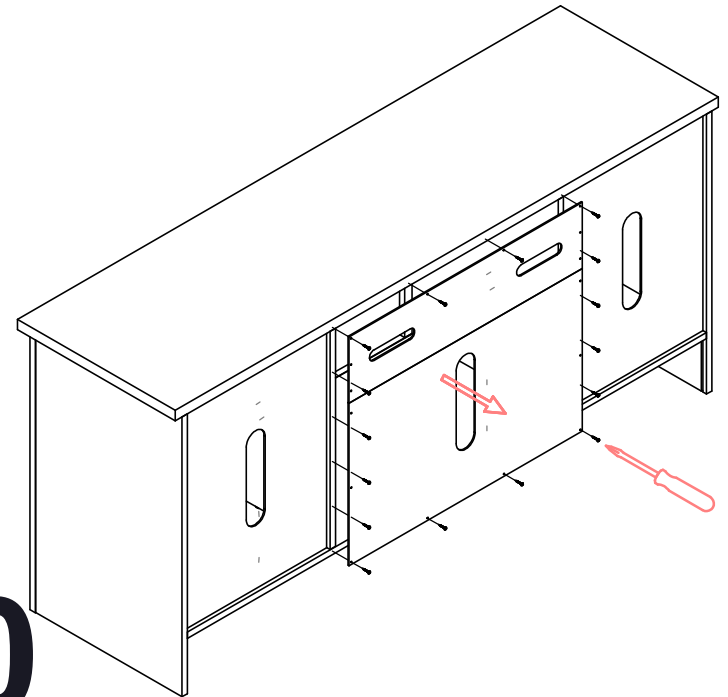
18

### Optional Fireplace Insert

X1

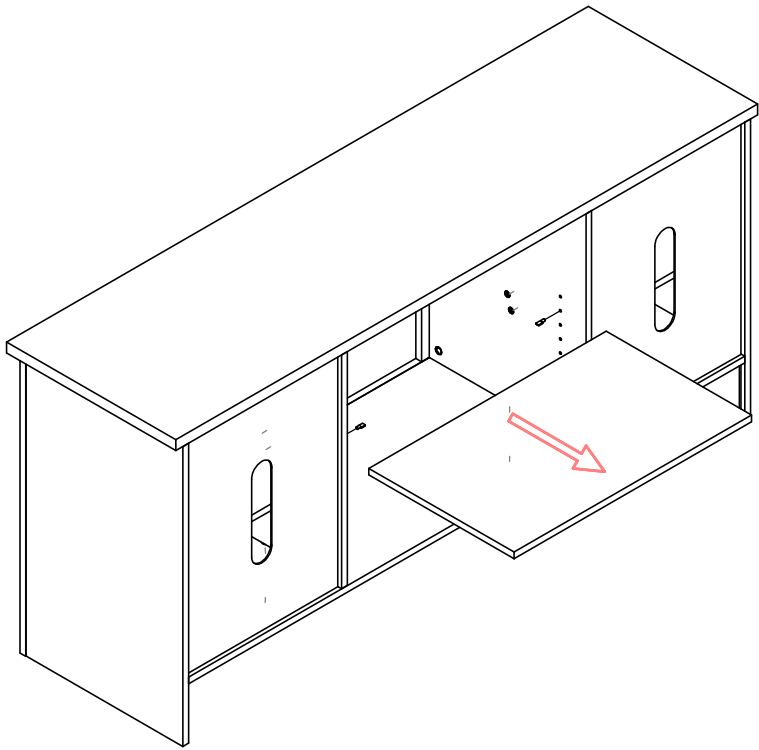


19

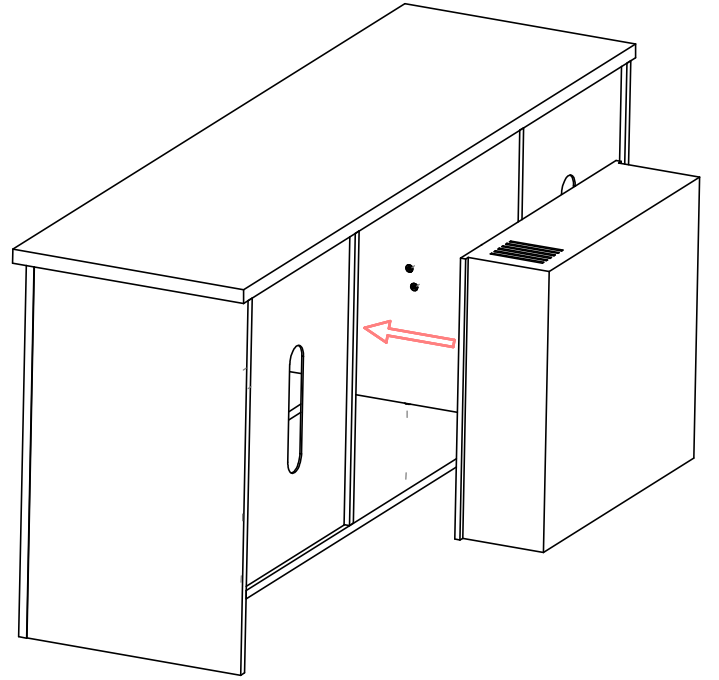


10  
20

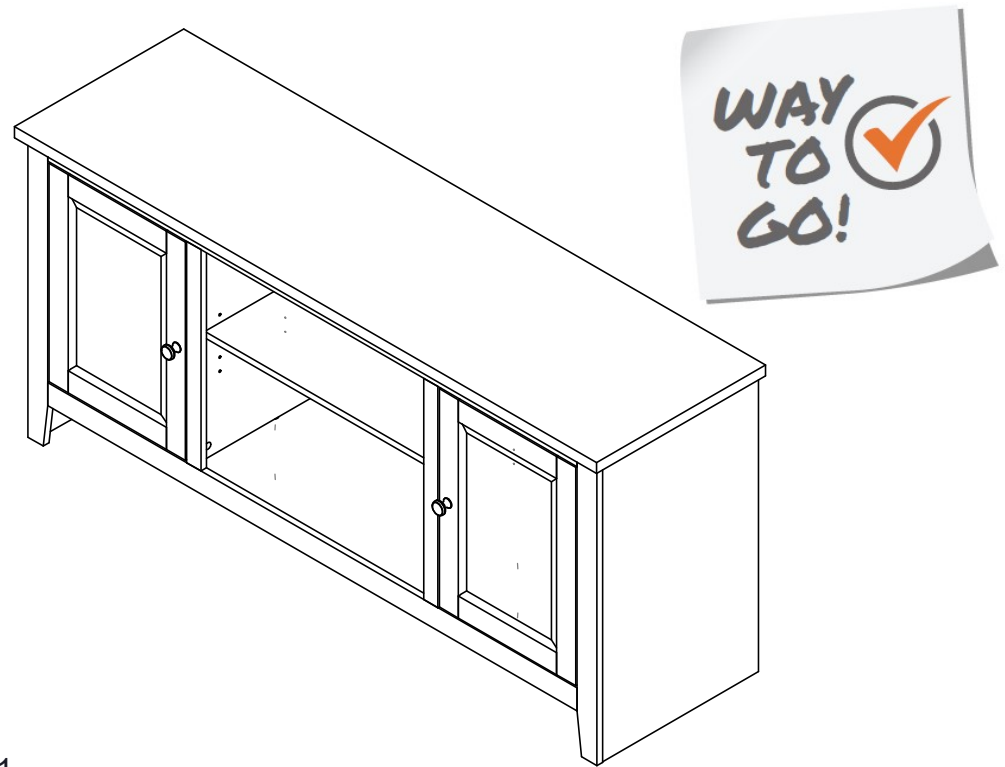
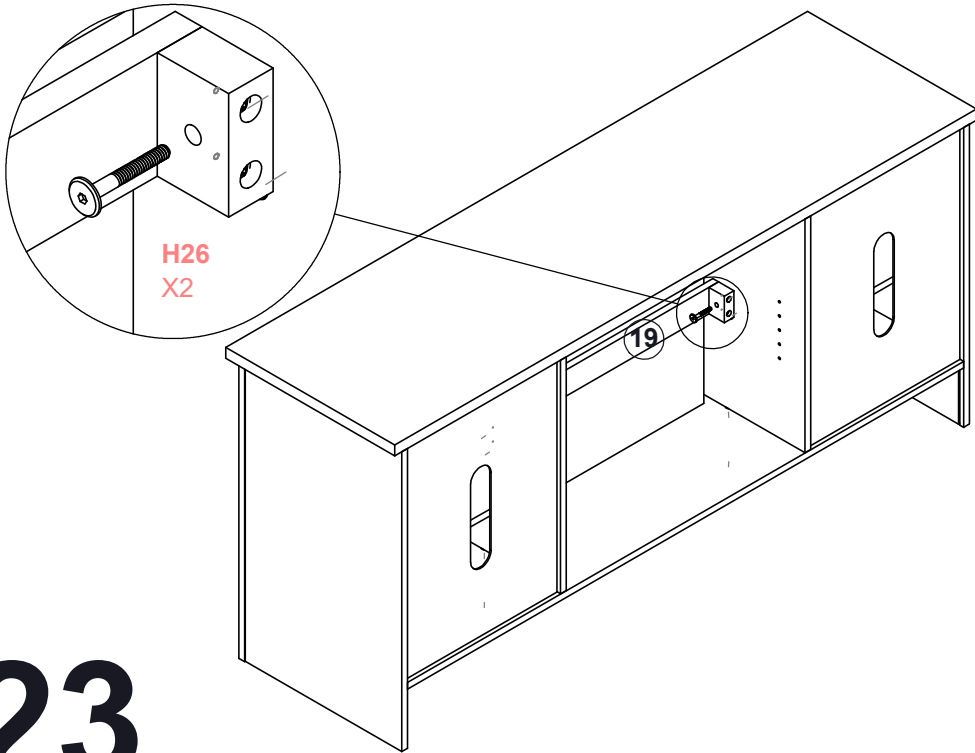
21



22



23



# Hinge Adjustments | Ajustes de bisagra | Ajustements de la charnière | Scharnieraanpassingen

## If door appears crooked:

Adjust screw as shown on top or bottom hinge until door is parallel with door frame

## Si la puerta parece torcida:

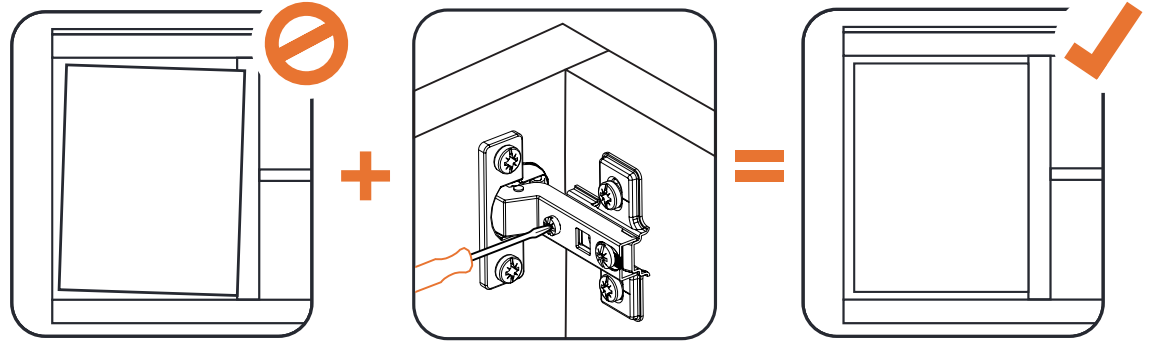
Ajuste el tornillo como se muestra en la bisagra superior o inferior hasta que la puerta es paralelo al marco de la puerta

## Si la porte semble tordue:

Ajustez la vis comme indiqué sur la charnière supérieure ou inférieure jusqu'à ce que la porte est parallèle au cadre de la porte

## Als de deur scheef lijkt:

Stel de schroef af zoals afgebeeld op het bovenste of onderste scharnier totdat de deur is parallel met deurkozijn



## If door has an uneven gap:

Adjust screw as shown on top and bottom hinge to slide hinge up or down until the door gap on the top & bottom is even

## Si la puerta tiene un espacio desigual:

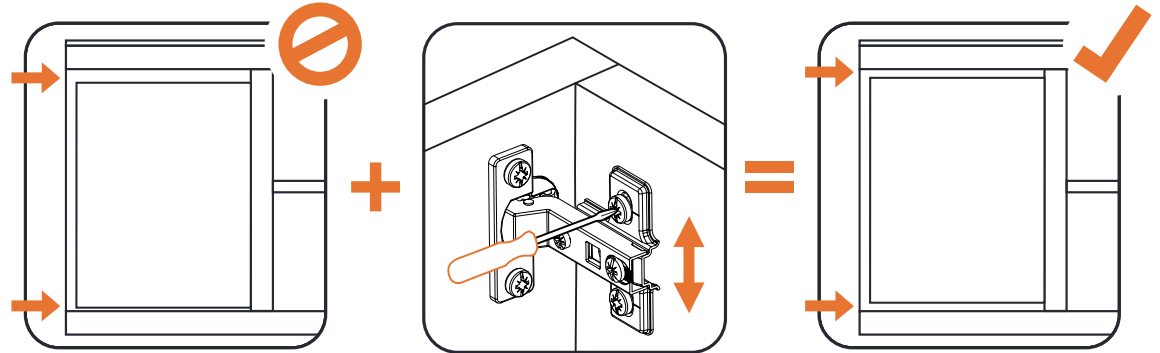
Ajuste el tornillo como se muestra en la bisagra superior e inferior para deslizar la bisagra hacia arriba o hacia abajo hasta que el espacio de la puerta en la parte superior e inferior sea parejo

## Si la porte a un espace inégal:

Ajustez la vis comme indiqué sur la charnière supérieure et inférieure pour faire glisser la charnière vers le haut ou vers le bas jusqu'à ce que l'espace de la porte en haut et en bas soit égal

## Als de deur een ongelijke opening heeft:

Stel de schroef af zoals afgebeeld op het bovenste en onderste scharnier om het scharnier omhoog te schuiven of omlaag totdat de deuropening aan de boven- en onderkant gelijk is



## If door is rubbing on the side:

Adjust screw as shown on top and bottom hinge to slide hinge forward or backward to increase or decrease the gap on the side

## Si la puerta está rozando en el costado:

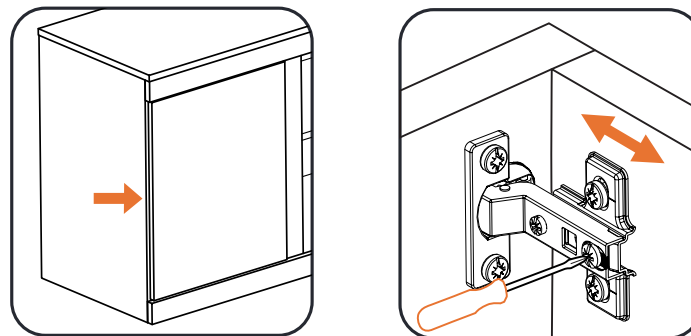
Ajuste el tornillo como se muestra en la bisagra superior e inferior para deslizar la bisagra hacia adelante hacia atrás para aumentar o disminuir el espacio en el lado

## Si la porte frotte sur le côté:

Ajustez la vis comme indiqué sur la charnière supérieure et inférieure pour faire glisser la charnière vers l'avant ou vers l'arrière pour augmenter ou diminuer l'écart sur le côté

## Als de deur aan de zijkant wrijft:

Stel de schroef af zoals afgebeeld op het bovenste en onderste scharnier om het scharnier naar voren te schuiven of achteruit om de opening aan de zijkant te vergroten of te verkleinen



## Warranty Information

### LIMITED WARRANTIES

The following Limited Warranties are given only to the original retail purchaser, subject to all the terms and conditions below. These Limited Warranties are non-transferable:

Ashley Furniture Industries, LLC (the “Warrantor”), subject to all the limitations and exclusions described in these Limited Warranties, warrants the following products and parts against material manufacturing defects for the duration set forth next to that product or part in the table below.

Product Part	Limited Warranty Duration	Labor Coverage
<b>Frames Used in Upholstered &amp; Leather Products</b>	Limited Lifetime Warranty*	1 Year
<b>Springs</b> The metal spring systems are generally, sinuous, wire seat springs, and, where applicable, back springs.	5 Year Limited Warranty	1 Year
<b>Recliner Mechanisms</b>	3 Year Limited Warranty	1 Year
<b>Sleeper Mechanisms</b>	3 Year Limited Warranty	1 Year
<b>Unattached Cushioning**</b> Unattached Cushion means each cushion core in a unattached (loose) seat cushion.	1 Year Limited Warranty	1 Year
<b>Attached Cushioning**</b> Attached Cushion means each cushion core in a seat cushion which is attached to the product.	1 Year Limited Warranty	1 Year
<b>Leather and Upholstery Fabric***</b>	1 Year Limited Warranty	1 Year
<b>Top of Bed</b> Top of Bed means comforters, bed skirts, pillow shams, and any accent pillows included with a comforter set.	30 Days	30 Days
<b>Finishes and all Other Furniture Products</b> Finishes and all other Furniture Products means all finishes and other parts, components, and other furniture products not specifically included in the above Limited Warranties, including but not limited to dining room tables, chairs, occasional tables, beds, dressers, sleeper mattresses, marble tops, granite tops, desks, curio cabinets, china cabinets, buffets, entertainment centers, lamps, electrical components (other than light bulbs), recliner pull cords and handles incorporated into any furniture product.	1 Year Limited Warranty	1 Year

\*As used in these Limited Warranties, “lifetime” means the normal useful life of the product under reasonable use.

\*\*All seat cushion cores in both Unattached Cushioning and Attached Cushioning will soften with normal use and will conform to the shape of the user. This shall be considered normal wear, and shall not be considered a loss of resiliency or a material manufacturing defect.

\*\*\*The Leather and Upholstery Fabric Limited Warranty also includes seam slippage, cracking, and dye transfers. Leather is a natural product, and, as such, each hide will reflect its own individuality. Some variations of shade and tone are to be expected, as are nicks, scratches, and wrinkles that only occur in genuine leather; these characteristics are in no way to be considered a defect. These Limited Warranties do not cover tears, flattening of nap, pilling, fading, or shrinking and is not valid when heavy soiling or abuse is evident. These Limited Warranties also do not cover protective finishes, velvets, velvet types, since by their very nature, these fabrics are of soft texture and will crush, shade and mark more readily than most fabrics; these characteristics are in no way to be considered a defect.

### LIMITATIONS AND EXCEPTIONS

The following limitation and exceptions apply to the Limited Warranties:

#### Remedy

Under these Limited Warranties, for all of its products other than an Unattached Cushion (as defined in the topical heading “Unattached Cushioning”), the sole liability of Warrantor is limited to repair, or at its option, replacement the applicable product or part not in conformity with these Limited Warranties. REFUNDS ARE NOT AVAILABLE. If within the warranty period, identical materials are unavailable at the time of repair or replacement, Warrantor reserves the right to substitute materials of equal or better quality. Replacement fabrics may vary in color from the original due to dye lot differences.

In addition, during the period of any applicable Labor Coverage, Warrantor will pay, within one year from the date of purchase, reasonable and customary labor rates to repair or replace the defective parts (at Warrantor’s option) and shipping costs from the retailer to and from Warrantor, at no charge to the original retail purchaser. After the expiration of the Labor Coverage or for all products or parts not covered by Labor Coverage, the original retail purchaser will be responsible for labor, packing, and all shipping and transportation costs. The costs associated with transporting the furniture or parts from your home to the retailer or from the retailer to your home are excluded from all Limited Warranties.

For Unattached Cushions with a material manufacturing defect, Warrantor will replace the defective Unattached Cushion provided that the original retail purchaser during the warranty period (i) complies with the Claim Procedure set forth in these Limited Warranties and (ii) if requested by Warrantor, returns the defective cushion core contained within an Unattached Cushion to Roomsolutions Brand, Attn: Director of Quality, One Ashley Way, Arcadia, WI 54612. The remedy

specified in the paragraph is Warrantor sole liability related to Unattached Cushions.

**Any item repaired or replaced under these Limited Warranties will be covered by the Limited Warranties for the remainder of the original warranty period only.**

### **All Products**

These Limited Warranties do not apply to (i) rented, business, commercial, institutional, or other non-resident uses (ii) merchandise that was, at any time, used as a floor sample or display model, (iii) any merchandise purchased “as is” or second-hand, (iv) any merchandise purchased at a distress sale or a going-out-of-business sale, (v) any merchandise purchased from a liquidator, or (vi) merchandise obtained from a rental retailer. All warranties, whether express or implied, cover only normal household usage. No warranty, express or implied, applies to any condition resulting from misuse, abuse, delivery or transportation damage, nor any condition resulting from incorrect or inadequate maintenance, cleaning or care. These Limited Warranties are null and void if furniture has been moved from original point of delivery to consumer.

### **Chemical Treatments**

These Limited Warranties do not cover damages or defects caused by use of chemical treatments or protective coatings on the finish, leather, or upholstered fabric by the retailer or the original retail purchaser, and any such chemical treatments or protective coatings voids all warranties of Warrantor.

### **Leather, Upholstered Fabric and Finishes**

The Limited Warranties on “Leather”, “Upholstered Fabric” and “Finishes and all Other Furniture Products” do not cover (i) damages resulting from excessive soiling, improper or unapproved cleaning methods, (ii) fading or other damages resulting from exposure to sunlight, (iii) damages resulting from household humidity, or (iv) damages resulting from any liquid, including but not limited to alcohol and water. CAUTION: Any use of improper or unapproved cleaning methods voids all warranties of Warrantor.

### **Modifications to Products**

These Limited Warranties do not apply to any products that have been altered by any person, dealer, or company without the express written authorization of Warrantor.

### **Implied Warranties**

IMPLIED WARRANTIES, INCLUDING ANY OF MERCHANTABILITY AND FITNESS FOR A PARTICULAR PURPOSE IMPOSED ON THE SALE OF THIS FURNITURE AND ITS PARTS UNDER STATE LAW, ARE LIMITED IN DURATION TO THE WARRANTY PERIOD AND NO WARRANTIES APPLY AFTER THAT PERIOD. SOME STATES DO NOT ALLOW LIMITATIONS ON HOW LONG AN IMPLIED WARRANTY LASTS, SO THE ABOVE LIMITATIONS MAY NOT APPLY TO YOU.

### **DISCLAIMER**

NO OTHER EXPRESS WARRANTY HAS BEEN MADE OR WILL BE MADE ON BEHALF OF WARRANTOR WITH RESPECT TO THE FURNITURE AND ITS PARTS, OR THE OPERATION, REPAIR, OR REPLACEMENT OF THE FURNITURE AND ITS PARTS. FURTHERMORE, NO REPRESENTATIVE OF WARRANTOR OR ITS DISTRIBUTORS OR RETAILERS IS AUTHORIZED TO MAKE ANY CHANGES OR MODIFICATIONS TO THESE LIMITED WARRANTIES.

SOME RETAILERS OFFER EXTENDED OR ADDITIONAL WARRANTIES, INCLUDING BUT NOT LIMITED TO EXTENDED OR ADDITIONAL FABRIC WARRANTIES, EITHER FROM THE RETAILER OR THROUGH A THIRD-PARTY. WARRANTOR SHALL NOT BE LIABLE UNDER ANY EXTENDED OR ADDITIONAL WARRANTIES OFFERED BY ANY

RETAILER OR THROUGH A THIRD-PARTY UNDER ANY CIRCUMSTANCES. IN NO EVENT SHALL WARRANTOR BE RESPONSIBLE FOR CONSEQUENTIAL OR INCIDENTAL DAMAGES, SUCH AS LOSS OF USE, INCONVENIENCE, LOSS OR DAMAGE TO PERSONAL PROPERTY, WHETHER INDIRECT OR DIRECT, AND WHETHER ARISING IN CONTRACT OR TORT EVEN IF IT HAD REASON TO KNOW IN ADVANCE THAT SUCH DAMAGES WERE POSSIBLE. SOME STATES DO NOT ALLOW THE EXCLUSION OR LIMITATION OF INCIDENTAL OR CONSEQUENTIAL DAMAGES, SO THE FOREGOING LIMITATION OR EXCLUSION MAY NOT APPLY TO YOU. IN NO EVENT SHALL WARRANTOR'S RESPONSIBILITY EXCEED THE PURCHASE PRICE OF THE PRODUCT OR ITS REPLACEMENT.

This warranty gives you specific legal rights, and you may also have other rights that vary from state to state.

### **CAUTION**

Motion furniture (recliners, sleeper sofa, etc.) has many moving parts. Caution must be used in operation (opening, closing, etc.). Children should not be allowed to play on or operate motion furniture. Always leave recliners in an upright position and keep hands and feet clear of mechanism. Only the occupant should operate it.

### **CLAIM PROCEDURE**

To obtain warranty services, the original retail purchaser must comply with the requirements of the Claim Procedure.

Contact the Roomsolutions authorized retailer from whom you purchased your furniture, to obtain warranty service. All claims must include the original bill of sale, the product serial number, and be filed within the applicable warranty period. Warrantor reserves the right to require defective parts be returned upon request. You must make arrangements with the retailer to schedule the transportation of the furniture or parts from your home to the retailer or from the retailer to your home. If the retailer from which you purchased the furniture has closed and you need service, contact Ashley in writing or call our Customer Service.

### **Signature Design Brand Warranty and Retailer Information**



© October 2021, Ashley Furniture Industries, LLC. All rights reserved.  
Signature Design is a registered trademark of Ashley Furniture Industries, LLC

## IMPORTANT SAFETY NOTICE: READ CAREFULLY BEFORE BEGINNING ASSEMBLY!



- \* Always use proper tools.
- \* Follow the assembly steps in order. Do not skip any steps.
- \* Be sure to check all packing materials carefully for small parts may have come loose inside the carton during shipment. If parts are missing, contact the retailer from which you purchased the product to obtain any missing parts. **DO NOT USE SUBSTITUTE PARTS.**
- \* Periodically check to ensure that all connectors (bolts, screws, etc.) are tight.
- \* Keep the instructions for future reference.
- \* Some assembly may involve attaching glass or mirrors. Be very careful handling the glass or mirrors, as severe injury may result if the glass or mirror breaks. Never handle large pieces of glass or mirrors by yourself.
- \* When assembling products that have electric cords (lamps, light, etc.), always (1) make sure the electrical cord is unplugged before assembly and (2) be careful not to twist the electrical cord during assembly.
- \* When assembling shelves or entertainment centers, do not stand on lower shelves in order to assemble upper shelves—use a step ladder.
- \* Do not stand on tables, including but not limited to, end tables, coffee tables, and dinner tables, as tables are not to support the weight of a person.
- \* Where assembly instructions state that the assembly requires two or more people, do not attempt by yourself as there is a risk of injury.

**NOTE:** ASHLEY FURNITURE INDUSTRIES, LLC DISCLAIMS ANY LIABILITY FOR DAMAGES OR INJURIES WHICH MAY OCCUR DUE TO FAILURE TO PROPERLY FOLLOW ASSEMBLY INSTRUCTIONS, PROPERLY ASSEMBLE THE PRODUCT, OR PROPERLY USE THE PRODUCT.

**NOTE: YOUR UNIT MAY LOOK DIFFERENT IN APPEARANCE FROM THE ONE SHOWN IN THE ILLUSTRATIONS ON THIS INSTRUCTION SHEET.**

## NOTICIA IMPORTANTE DE SEGURIDAD: LEA CUIDADOSAMENTE ANTES DE COMENZAR A ENSAMBLAR

- \* Siempre use las herramientas apropiadas.
- \* Siga los pasos de ensamble en orden. No salte ningún paso.
- \* Asegúrese de comprobar con cuidado todos los materiales de embalaje en busca de piezas pequeñas que hayan podido desprenderse dentro del cartón durante el envío. Revise la lista de partes. Si faltan partes, comuníquese con el surtidor del cual usted compró el producto para obtener las partes que le faltan. **NO USE PARTES SUSTITUTAS.**
- \* Periódicamente revise para asegurarse que todos los conectores (pernos, tornillos, etc.) estén bien apretados.
- \* Guarde las instrucciones para referencia futura.
- \* Algunos de los ensambles involucran vidrios o espejos. Tenga cuidado al manejar estos vidrios o espejos, ya que puede lesionarse severamente si uno de estos vidrios o espejos se rompe. Nunca maneje piezas grandes de vidrio o espejo sin ayuda.

- \* Al armar productos con cables eléctricos (lamps, lights, etc.), siempre (1) asegúrese que el cable esté desenchufado antes de armar (2) tengacuidado de no doblar el cable al marmar.
- \* Al armar repisas o centros de entretenimiento, no se pare en las repisas de abajo para armar las repisas de arriba—use una escalera.
- \* No se pare en las mesas, incluyendo pero sin límite a, mesas laterales, mesas de centro, mesas de comedor, ya que estas mesas no están diseñadas para soportar el peso de una persona.
- \* Si las instrucciones dicen que se debe usar dos o más personas no trate de armarlo solo, ya que corre el riesgo de lastimarse.
- \* Adecuado para su uso en interiores (25C)
- \* El cable flexible externo o cordón de esta luminaria no pueden ser reemplazados; si el cable está dañado, se destruyó el mobiliario.

**NOTE:** Las Industrias de Muebles Ashley, LLC no se hace responsable por danos o lesiones que puedan ocurrir por no seguir las instrucciones de ensamblaje correctamente, el ensamble apropiado del producto, o el uso apropiado del mismo

**NOTA: LA UNIDAD PUEDE PRESENTAR UNA APARIENCIA DIFERENTE DE LA QUE SE MUESTRA EN LAS ILUSTRACIONES DE LA HOJA DE INSTRUCCIONES.**

## REMARQUE IMPORTANTE CONCERNANT LA SECURITÉ: LIRE ATTENTIVEMENT AVANT DE COMMENCER LE MONTAGE!

- \* Utilisez toujours les outils adaptés.
- \* Suivez l'ordre des étapes de montage. N'en sautez aucune.
- \* Assurez-vous de vérifier attentivement tous les matériaux d'emballage parce que les petites pièces peuvent se détacher à l'intérieur de la boîte lors de l'expédition. Faites l'inventaire attentif de toutes les pièces. Si une ou plusieurs pièces manquent, contactez votre revendeur pour obtenir les pièces en question. **N'UTILISEZ PAS DE PIÈCES DE SUBSTITUTION.**
- \* Vérifiez de temps à autre que tous les connecteurs (boulons, vis, etc.) sont bien serrés.
- \* Gardez ces instructions pour pouvoir les consulter ultérieurement.
- \* Certaines étapes du montage peuvent nécessiter l'installation de verres ou de miroirs. Soyez extrêmement prudent lors de la manipulation des verres ou des miroirs, car vous pourriez vous blesser gravement si le verre venait à casser. Ne manipulez jamais seul de grands objets en verre ou de grands miroirs.

- \* Lors de l'assemblage des produits qui comportent des fils électriques (lampes, lumières, etc.), assurez-vous toujours (1) que le câble électrique est débranché avant de procéder au montage et (2) faites attention à ne pas secouer le câble électrique pendant le montage.
- \* Lors du montage des étagères ou un meuble audio-vidéo, ne vous tenez pas sur les étagères inférieures pour installer les étagères supérieures. Utilisez un escabeau.
- \* Ne vous tenez pas sur les tables, ce qui comprend mais pas uniquement, les tables d'extrémité, les tables basses, les tables à dîner, car elles ne sont pas destinées à supporter le poids des personnes.
- \* Lorsque les instructions de montage mentionnent que l'installation nécessite deux personnes ou plus, n'essayez pas de monter vous-même le produit, car vous risqueriez de vous blesser.

**REMARQUE:** ASHLEY FURNITURE INDUSTRIES, LLC NE SE TIENT AUCUNEMENT RESPONSABLE DE TOUT DOMMAGES OU BLESSURES DUS AU NON RESPECT DES INSTRUCTIONS DE MONTAGE ET D'UTILISATION DU PRODUIT.

**REMARQUE: VOTRE MEUBLE PEUT ETRE DIFFERENT DE CELUI MONTRE SUR L'ILLUSTRATION DE CETTE FEUILLE D'INSTRUCTIONS.**

## 重要安全提示：组装家具前请仔细阅读以下指南！

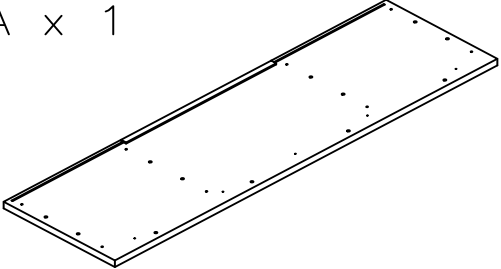
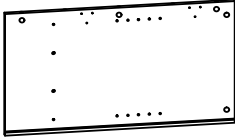
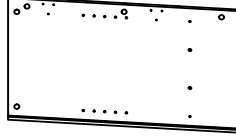
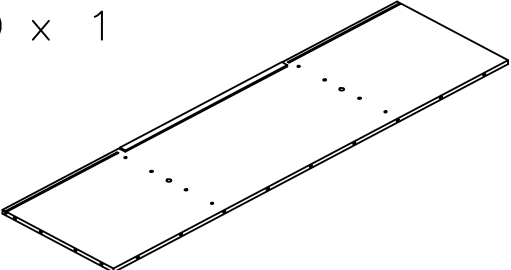
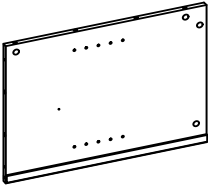
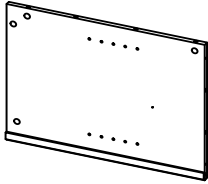
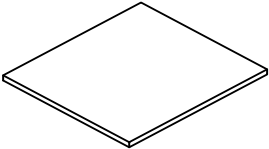
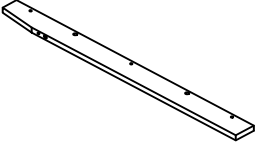
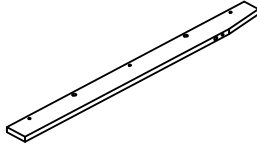
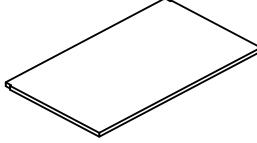
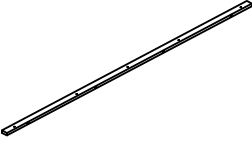
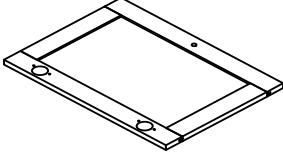
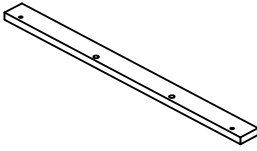
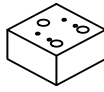
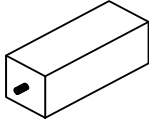
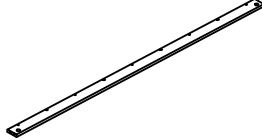
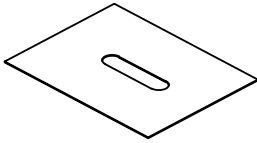
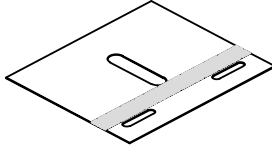


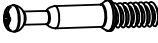

- \* 请使用合适的工具进行组装。
- \* 按照组装步骤逐步完成，请勿跳过任一步骤。
- \* 由于小的零部件有可能在运输过程中散落于包装箱内，请仔细检查包装材料。如若发现部件丢失，请及时联系当地零售商以获取丢失部件。请勿用其它零部件替代。
- \* 定期检查以确保所有连接处（螺丝，螺杆等）均已拧紧。
- \* 请妥善保存该安装说明，以备将来需要时参考。
- \* 当产品中用到玻璃和镜子，安装时请小心操作，以防玻璃或镜子破碎造成伤害。请勿独自安装大块玻璃或者镜子。

- \* 对于附有电线的产品（台灯，立灯等），安装时请确保以下两点：
  1. 安装之前确保电源断开。
  2. 安装过程中请勿扭曲电线。
- \* 安装隔板或者电视柜时，请勿站在低层隔板上安装上层隔板，使用梯子进行安装。
- \* 请勿站立在茶几，边几或者餐桌之类的桌子上，这些桌子不能够支撑人体重量。
- \* 组装说明中一旦提及某一安装需要两到多人完成，请不要尝试独自安装，这样可能会对您人身安全构成威胁。

**注意：**对于未能严格按照组装说明书组装，未能正确组装产品，或者未能正确使用产品而造成的损失或伤害，Ashley Furniture Industries, LLC 将不负法律责任。

家具的表面油漆涂层需要恰当保养，为避免灰尘，请定期清洁和抛光家具。

**注意：**您所购买的产品与该组装说明书中配图在外观上可能会有差异。

<p>A x 1</p> 	<p>B x 1</p> 	<p>C x 1</p> 	
<p>D x 1</p> 	<p>E x 1</p> 	<p>F x 1</p> 	
<p>G x 2</p> 	<p>H x 1</p> 	<p>J x 1</p> 	<p>K x 1</p> 
<p>L x 1</p> 	<p>M x 2</p> 	<p>N x 2</p> 	<p>P x 4</p> 
<p>R x 2</p> 	<p>S x 1</p> 	<p>T x 2</p> 	<p>U x 1</p> 
<p>W x 1</p> 	<p>Y x 29</p>  <p>D15mm x 12mm</p>	<p>Z x 29</p>  <p>D7.5mm x 35mm</p>	<p>AA x 34</p>  <p>ø8mm x 30mm</p>

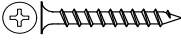





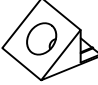




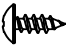


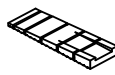



Replacement Parts



RTAParts@ashleyfurniture.com  
www.ashleyfurniture.parts

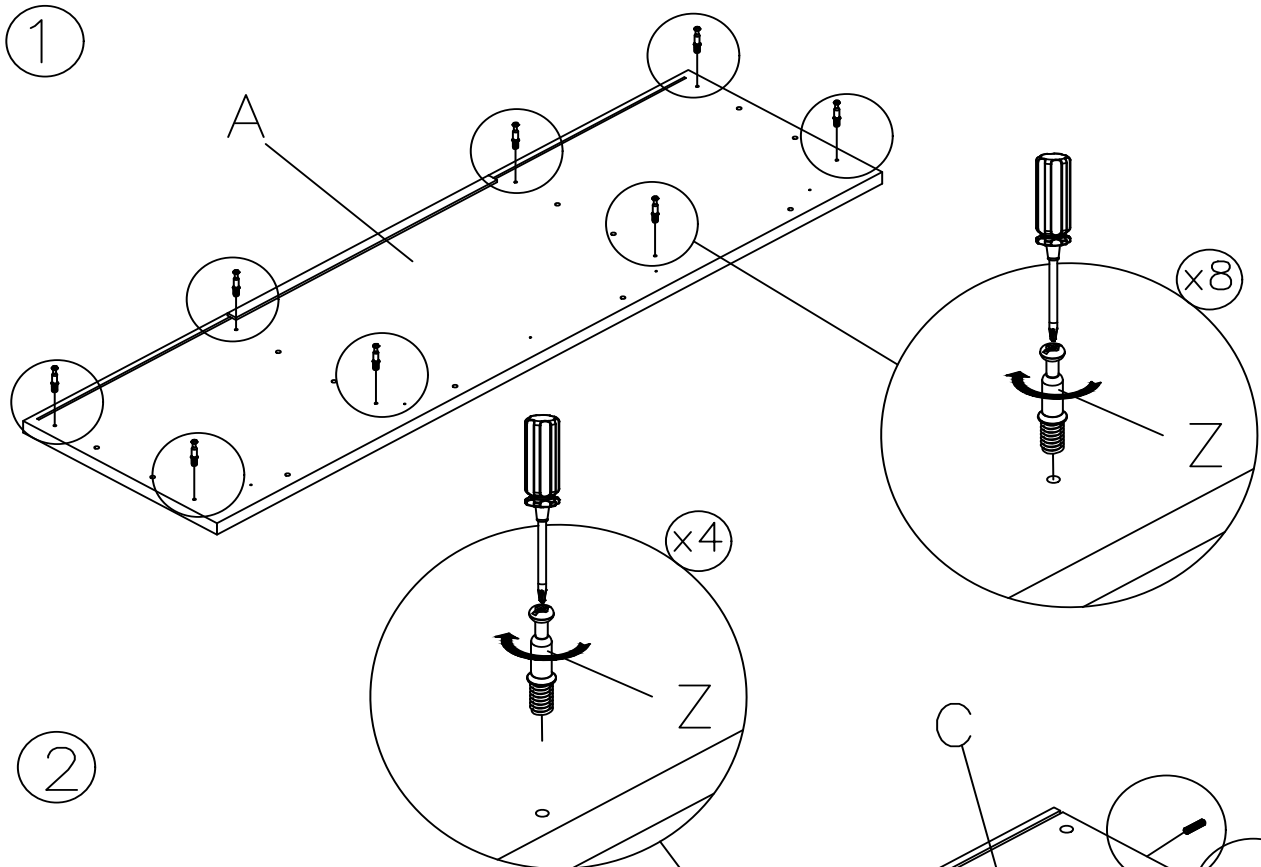


1-844-966-0809

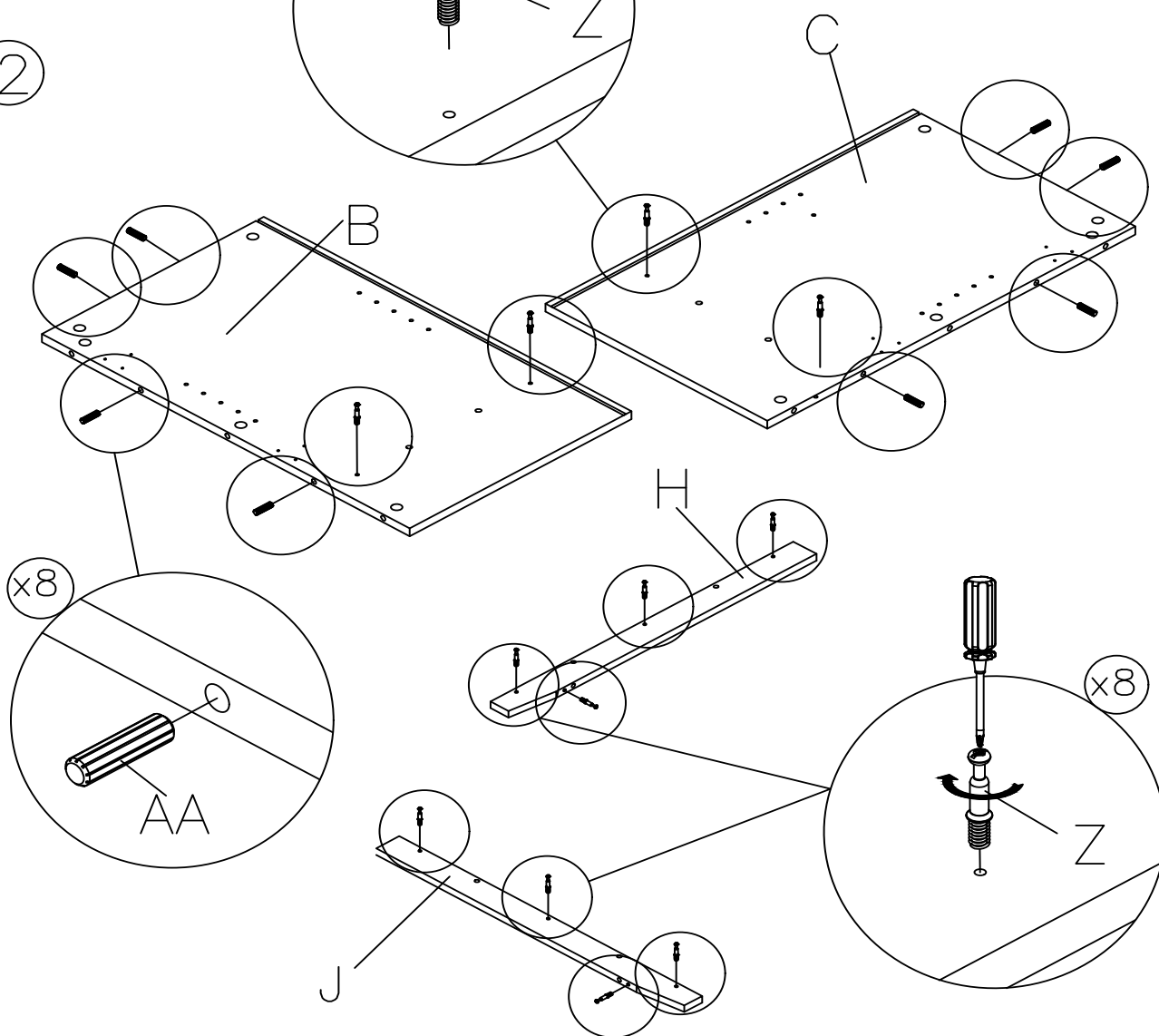
<p>AB x 16</p>  <p>#10x1-1/2"</p>	<p>AC x 12</p> 	<p>AD x 4</p> 	<p>AE x 36</p>  <p>#6 x 5/8"</p>
<p>AF x 2</p> 	<p>AG x 2</p>  <p>5/32" x 19mm</p>	<p>AH x 12</p> 	<p>AJ x 16</p> 
<p>AK x 5</p> 	<p>AL x 2</p> 	<p>AM x 2</p>  <p>#6.5 x 1/2"</p>	<p>AN x 10</p>  <p>#10 x 1/2"</p>
<p>AP x 18</p> 	<p>AR x 2</p>  <p>M6mm x 38mm</p>	<p>AS x 2</p> 	<p>AT x 1</p> 
<p>AU x 8</p>  <p>D8 x 12mm</p>	<p>Not Included No Se Adjunta Non Inclus 不包含</p> 		

- ⚠ NOTE: UNIT SHOULD BE ASSEMBLED BY TWO OR MORE PEOPLE. DO NOT TIGHTEN ANY BOLTS UNTIL ALL BOLTS HAVE BEEN STARTED!
- ⚠ NOTA: IESTA UNIDAD DEBE SER ARMADA POR 2 O MAS PERSONAS! NO APRIETE NINGUN PERNO HASTA QUE TODOS ESTEN EN SU LUGAR!
- ⚠ REMARQUE: LE MEUBLE DOIT ETRE ASSEMBLÉ PAR DEUX PERSONNES OU PLUS. NE BLOQUER AUCUNE VIS TANT QUE VOUS N'AVEZ PAS COMMENCE A TOUTES LES DEMARRER!
- ⚠ 注意：产品应由两个或者两个以上的人员组装。在产品组装过程中，不要锁紧螺栓！

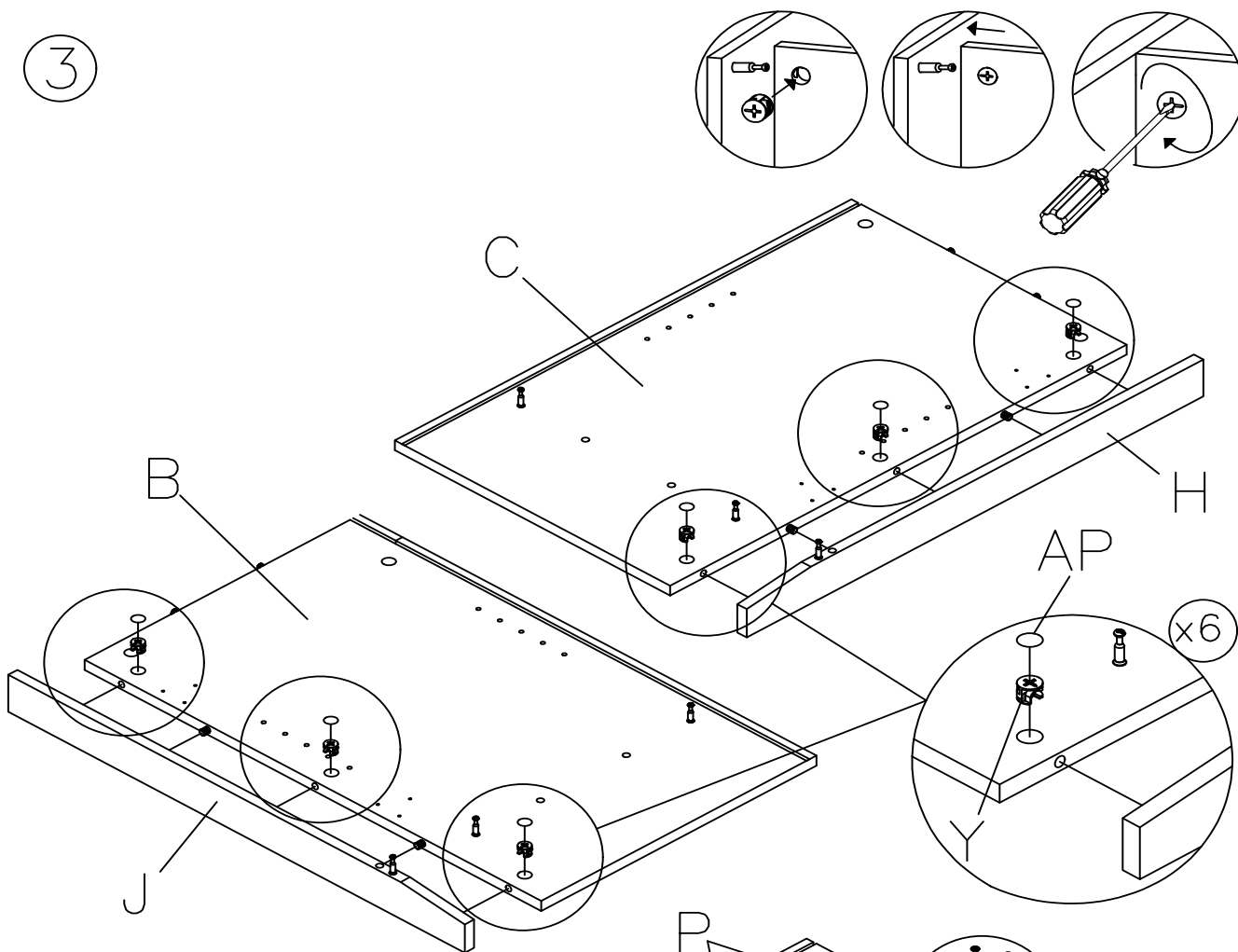
1



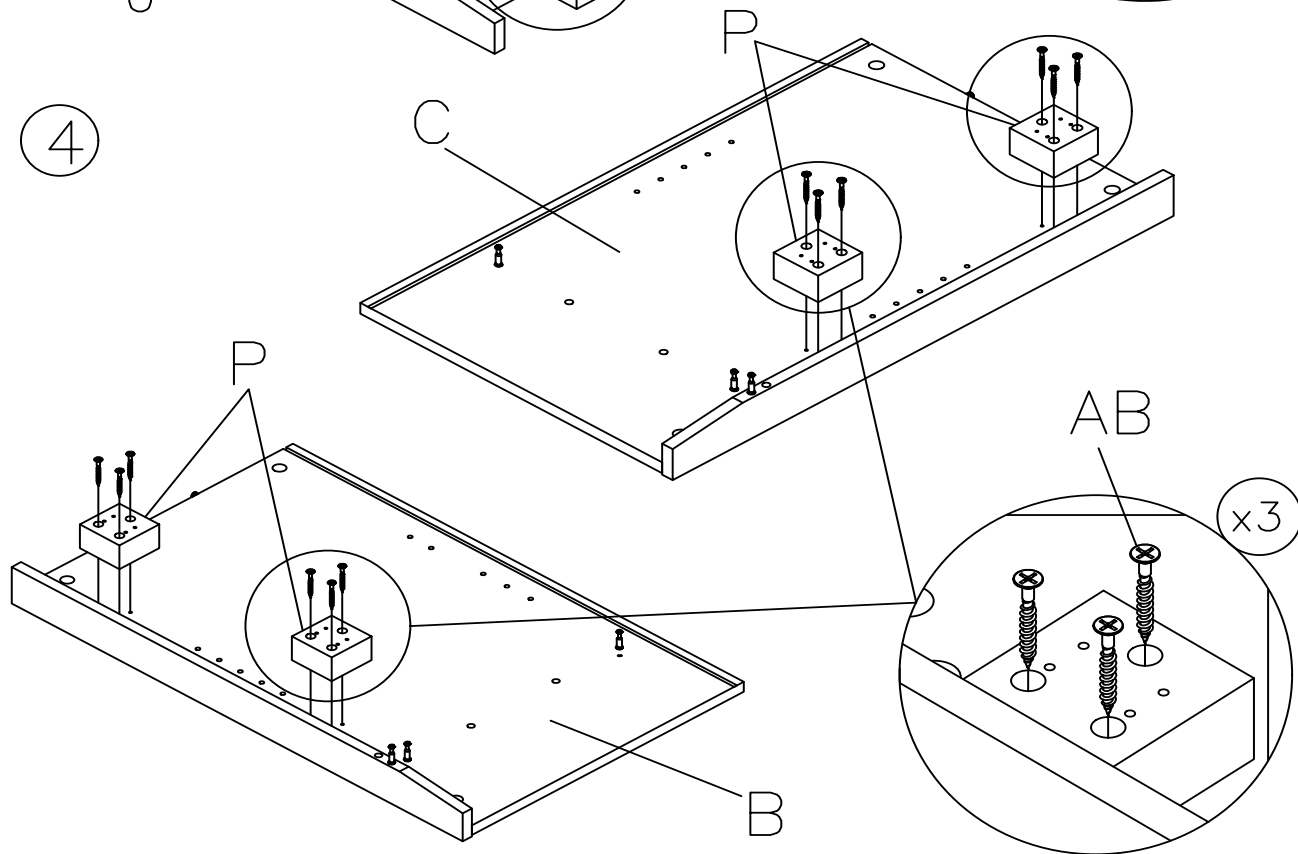
2

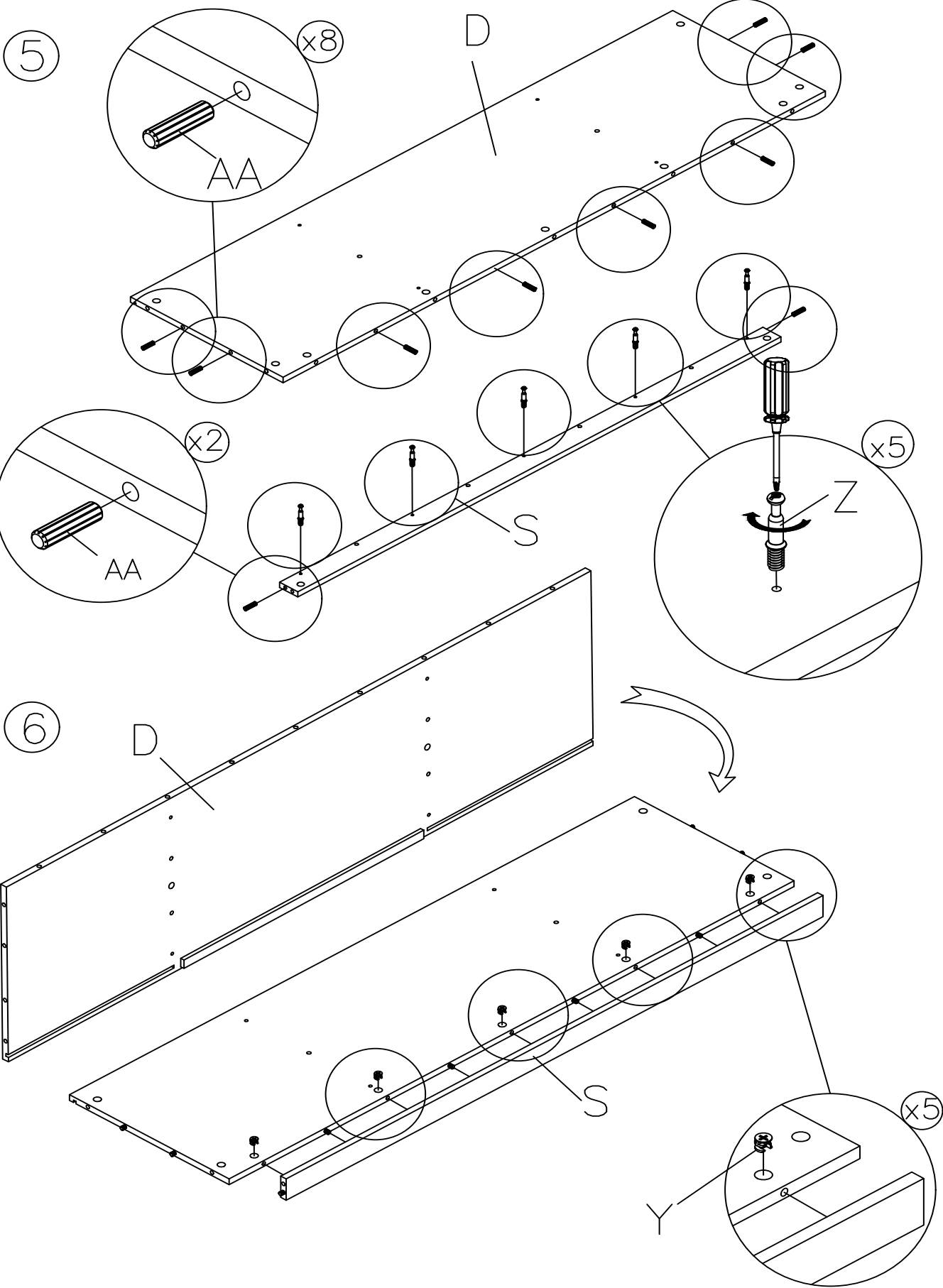


3

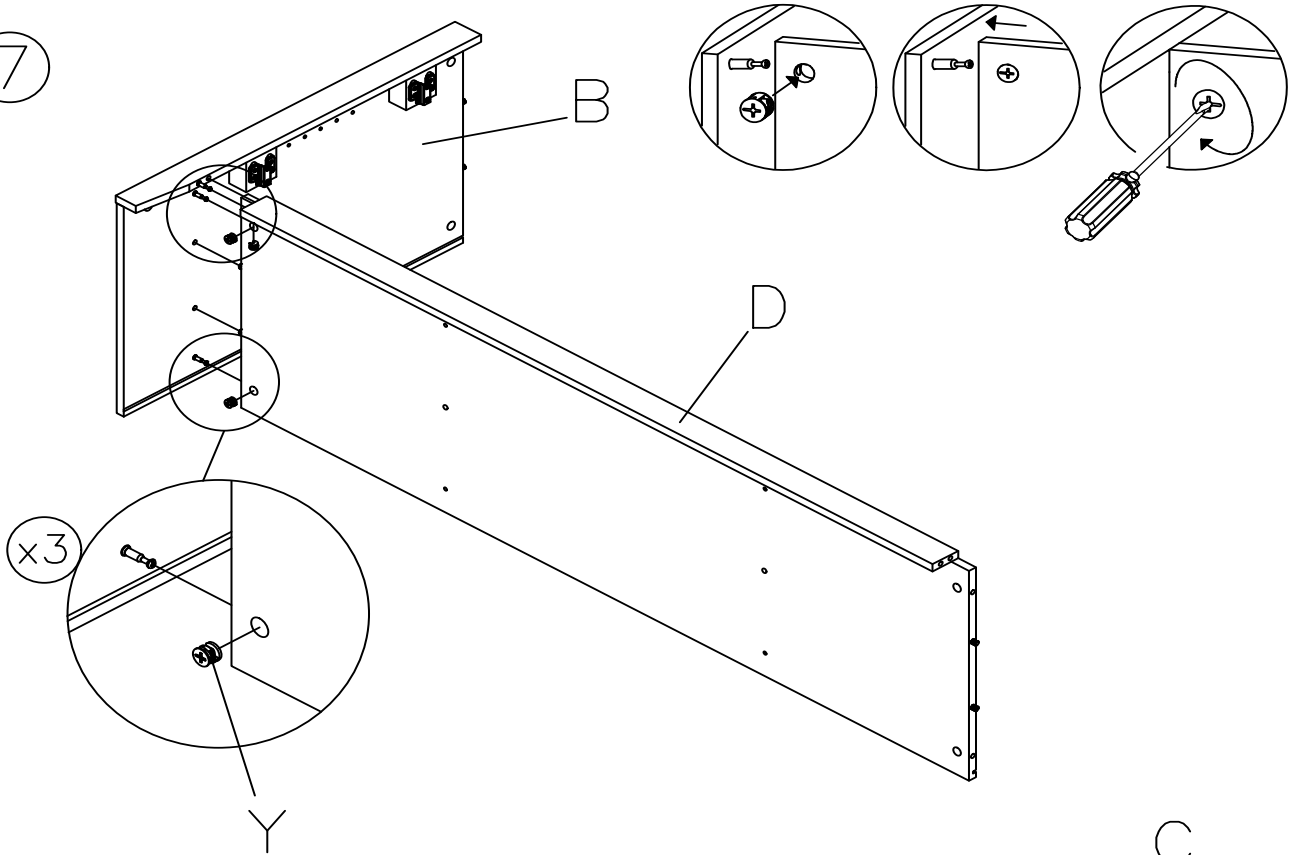


4

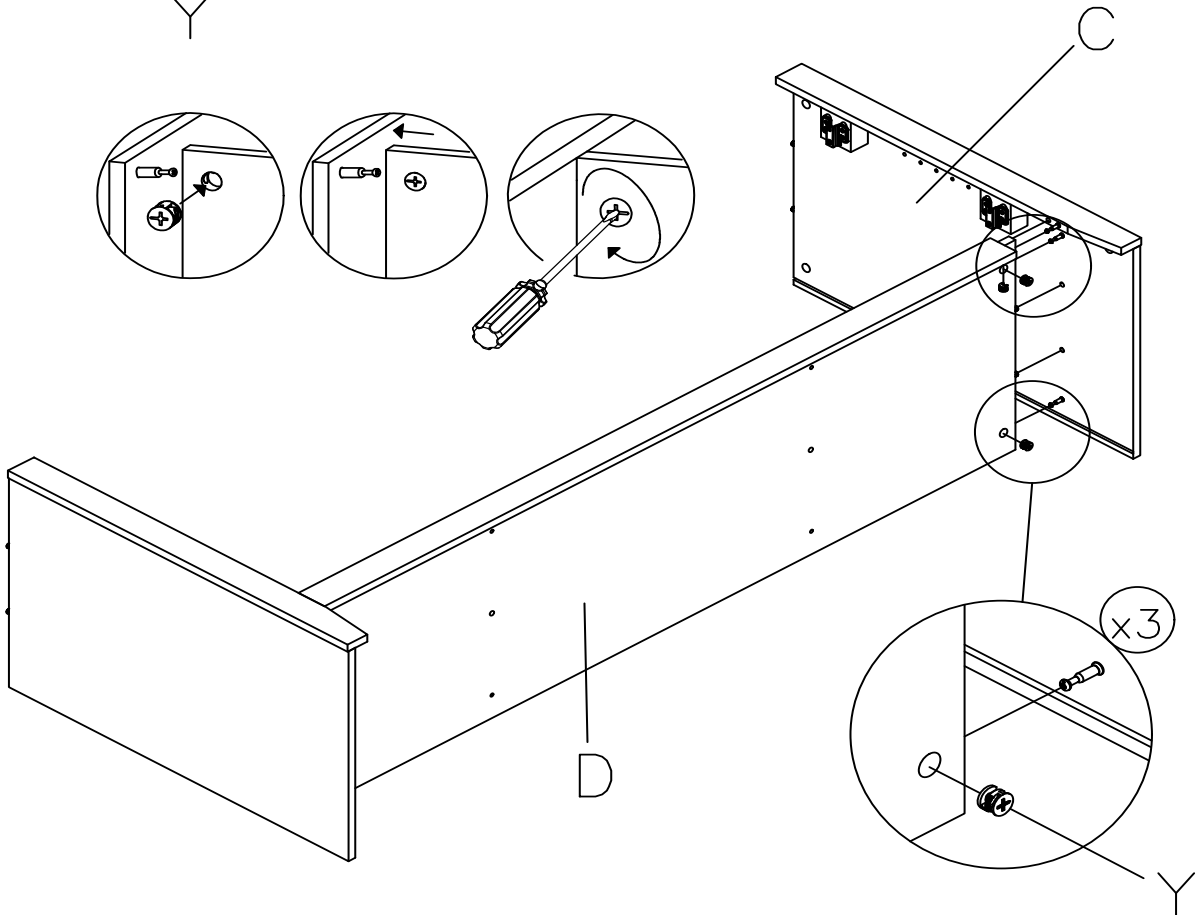




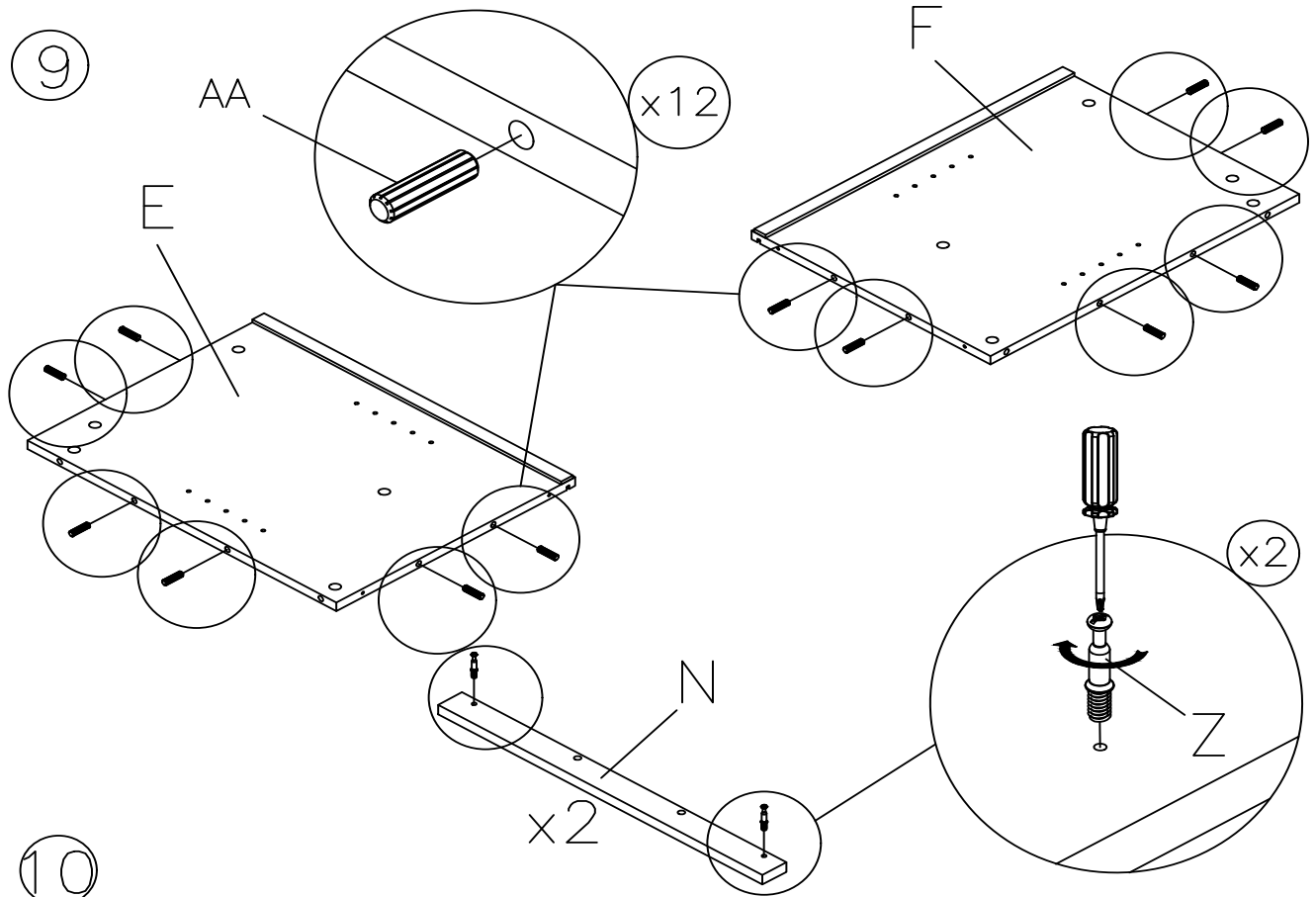
7



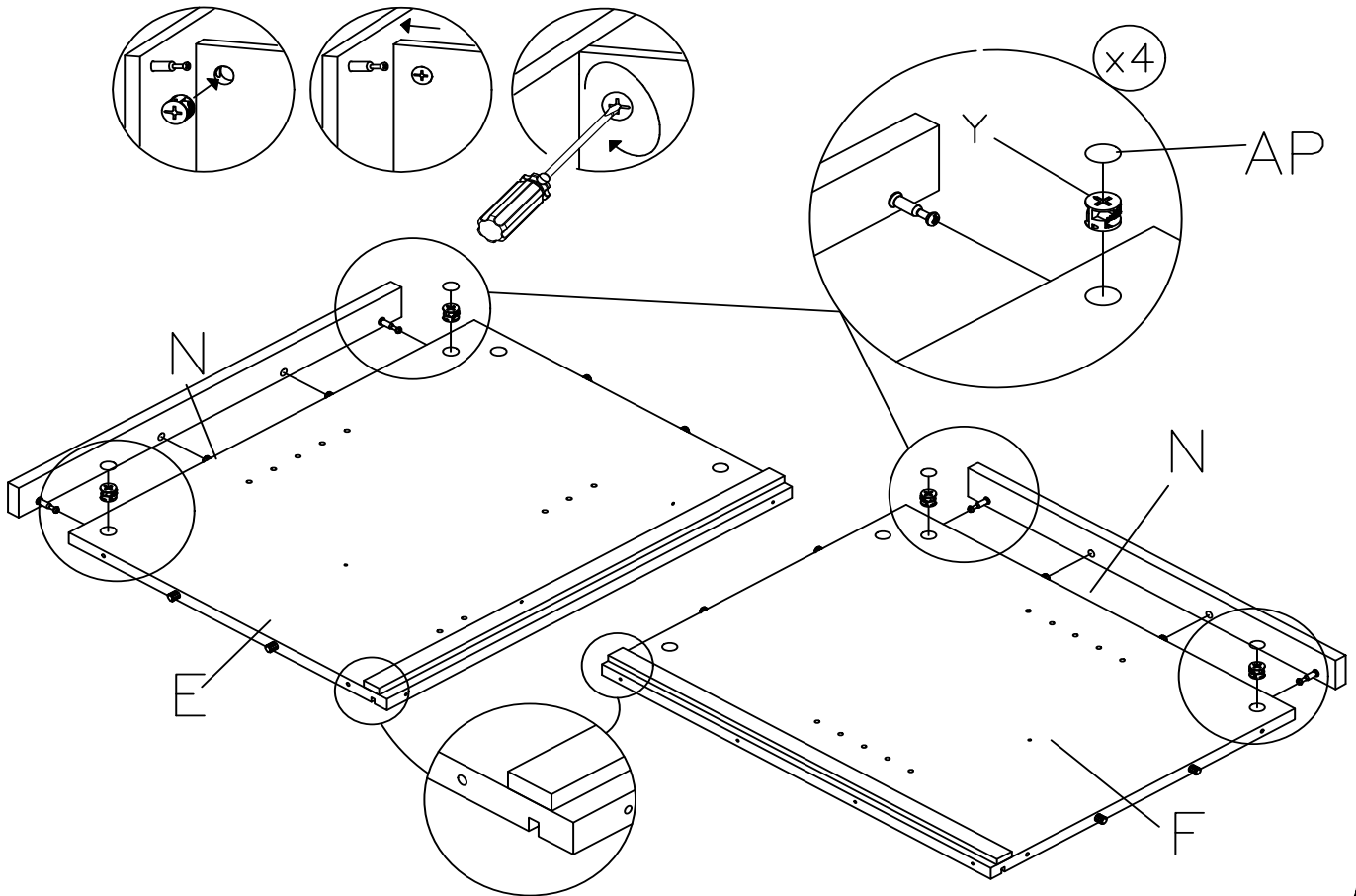
8



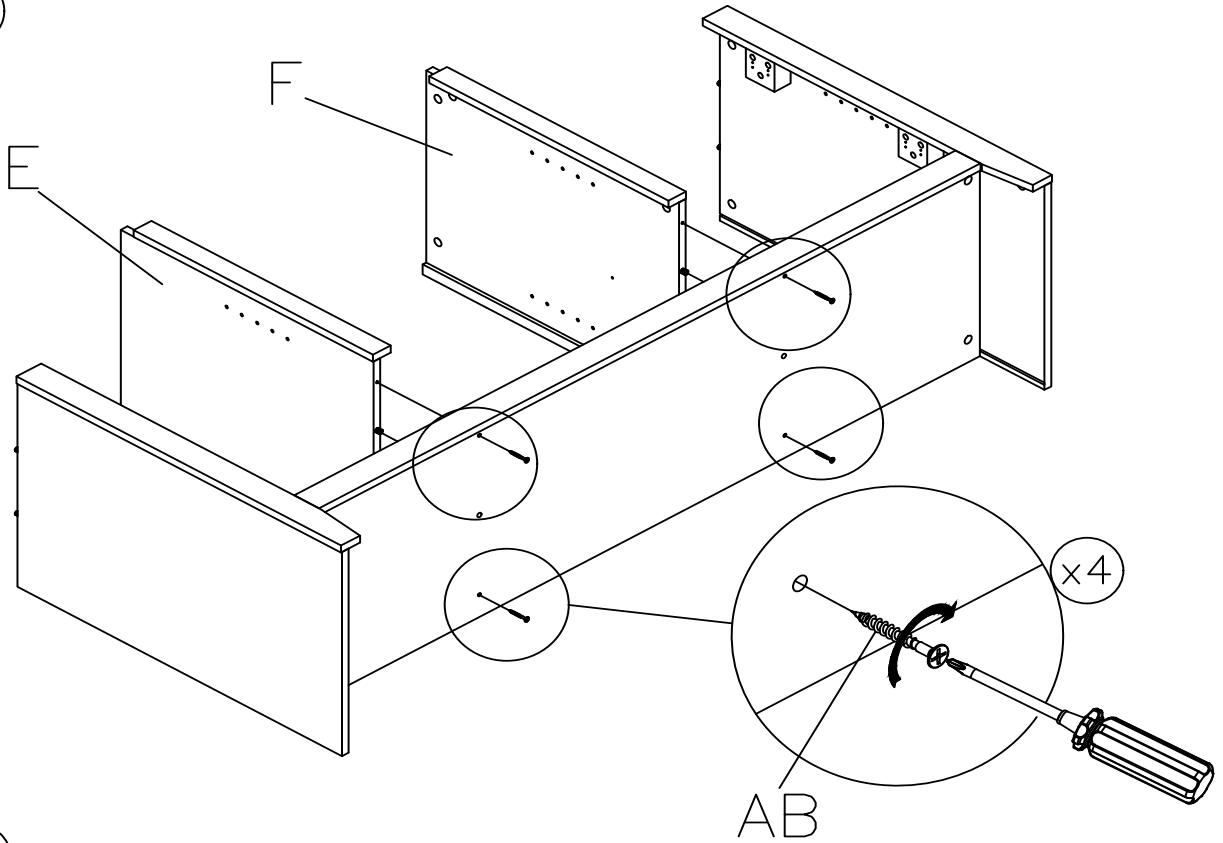
9



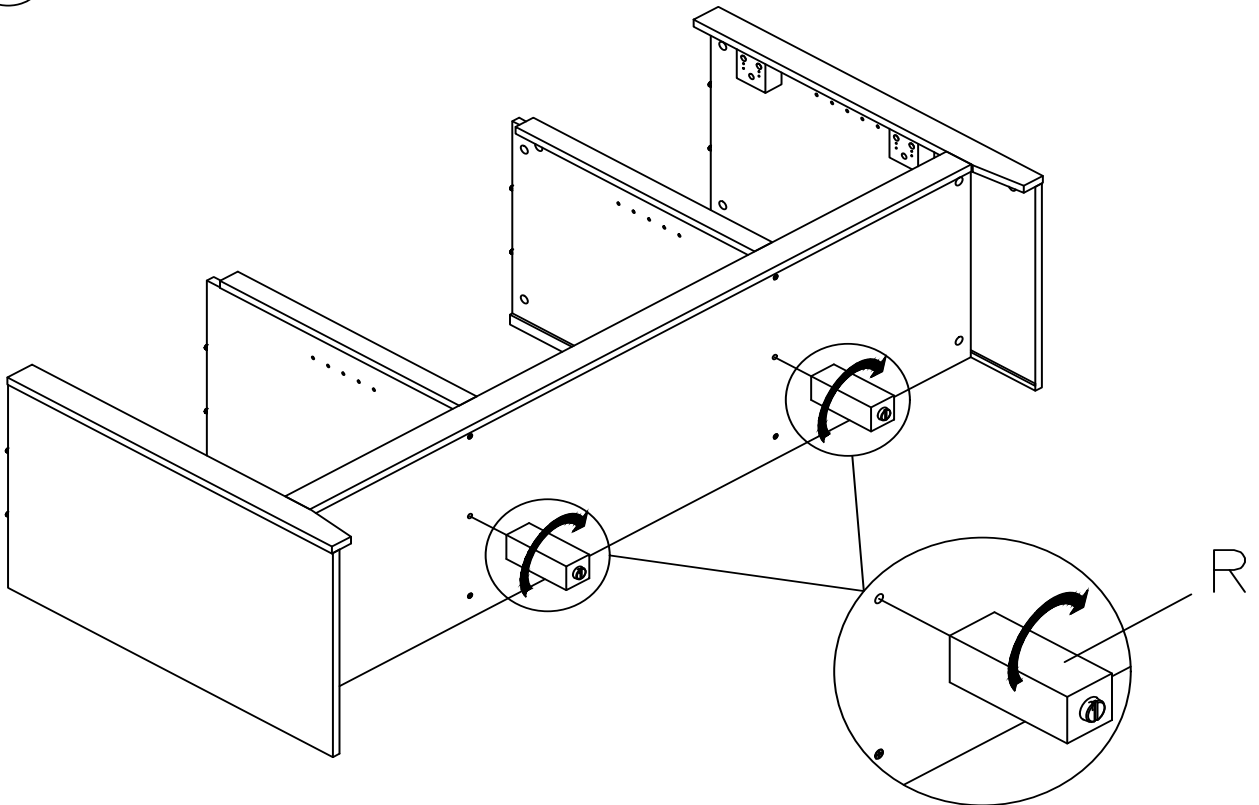
10



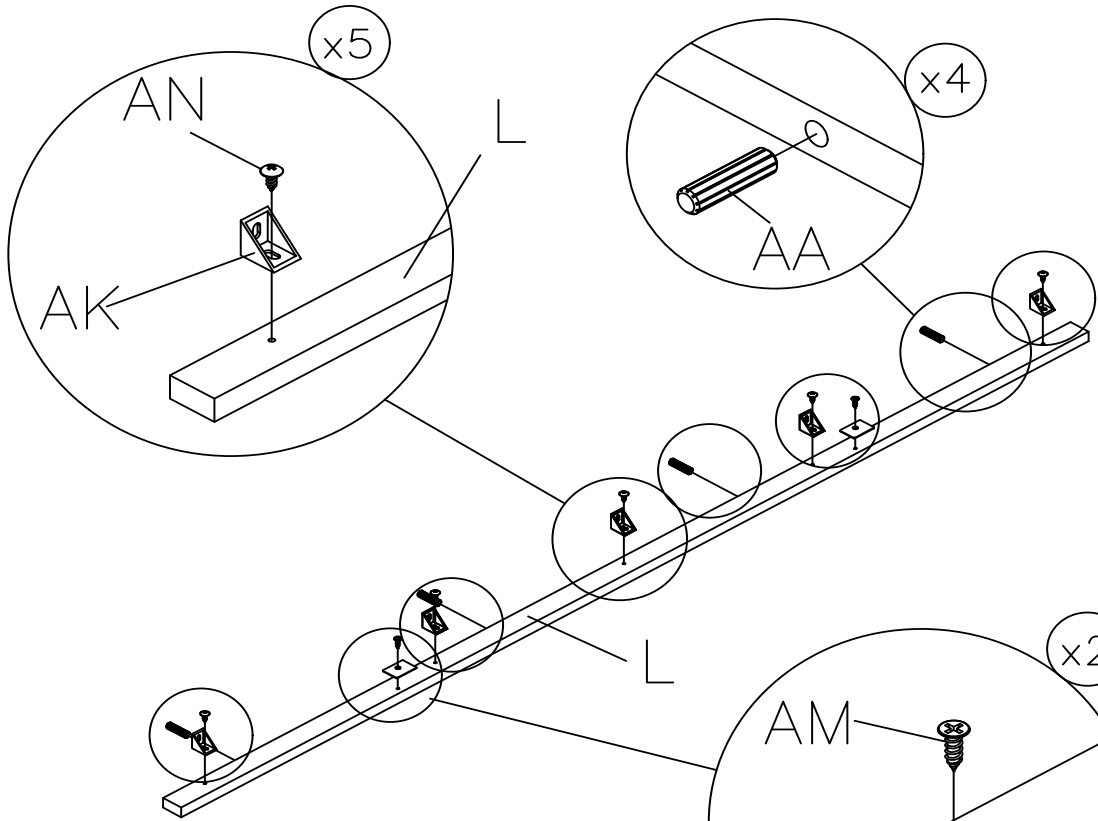
11



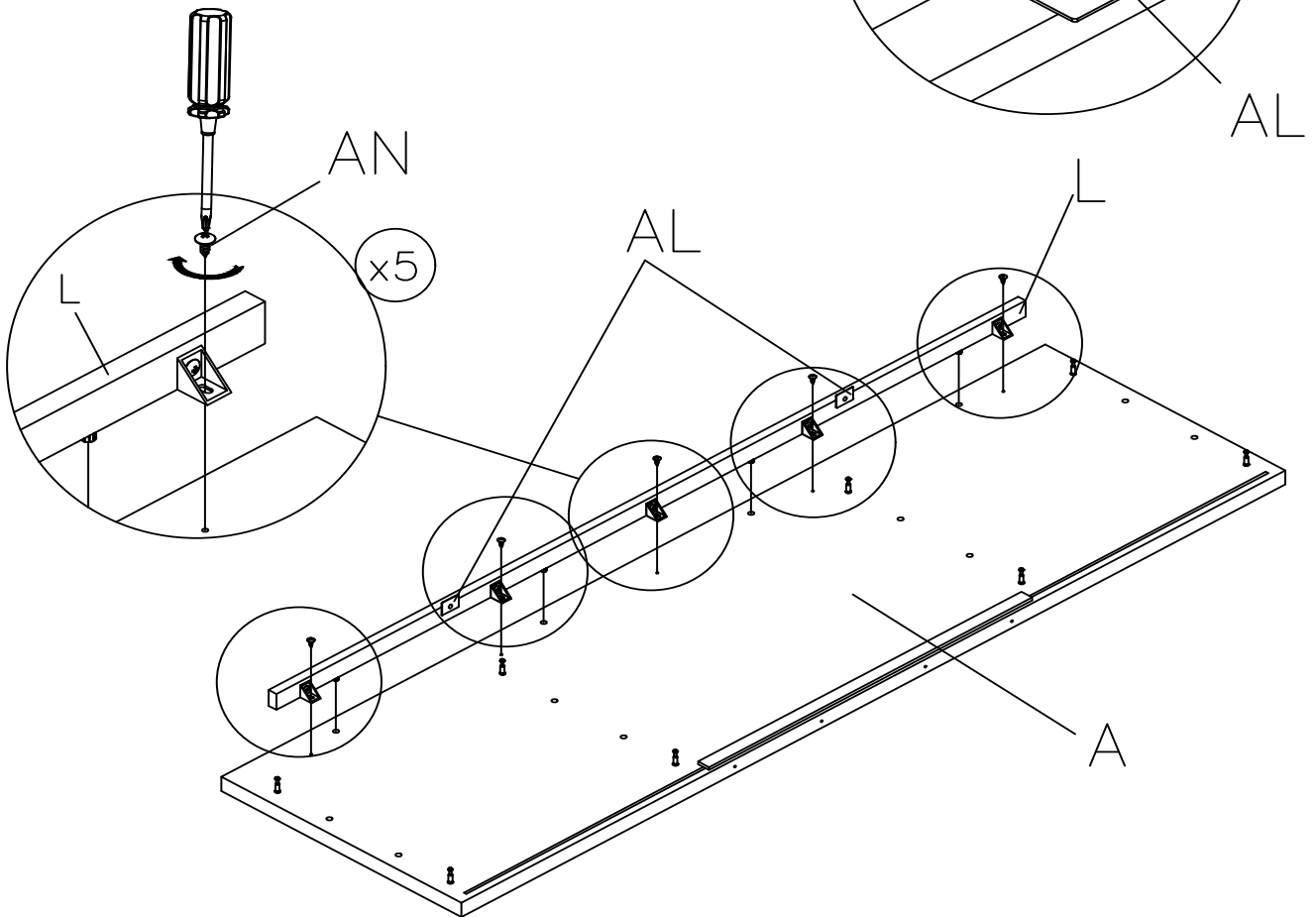
12



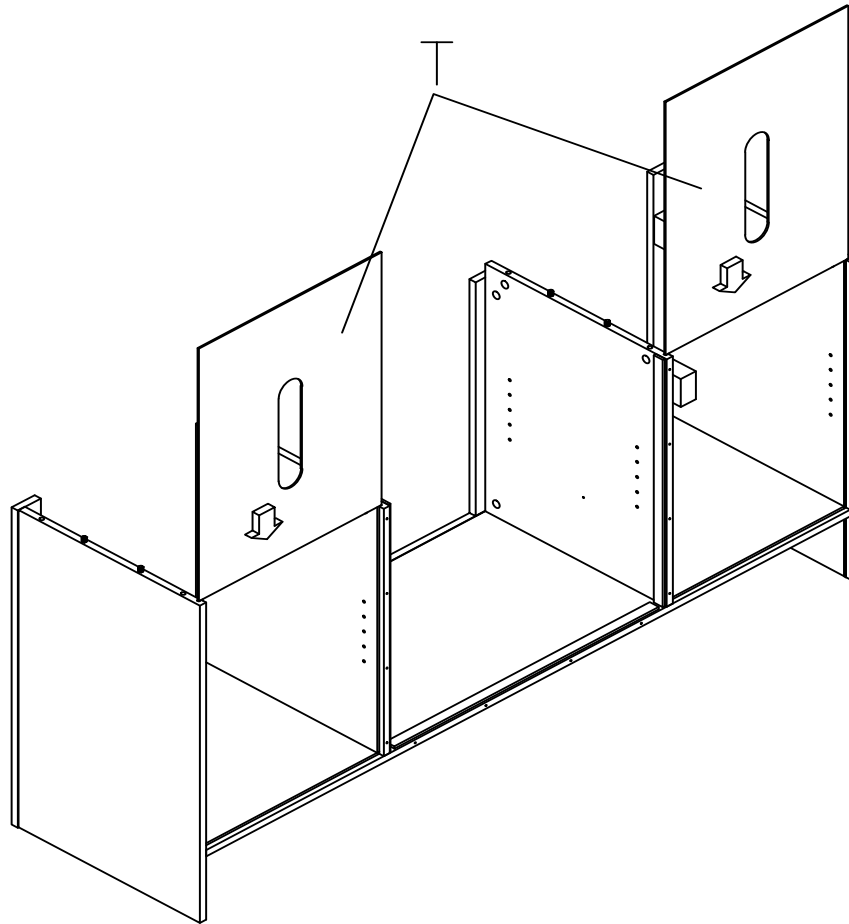
13



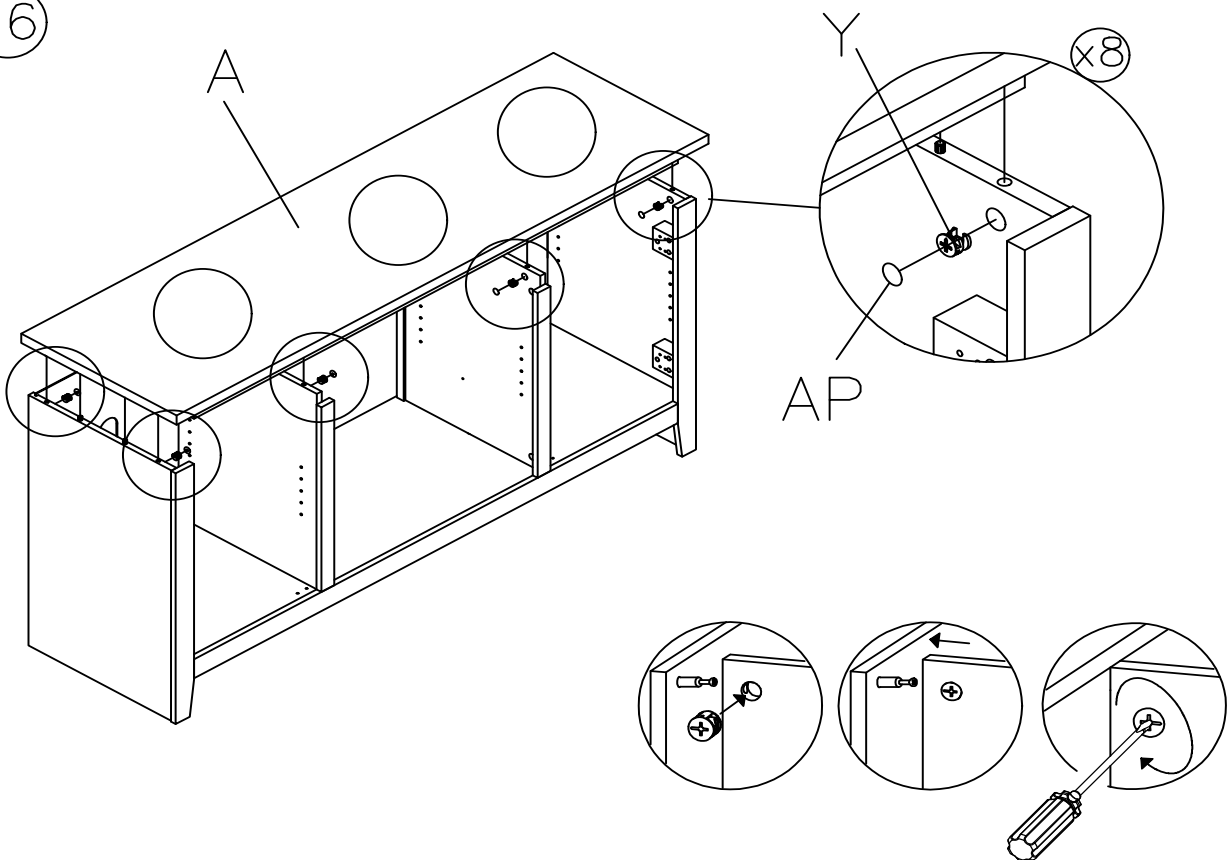
14



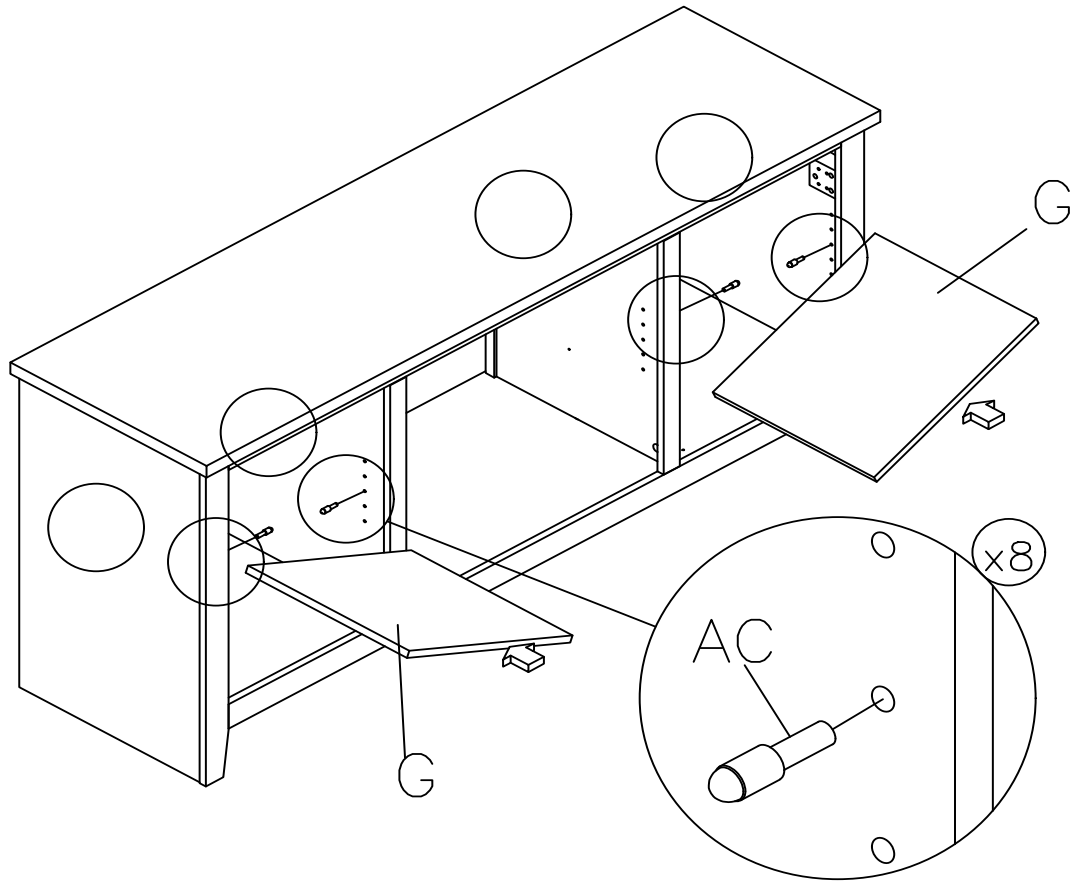
15



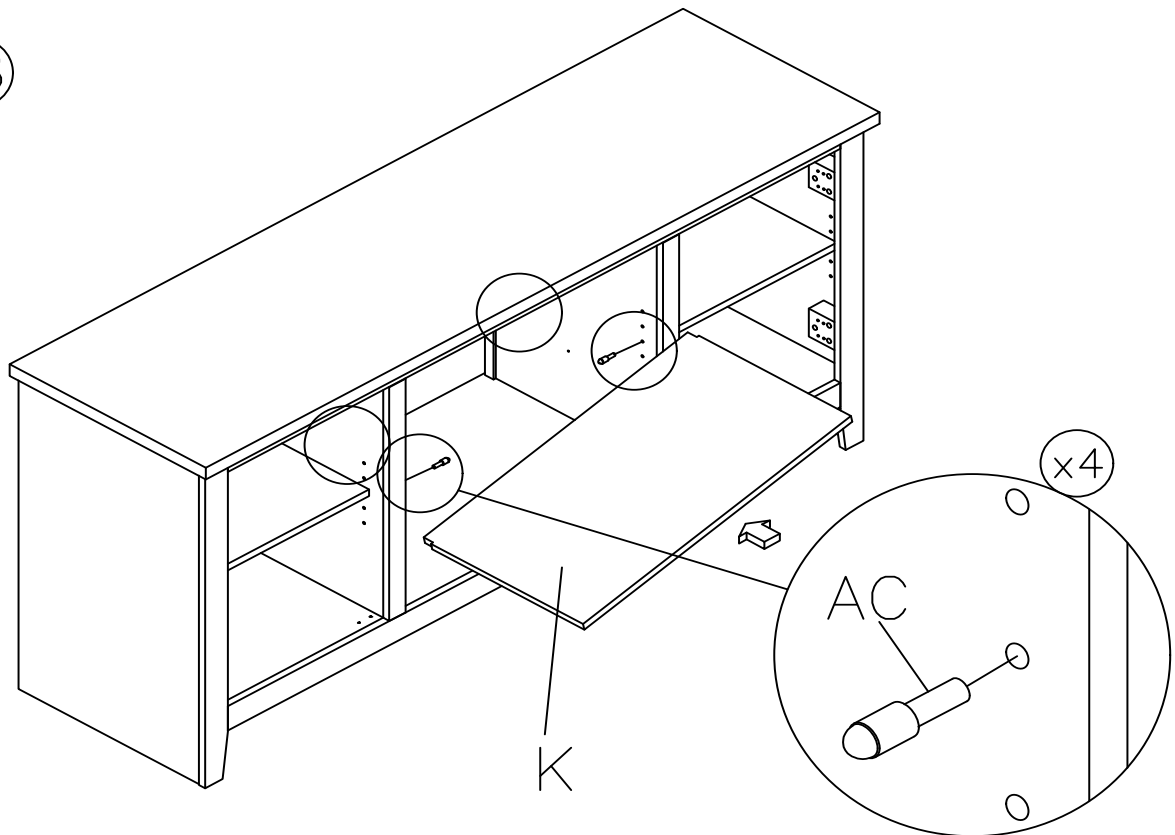
16



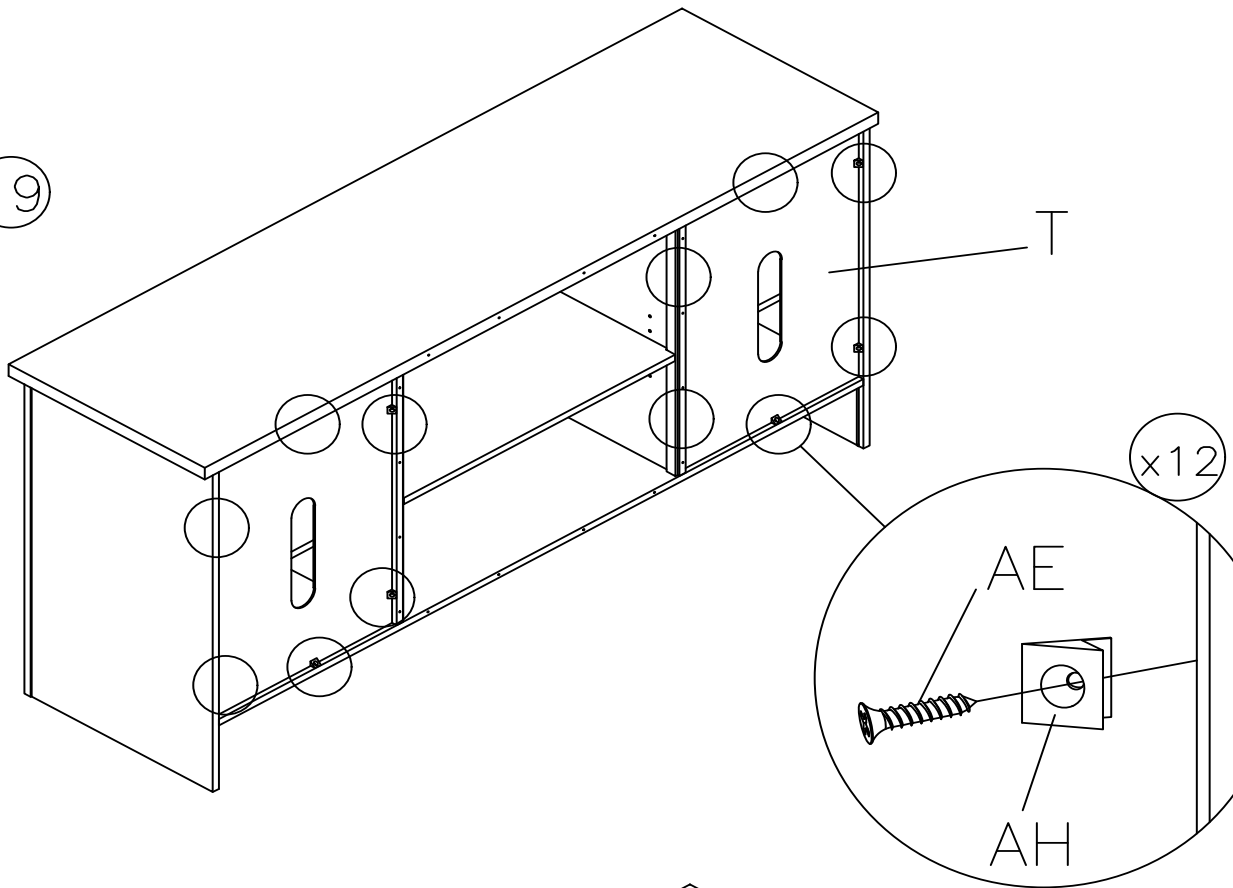
17



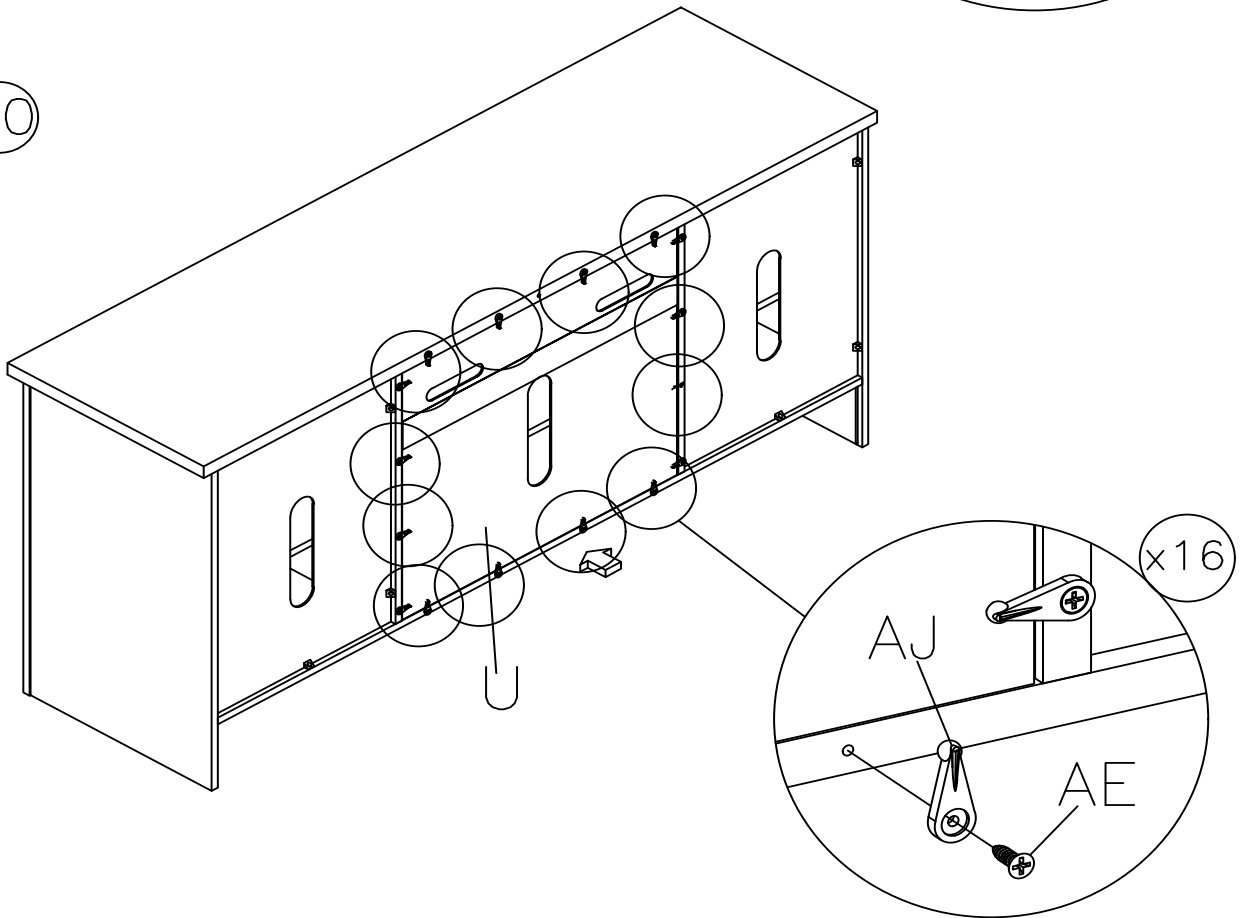
18



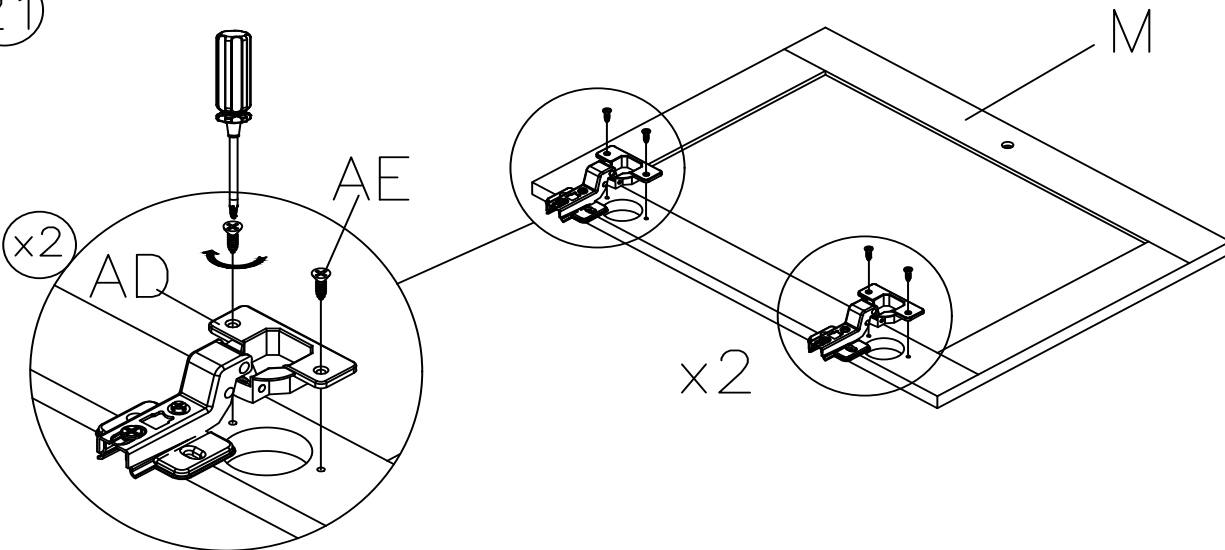
19



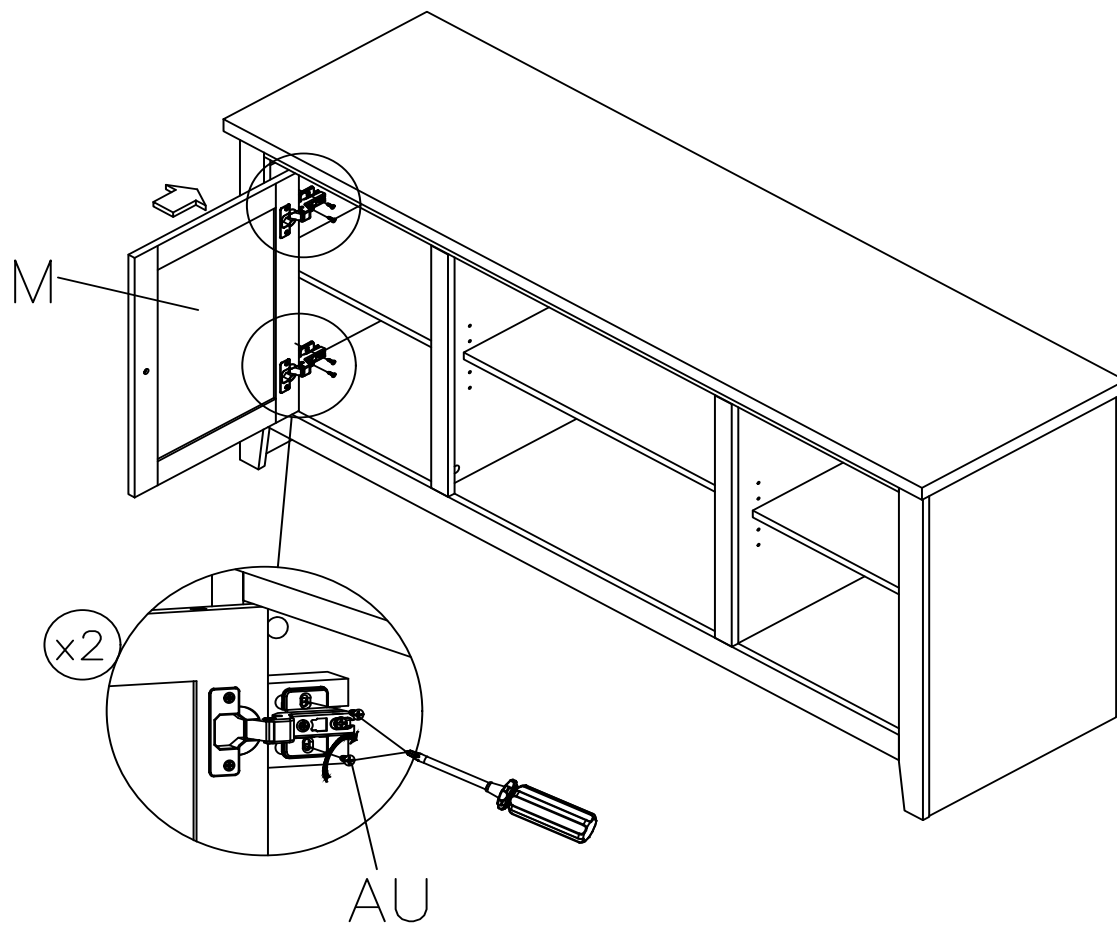
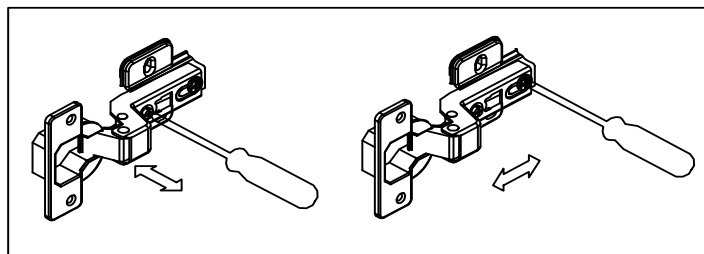
20



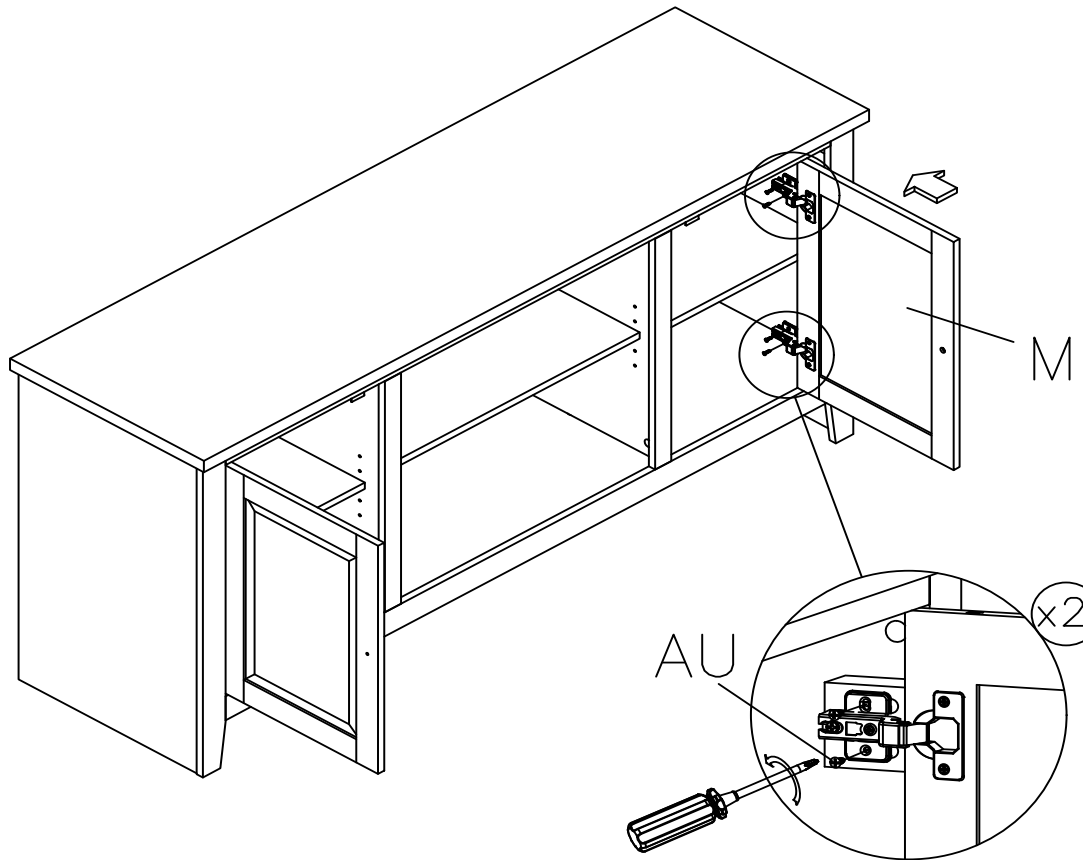
21



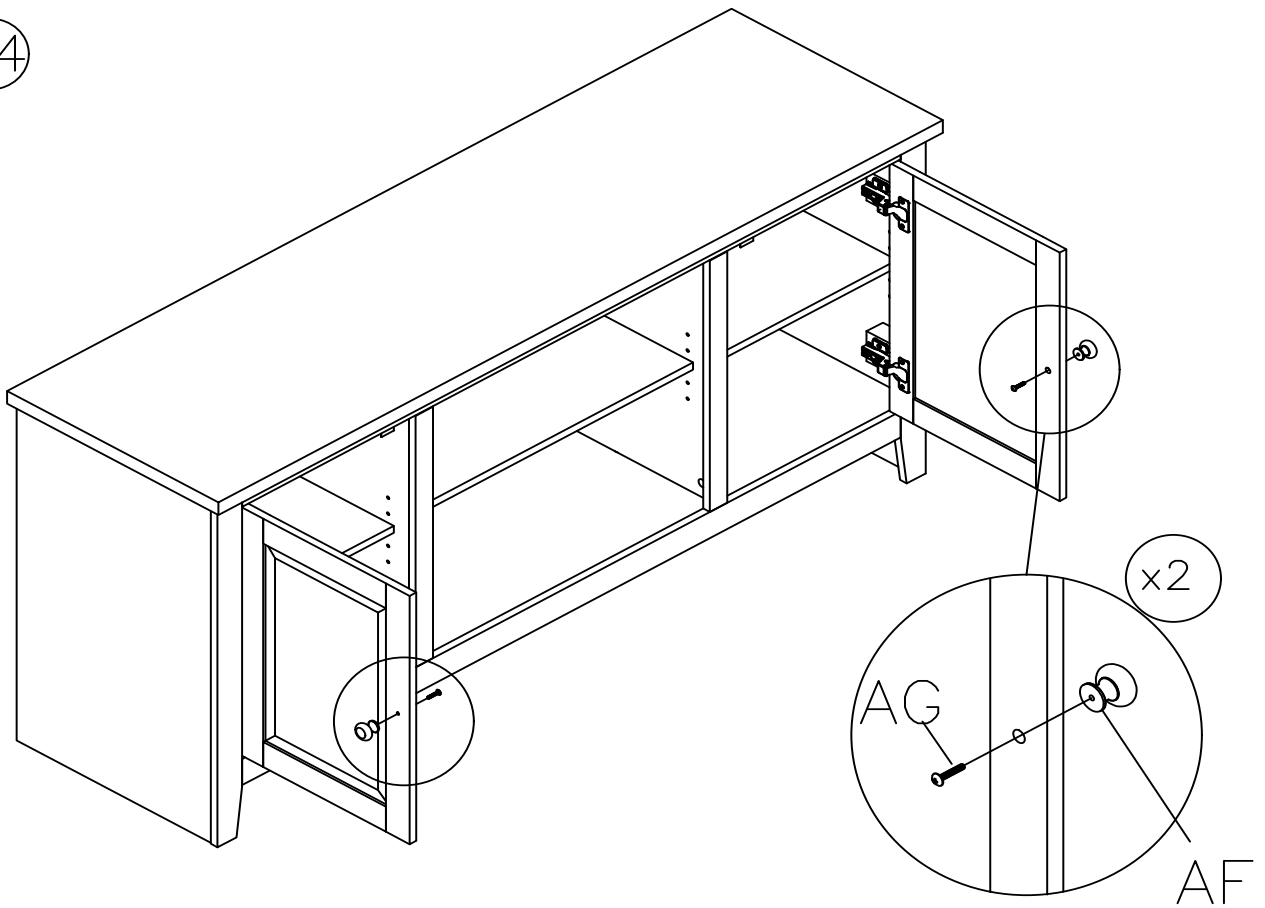
22



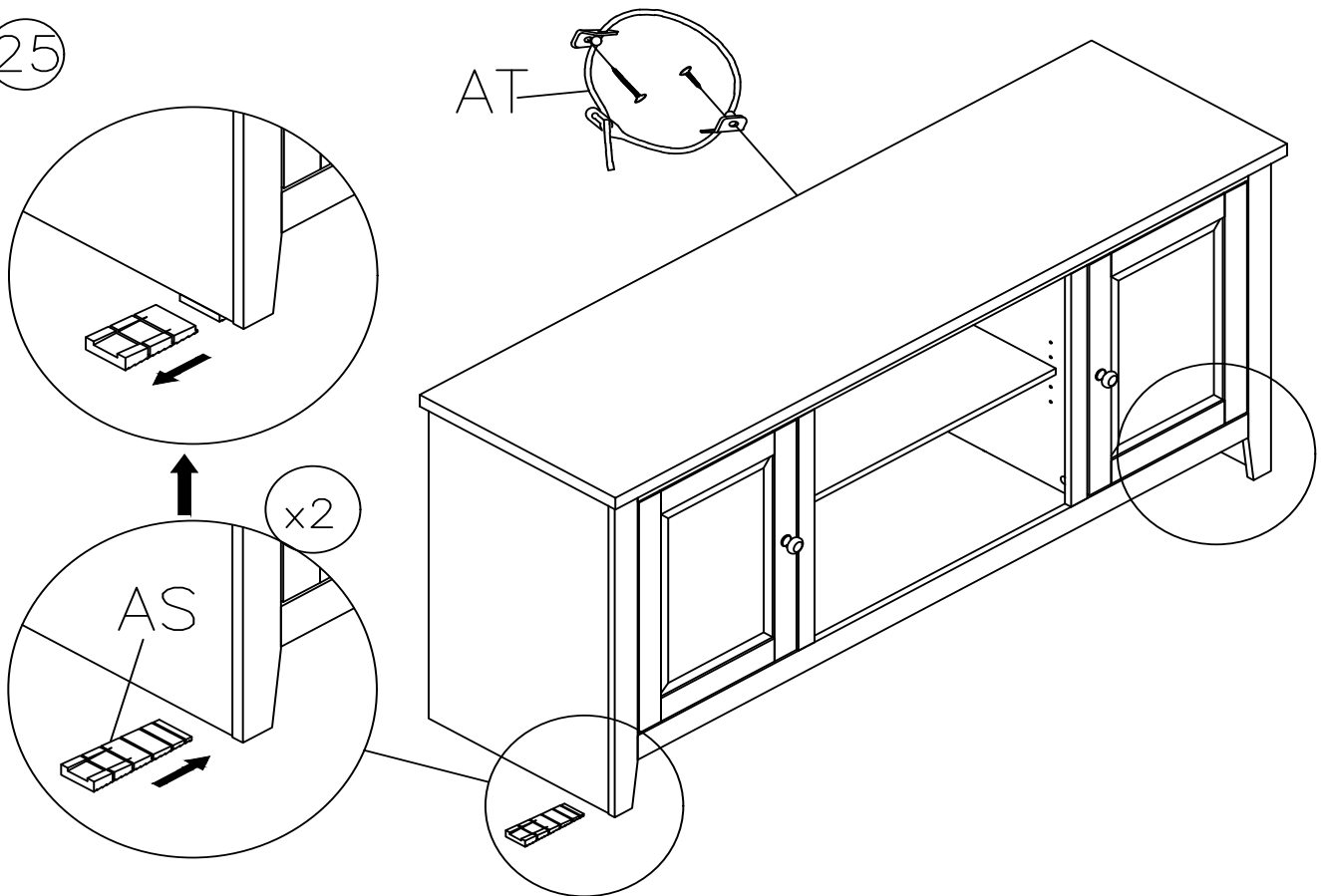
23



24



(25)



NOTE: IF THE UNIT IS PLACED ON AN UNLEVEL SURFACE, PLACE A LEVELER UNDERNEATH ONE FOOT UNTIL THE UNIT IS LEVEL. BREAK OFF ANY PROTRUDING SEGMENTS.

NOTA: EN CASO DE QUE EL DISPOSITIVO ESTÉ COLOCADO SOBRE UNA SUPERFICIE DESNIVELADA, PONGA UN NIVELADOR POR DEBAJO DE UNA PATA DE DISPOSITIVO HASTA QUE EL CUAL ESTÉ NIVELADO. ROMPA CUALQUIERA DE LOS SEGMENTOS QUE SOBRESALEN.

REMARQUE: SI L'UNITE EST PLACEE SUR UNE SURFACE DE NON-NIVEAU, PLACEZ UN NIVELEUR SUR UNE PIE JUSQUE' A CETTE UNITE EST PLACEE, ROMPREZ TOUT SEGMENTS SAILLANTS.

提醒：如果产品无法放水平，请在某一条腿下放置楔形脚垫。待家具放置水平之后，敲掉多余的部分

**! WARNING !**

The use of the included tipping restraint may reduce, but not eliminate, the risk of furniture tip over. Follow the instructions on the plastic bag for proper installation.

**¡ADVERTENCIA!**

El uso del dispositivo diseñado para evitar que el mueble se dé vuelta reduce pero no elimina el riesgo de que eso pueda suceder. Siga las instrucciones que hay en la bolsa plástica para la instalación adecuada.

**! AVERTISSEMENT !**

L'utilisation du système anti-bascule peut réduire, mais n'élimine pas, les risques de renversement du meuble. Suivez les instructions se trouvant sur le sac en plastique pour l'installer correctement.

**! 敬告 !**

使用防倾倒装置只能降低但不能完全避免倾倒风险,安装此装置时请按照包装袋上的说明。

Optional / Opcional / Optionnel / 可选的

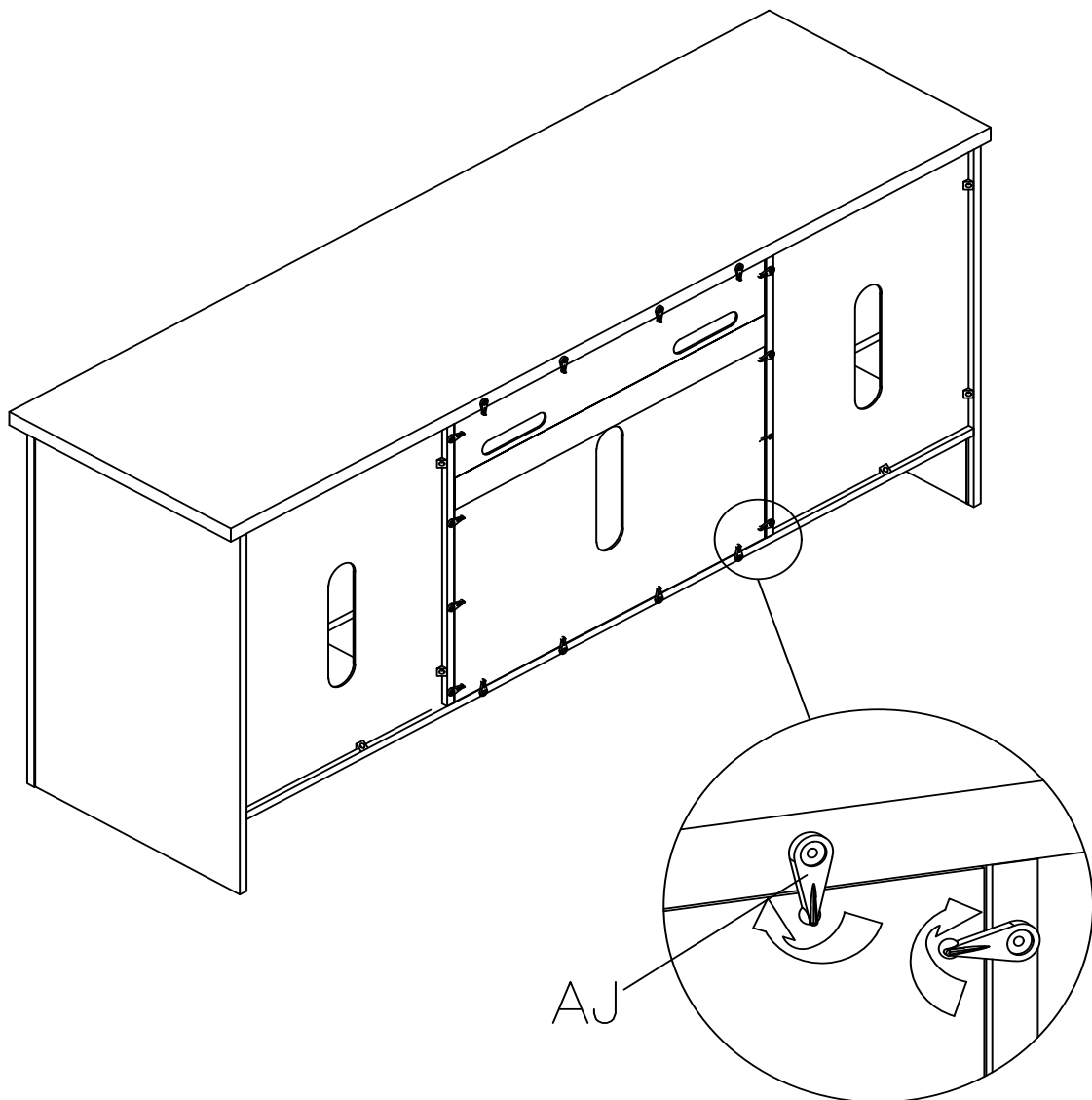
NOTE: When using the fireplace insert, please DO NOT use the optional back panel.

NOTA: Cuando está utilizando el inserto de chimenea, por favor no utilice el panel posterior opcional.

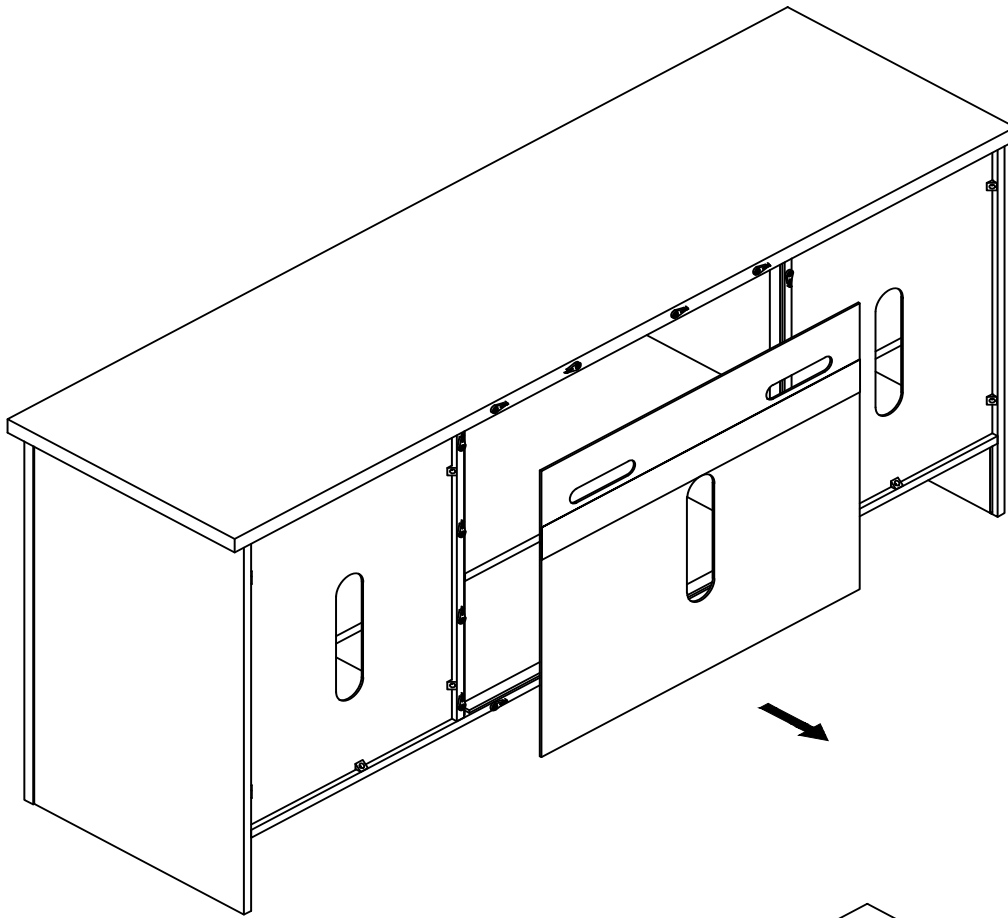
REMARQUE: Lors de l'utilisation de la cheminée insert, N'UTILISEZ PAS le panneau arrière option.

注意：当使用火炉的时候，请不要安装背板。

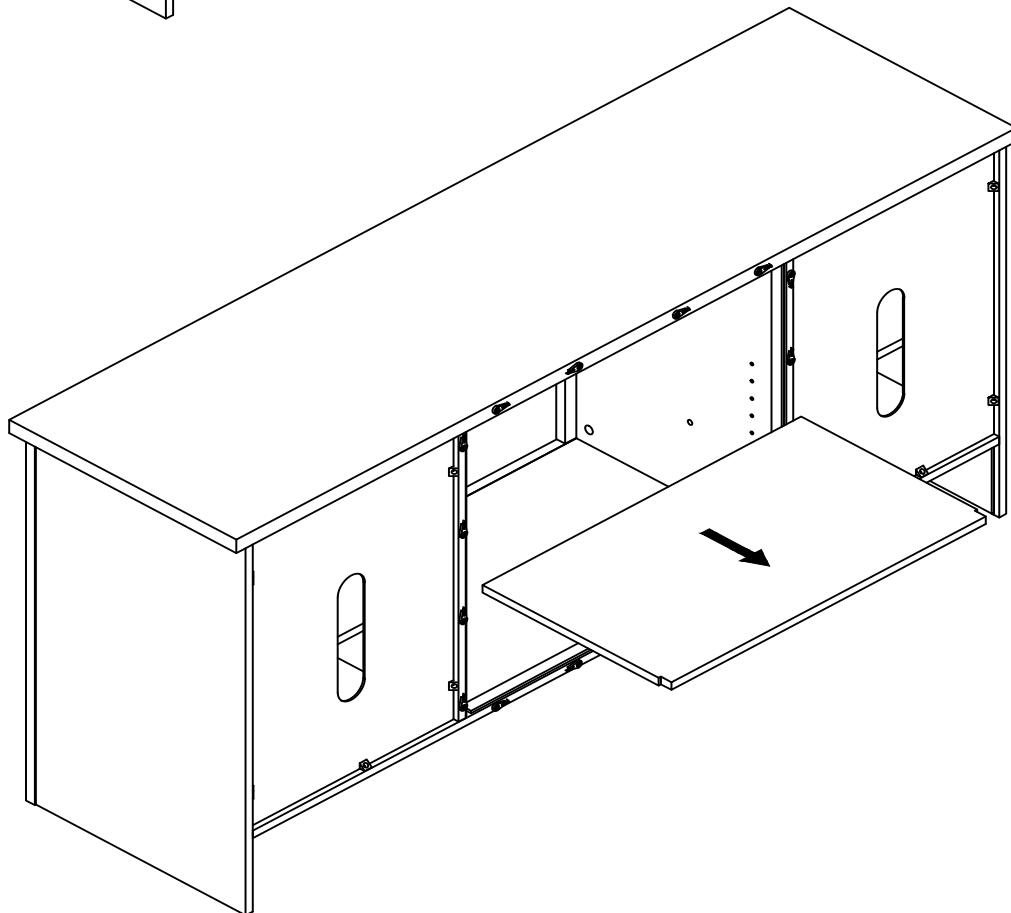
26



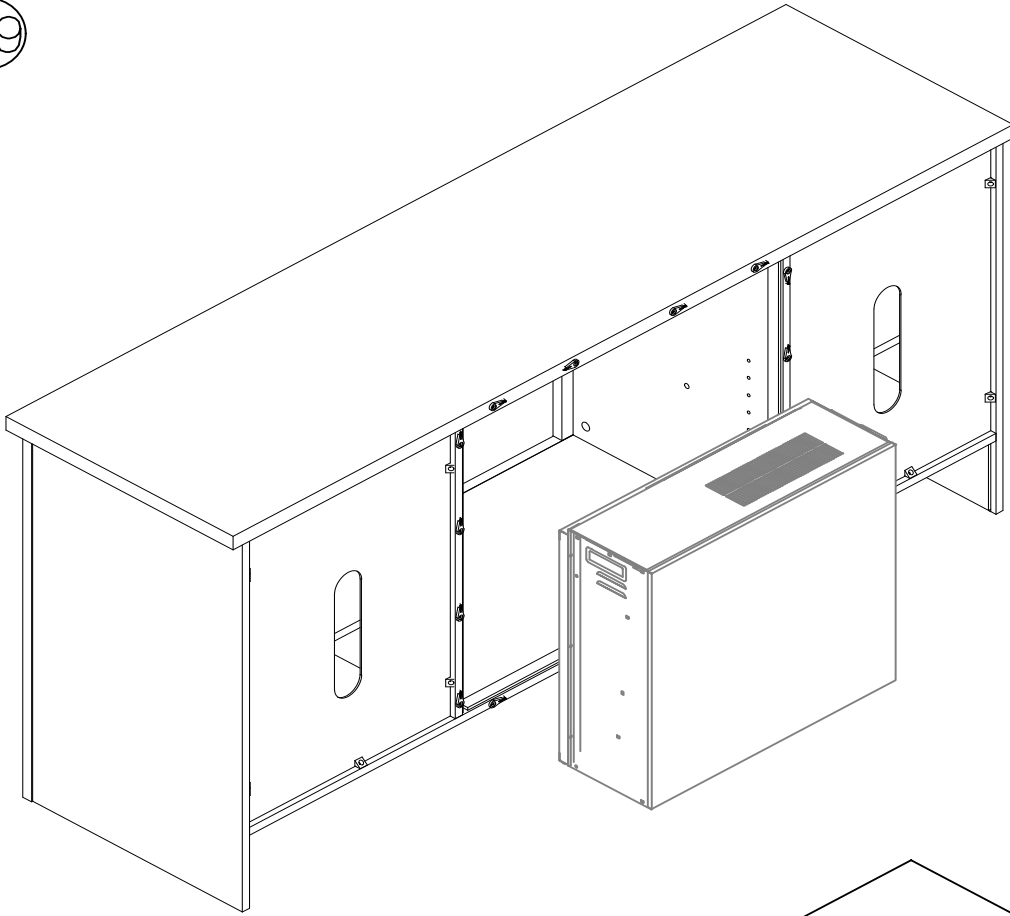
27



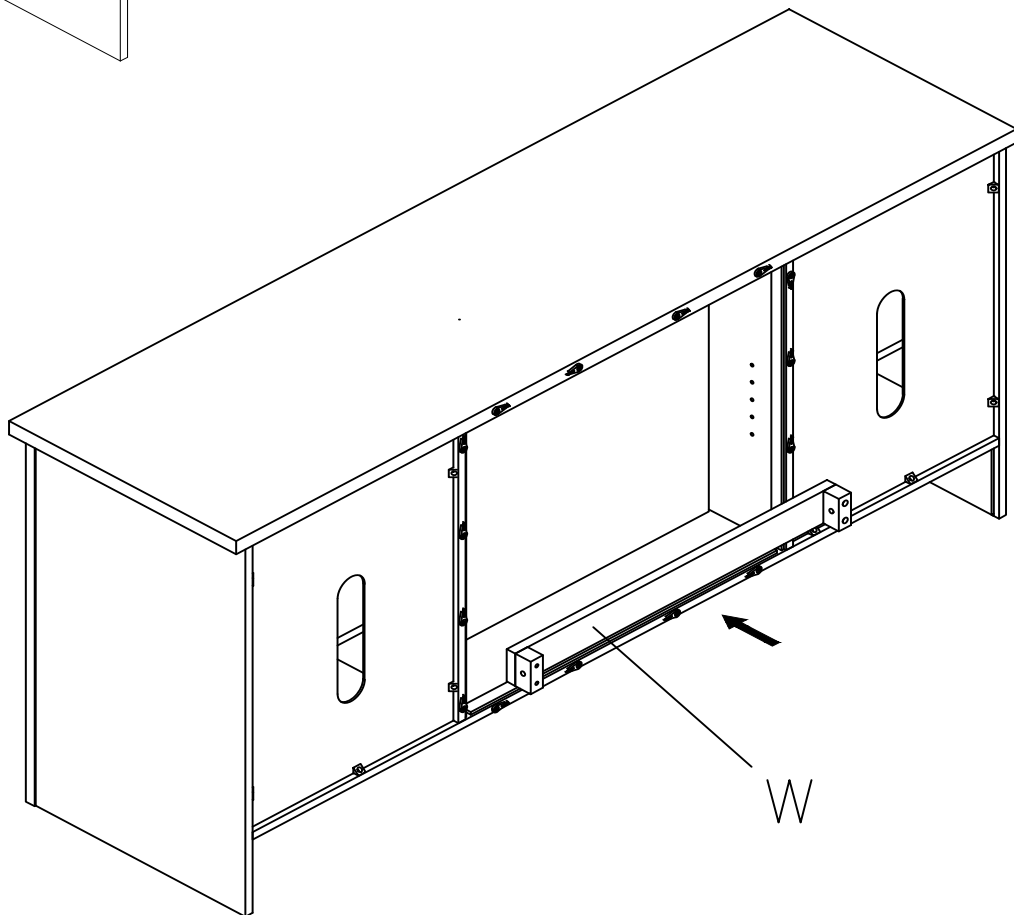
28



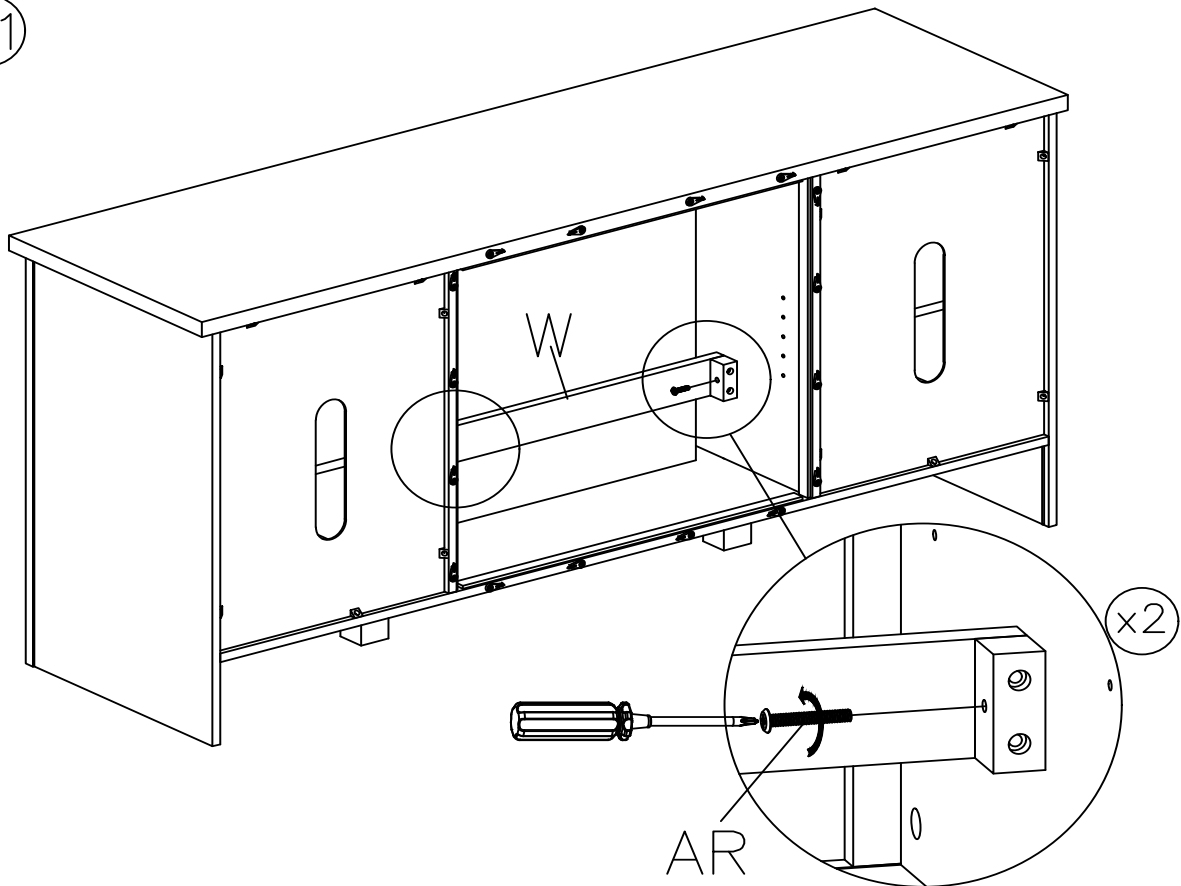
29



30



31

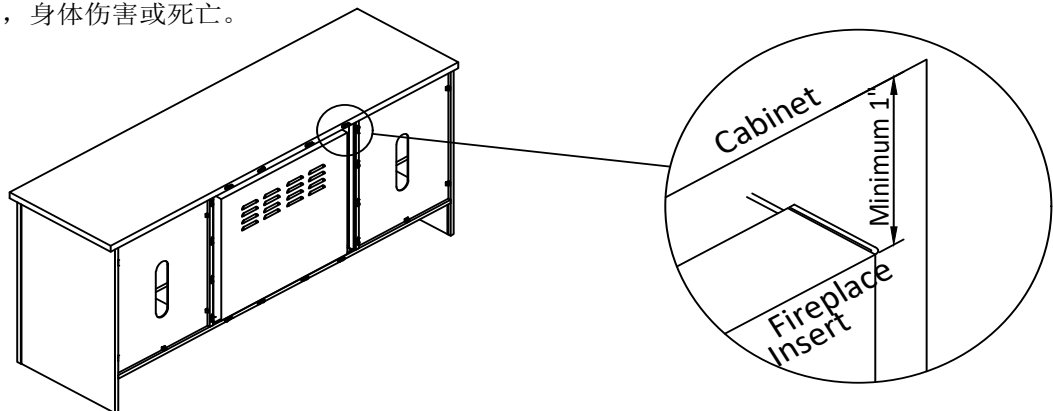


**⚠ WARNING:** The gap between the fireplace's top with any obstacles above it must be a minimum of 1inch. Failure to provide a minimum of a 1 inch gap as instructed could result in a fire, bodily injury, death or property damage.

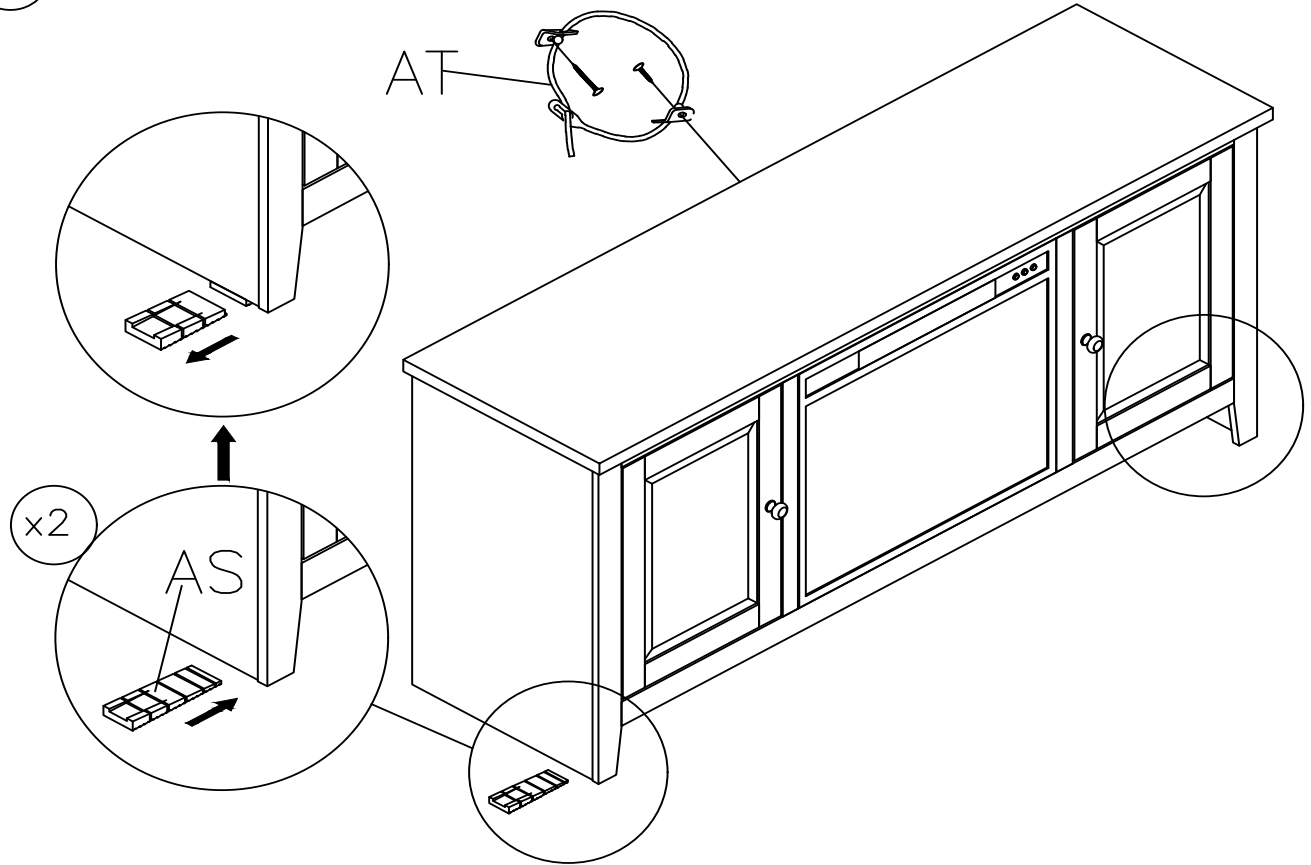
**⚠ ADVERTENCIA:** La brecha entre la parte superior de la estufa con cualquier obstáculo por encima de ella debe ser un mínimo de 1 pulgada. Falta de proporcionar un mínimo de un espacio de 1 pulgada según las instrucciones podría resultar en un incendio, lesiones y muerte o daños materiales.

**⚠ AVERTISSEMENT:** L'espace entre le dessus du foyer et tout obstacle se trouvant au-dessus doit être d'un minimum de 1 po. Le fait de ne pas laisser un espace d'un minimum de 1 po, tel qu'il a été instruit, pourrait entraîner un feu, des blessures, la mort ou des dommages matériels.

**⚠ 警告:** 壁炉的顶部距离上面障碍物必需保持至少1英寸的空隙，如果违背说明书低于1英寸，可能会导致火灾，财产损失，身体伤害或死亡。



32



NOTE: IF THE UNIT IS PLACED ON AN UNLEVEL SURFACE, PLACE A LEVELER UNDERNEATH ONE FOOT UNTIL THE UNIT IS LEVEL. BREAK OFF ANY PROTRUDING SEGMENTS.

NOTA: EN CASO DE QUE EL DISPOSITIVO ESTÉ COLOCADO SOBRE UNA SUPERFICIE DESNIVELADA, PONGA UN NIVELADOR POR DEBAJO DE UNA PATA DE DISPOSITIVO HASTA QUE EL CUAL ESTÉ NIVELADO. ROMPA CUALQUIERA DE LOS SEGMENTOS QUE SOBRESALEN.

REMARQUE: SI L'UNITE EST PLACEE SUR UNE SURFACE DE NON-NIVEAU, PLACEZ UN NIVELEUR SUR UNE PIE JUSQUE'A CETTE UNITE EST PLACEE, ROMPREZ TOUT SEGMENTS SAILLANTS.

提醒：如果产品无法放水平，请在某一条腿下放置楔形脚垫。待家具放置水平之后，敲掉多余的部分

**! WARNING !**

The use of the included tipping restraint may reduce, but not eliminate, the risk of furniture tip over. Follow the instructions on the plastic bag for proper installation.

**!ADVERTENCIA!**

El uso del dispositivo diseñado para evitar que el mueble se dé vuelta reduce pero no elimina el riesgo de que eso pueda suceder. Siga las instrucciones que hay en la bolsa plástica para la instalación adecuada.

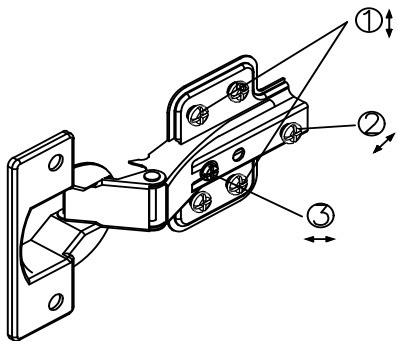
**! AVERTISSEMENT !**

L'utilisation du système anti-bascule peut réduire, mais n'élimine pas, les risques de renversement du meuble. Suivez les instructions se trouvant sur le sac en plastique pour l'installer correctement.

! 敬告 !

使用防倾倒装置只能降低但不能完全避免倾倒风险,安装此装置时请按照包装袋上的说明。

OPTIONAL: To adjust your doors to make the gaps more even.  
 OPCIONAL: Para ajustar las puertas para hacer los boquetes más incluso.  
 FACULTATIF: Pour ajuster vos portes pour rendre les espaces plus encore.  
 需要时: 可以通过调整合页来保持门缝均匀。



ENGLISH

- ① Door height adjusts screws (up & down).
- ② Adjusts distance between door and cabinet (in & out).
- ③ Adjusts distance between door and cabinet (side to side).

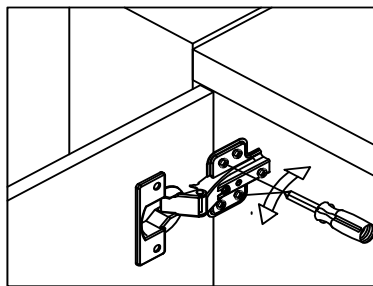
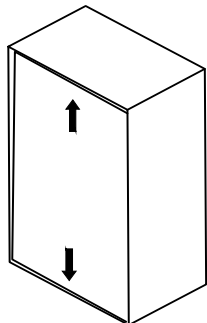
ESPAÑOL

- ① La altura de la puerta ajusta los tornillos (para arriba y abajo).
- ② Ajusta distancia entre la puerta y el gabinete (en y hacia fuera).
- ③ Ajusta distancia entre la puerta y el gabinete (lado al lado).

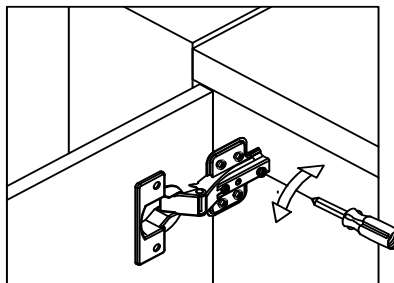
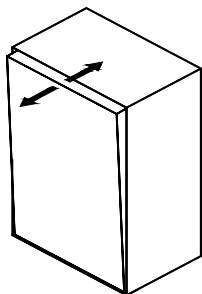
FRANÇAIS

- ① L'ajustement des vis (vers le haut et vers le bas).
- ② L'ajustement des la distance entre la porte et le coffret (dedans et dehors).
- ③ L'ajustement de la distance entre la porte et le coffret (cote a cote).

1. 拧紧或拧松螺丝“①”可以调节柜门上下的间隙;



2. 拧紧或拧松螺丝“②”可以调节柜门前后的位置;



3. 拧紧或拧松螺丝“③”可以调节柜门左右的间隙。

