


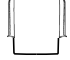




ITEM: RC260-PB-095 Kerley Manual Push Back Recliner

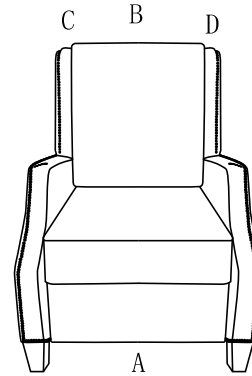
(P2143)

Thank you for purchasing this quality product. Be sure to unpack carefully looking for small parts which may have come loose during shipment.

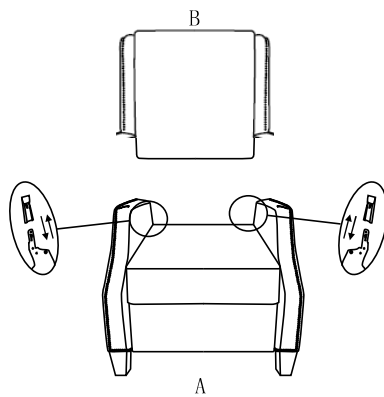
Read all instruction and study the drawing carefully before starting the assembly process.

Parts List

NO .	DESCRIP TION	SKETCH	QTY
A	Seat		1PC
B	Back Cushion		1PC
C	Bolt		4PC
D	front leg		2PC
E	Back leg		2PC
F	Glide		4PC

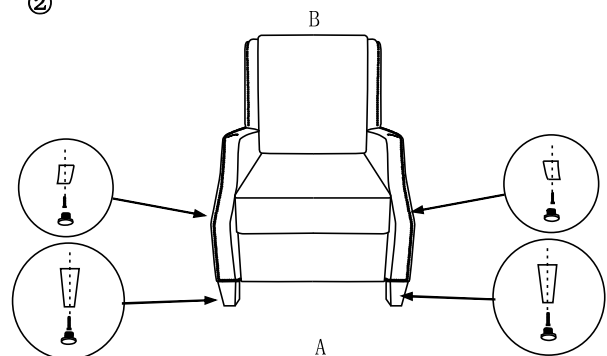


①



1. Place Bracket into Sleeve and press top of back down firmly to lock your KD back in place

②



2. Take down the bag from the bottom of the chair, legs are packed inside. Assemble the legs as the picture shows

**CAUTION**

Do not allow children to play on this mechanism furniture or operate the mechanism. Leg rest folds down on closing so that child could possibly be injured. Always leave in an upright and closed position and keep hands feet clear of mechanism. Only the occupant should operate it.