

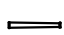



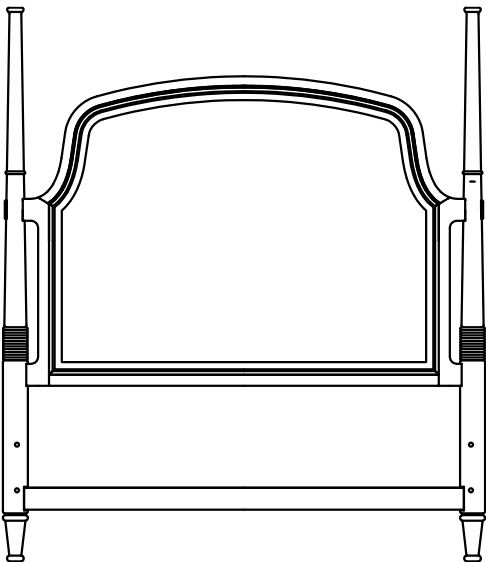
ASSEMBLY INSTRUCTION

ITEM: 7050-90651-02 5/0 Upholstered Headboard
 7050-90651-89 5/0 Upholstered Headboard
 7050-90667-02 6/0-6/6 Upholstered Headboard
 7050-90667-89 6/0-6/6 Upholstered Headboard

Thank you for purchasing this quality product. Be sure to unpack carefully looking for small parts which may have come loose during shipment.
 Read all instruction and study the drawing carefully before starting the assembly process.

HARDWARE PACK				
NO.	DRAWING	DESCRIPTION	SIZE	Q'TY
A		Hook	4*53mm	2 PCS
B		Plastic Anchor	∅ 9*30mm	2 PCS

PARTS LIST			
NO.	DRAWING	DESCRIPTION	Q'TY
1		Headboard Post	2 PCS
2		Headboard	1 PC



When using headboard only, hang the metal ring (C) onto the hook (A).

