




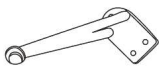

# ASSEMBLY INSTRUCTION

ITEM: CC416-086

## Kayne Accent Chair

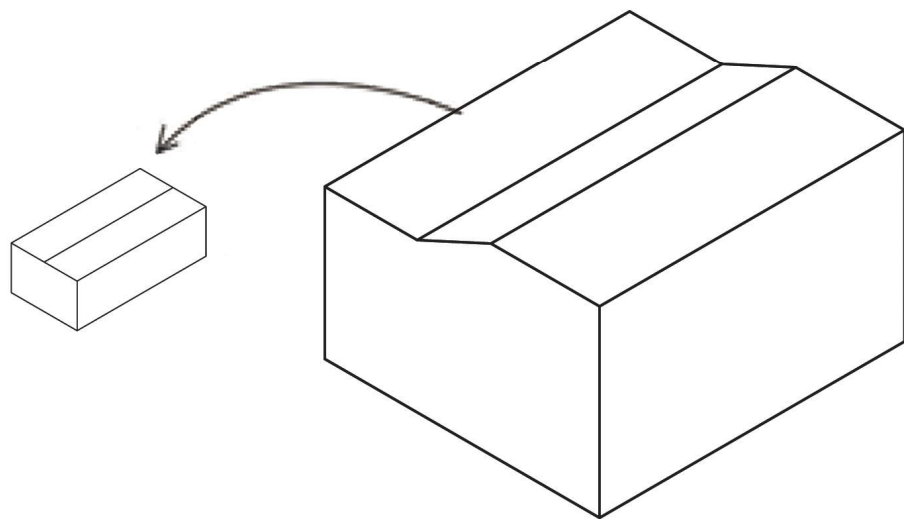
Thank you for purchasing this quality product. Be sure to unpack carefully looking for small parts which may have come loose during shipment.

Read all instruction and study the drawing carefully before starting the assembly process .

	Description	Sketch	Quantity
A	bolt		12
B	gasket		12
C	wrench		1
D	front leg		2
E	back leg		2

**Note: One leg with 3 bolt and 3 gasket.**

**Step 1: Take out the foot box from the carton. The foot box contains the feet (D/E) and accessories.**



**CAUTION**

Do not allow children to play on this mechanism furniture or operate the mechanism. Leg rest folds down on closing so that child could possibly be injured. Always leave in an upright and closed position and keep hands feet clear of mechanism. Only the occupant should operate it.

# ASSEMBLY INSTRUCTION

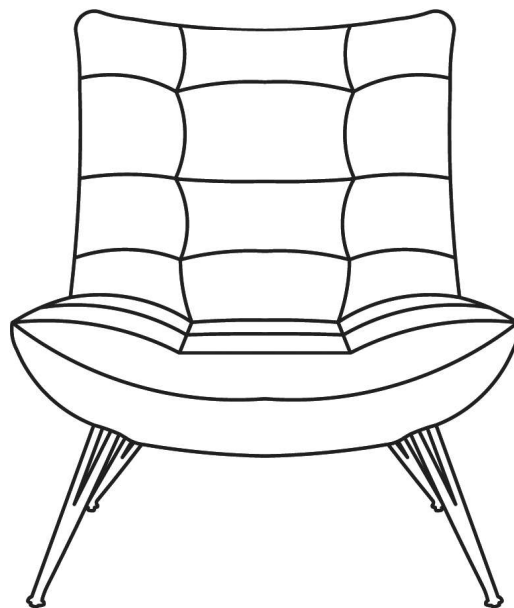
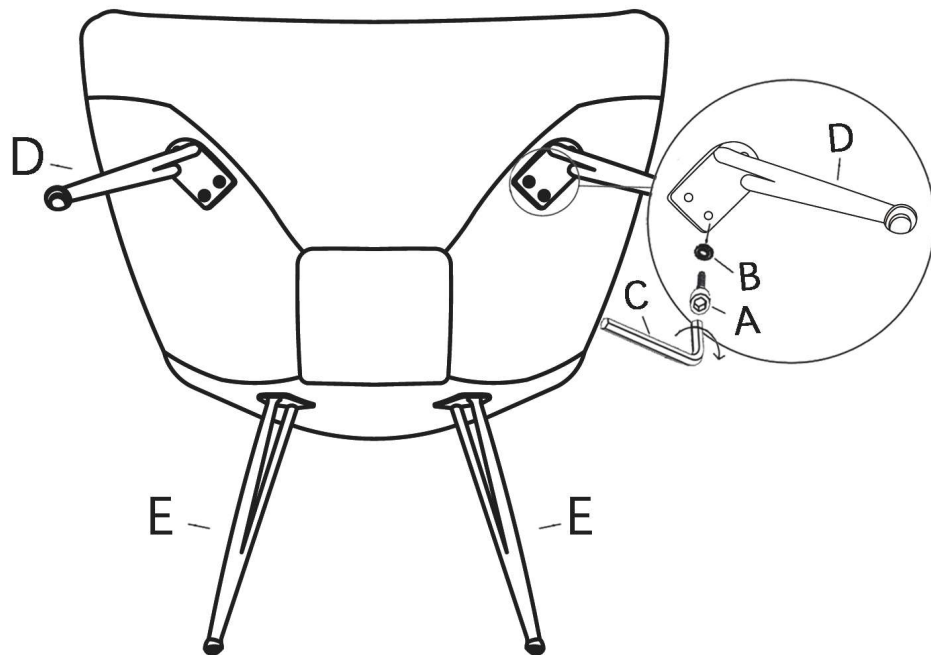
ITEM: CC416-086

## Kayne Accent Chair

Thank you for purchasing this quality product. Be sure to unpack carefully looking for small parts which may have come loose during shipment.

Read all instruction and study the drawing carefully before starting the assembly process .

**Step 2:** After aligning the D/E pins with the hole positions, lock them with the bolt and gasket.



**CAUTION**

Do not allow children to play on this mechanism furniture or operate the mechanism. Leg rest folds down on closing so that child could possibly be injured. Always leave in an upright and closed position and keep hands feet clear of mechanism. Only the occupant should operate it.