

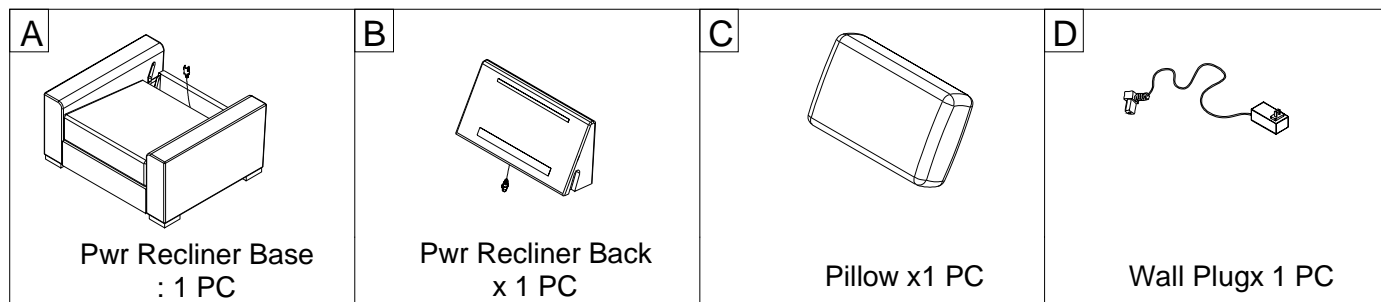
# HOKKER<sup>®</sup> FURNISHINGS

## ASSEMBLY INSTRUCTION

ITEM: SS925-PH1-XXX-S/L-Optimus PWR Recliner w/ PWR Headrest-SML/LRG

Thank you for purchasing this quality product. Be sure to unpack carefully looking for small parts which may have come loose during shipment. Read all instruction and study the drawing carefully before starting the assembly process.

**CAUTION:** Make sure to read the instructions below before assembling your four motor lift chair. We suggest two people be used in the assembly of your lift chair.



Step 1

Back receiver brackets

Ensure both clips on back are aligned, then press top of back frame downward until a clicking sound is heard.

Steel mechanism posts

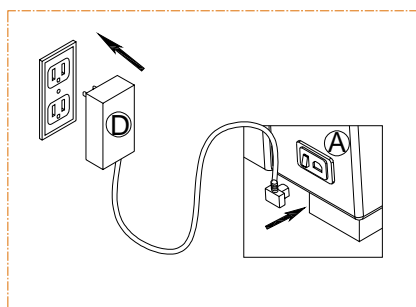
x2

Headrest

Step 2

Connect the zipper and Velcro straps of the pillow to the backrest

Step 3



Do Not plug the power cord into a power outlet until your recliner is fully assembled and in place.

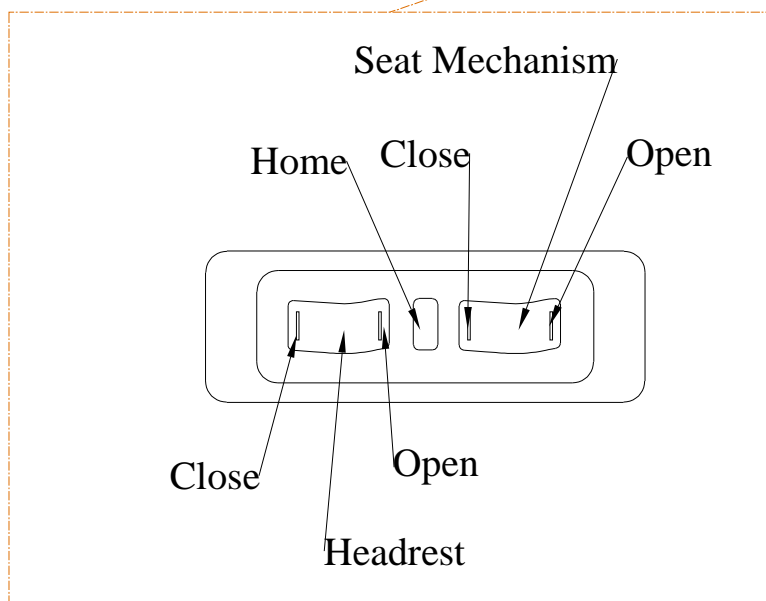
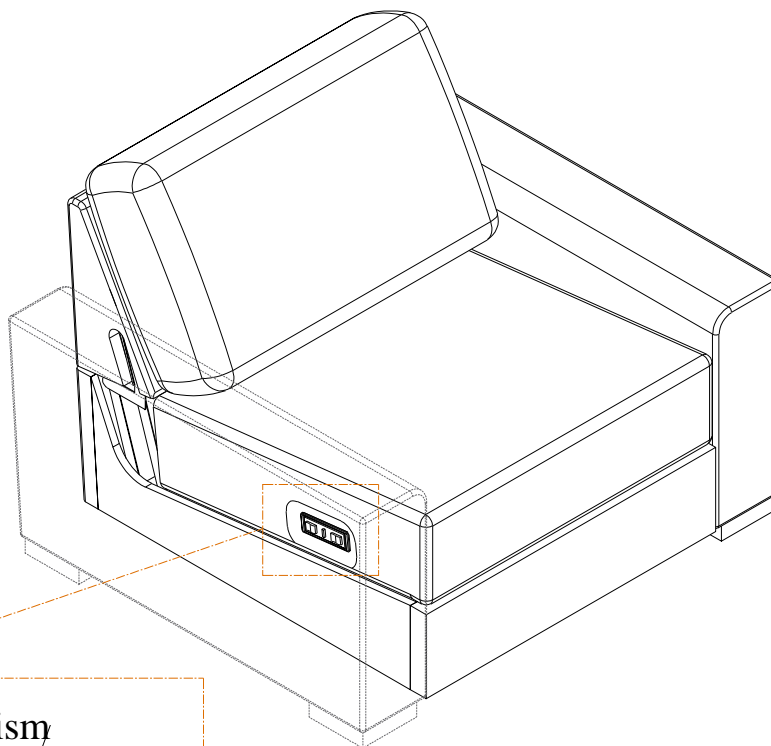
### Notes:

- 1)To help prevent shock and or damage to your product only plug the power cord into a grounded outlet.
- 2)Read the operating instructions carefully before operating your lift chair.

### IMPORTANT NOTE

- To avoid any risk of suffocation to children or pets, dispose of all plastic bags immediately.
- To ensure proper performance, occasionally check for loose screws and tighten as needed.

CAUTION: Read the important instructions below before operating your power mechanized equipment  
Do not allow children to play on or operate this power mechanized equipment



\*Press and hold the Home button to return the recliner, headrest, backrest, footrest, and lumbar support to their original positions.

NOTE: This device complies with part 15 of the FCC rules. Operation is subject to the following two conditions: (1) this device may not cause interference, and (2) this device must accept any interference, including interference that may cause undesired operation of the device. Modifications not approved by the party responsible for compliance could void user's authority to operate the equipment.

### Customer Service

If you have any questions regarding the use of this unit, or find that your unit needs service, please contact your retailer.

Product Protected By Following Patents:  
Patented Articulating Power Headrest & Lumbar  
US Patent: 10,736,423