





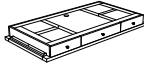


Thank you for purchasing this quality product. Be sure to unpack carefully looking for small parts which may have come loose during shipment.

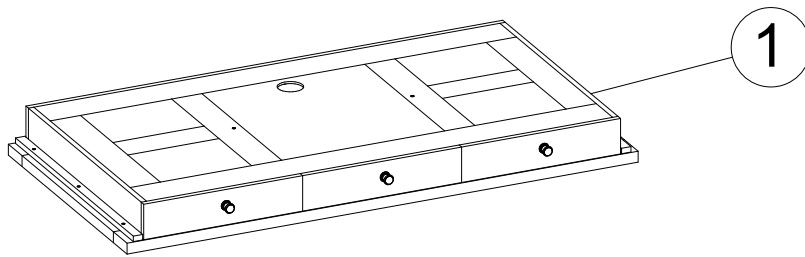
Read all instruction and study the drawing carefully before starting the assembly process.

HARDWARE PACK

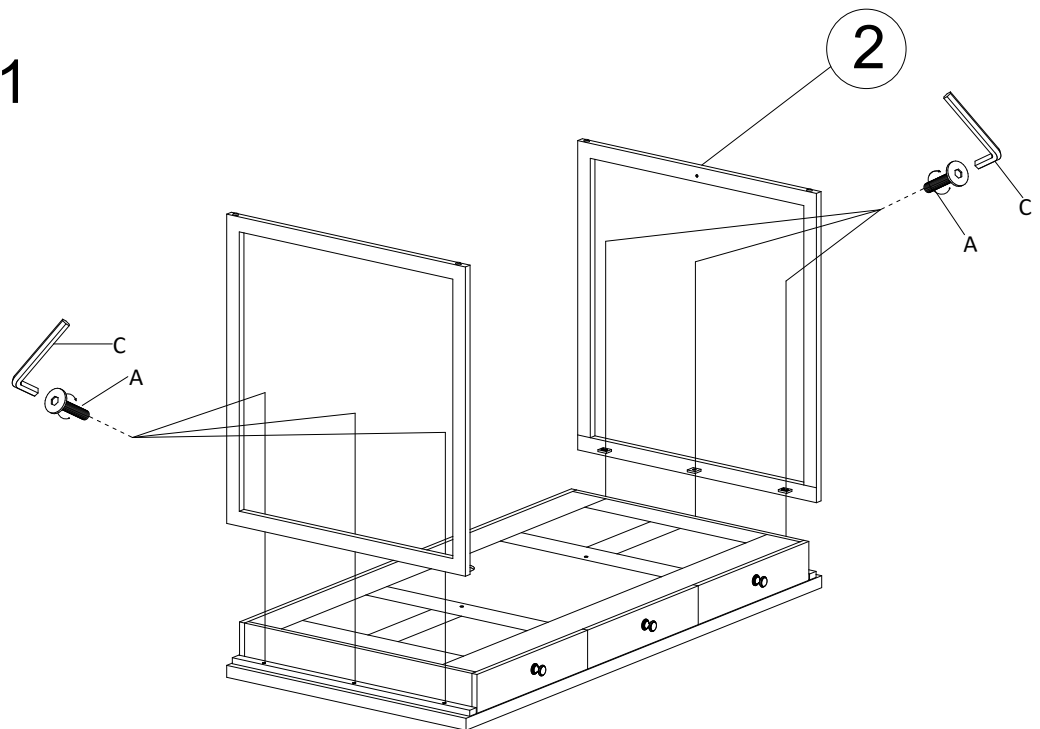
NO.	DRAWING	DESCRIPTION	SIZE	QTY
A		Bolt	M8 x 25mm	6
B		Bolt	M6 X 20mm	4
C		Allen Key	M5	1
D		Allen Key	M4	1

PART LIST

NO.	DRAWING	DESCRIPTION	QTY
①		Top Structure	1
②		Iron Square Side Leg	2
③		Iron Angled Pipe Bottom	2

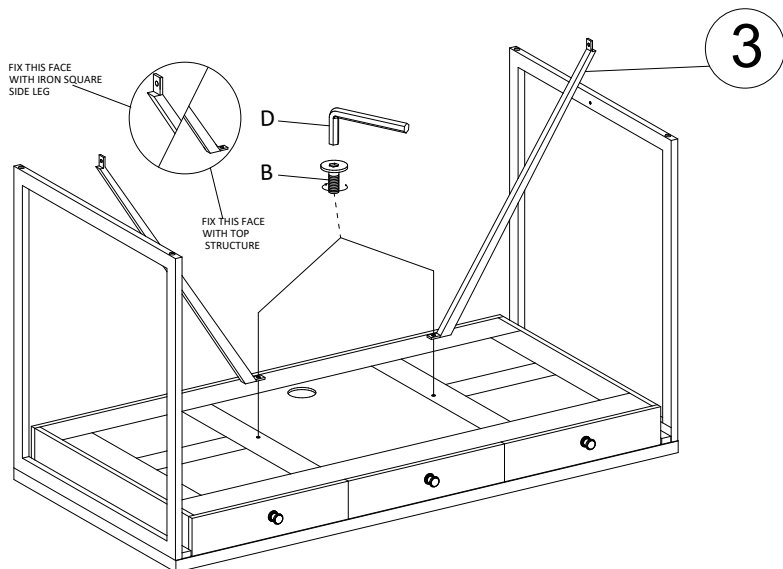


STEP-1

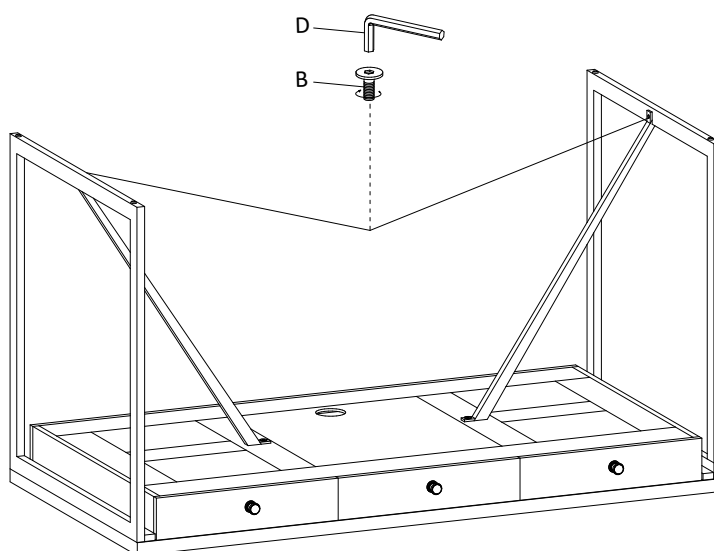


STEP-2

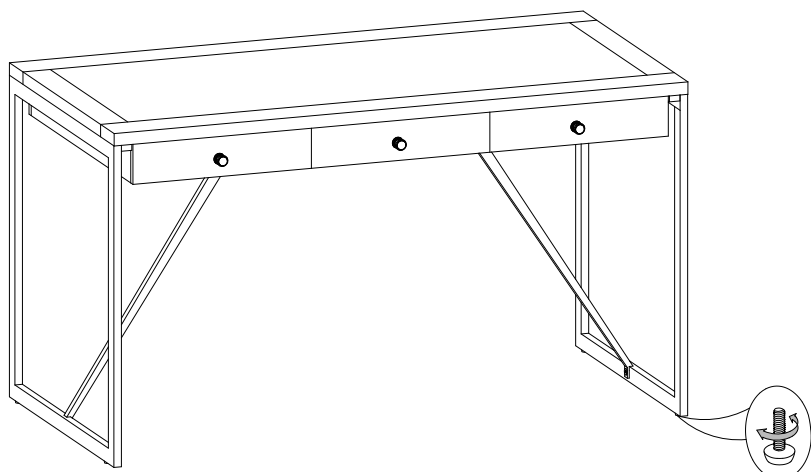
Thank you for purchasing this quality product. Be sure to unpack carefully looking for small parts which may have come loose during shipment.
Read all instruction and study the drawing carefully before starting the assembly process.



STEP-3



STEP-4



STEP-5

Adjust Leveler if needed to level table on uneven floor.