

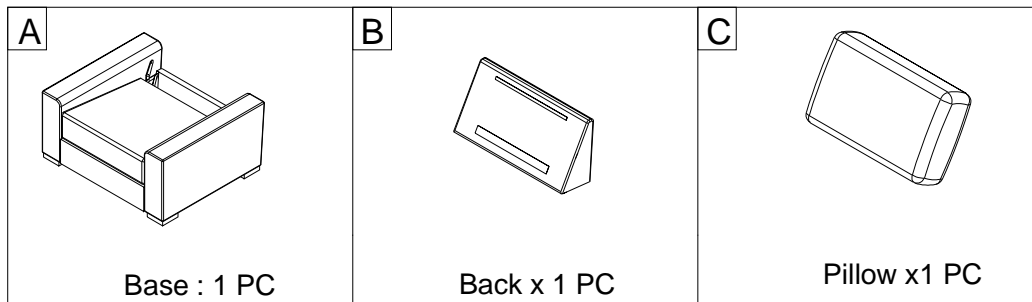
HOOKER[®] FURNISHINGS

ASSEMBLY INSTRUCTION

ITEM: SS925-01-XXX-S/L-Optimus Stationary Chair-SML/LRG

Thank you for purchasing this quality product. Be sure to unpack carefully looking for small parts which may have come loose during shipment. Read all instruction and study the drawing carefully before starting the assembly process.

CAUTION: Make sure to read the instructions below before assembling chair. We suggest two people be used in the assembly of chair.

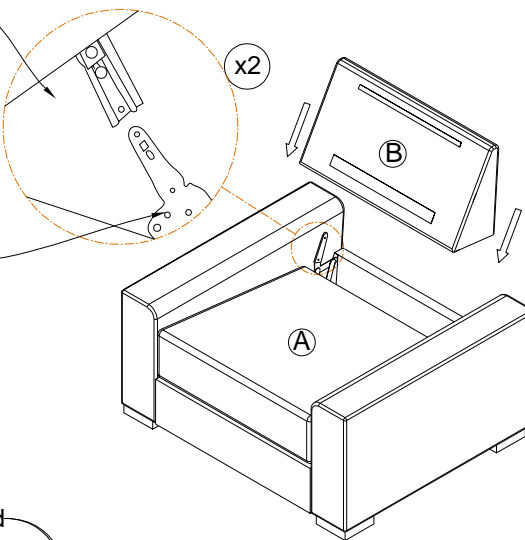


Step 1

Back receiver brackets

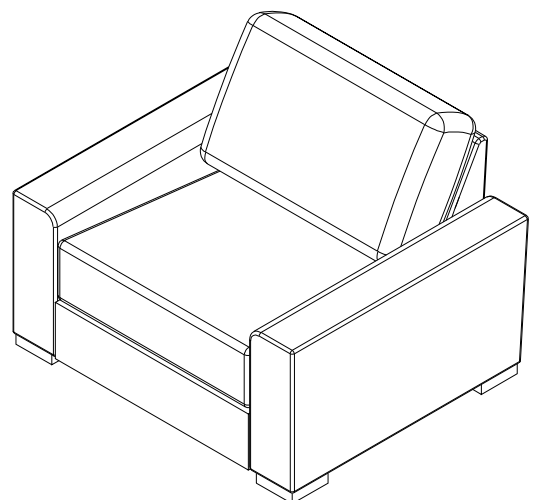
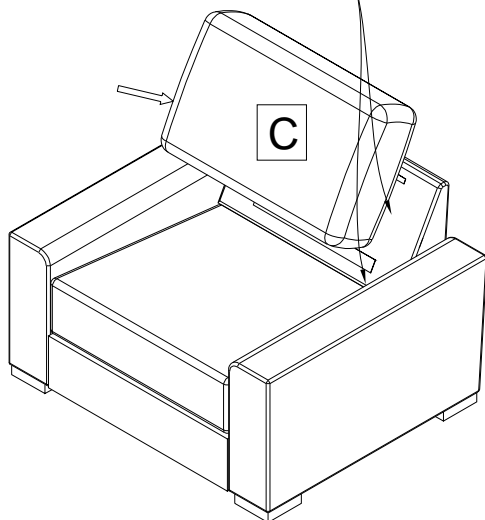
Ensure both clips on back are aligned, then press top of back frame downward until a clicking sound is heard.

Steel mechanism posts



Step 2

Connect the zipper and Velcro straps of the pillow to the backrest



IMPORTANT NOTE

- To avoid any risk of suffocation to children or pets, dispose of all plastic bags immediately.
- To ensure proper performance, occasionally check for loose screws and tighten as needed.