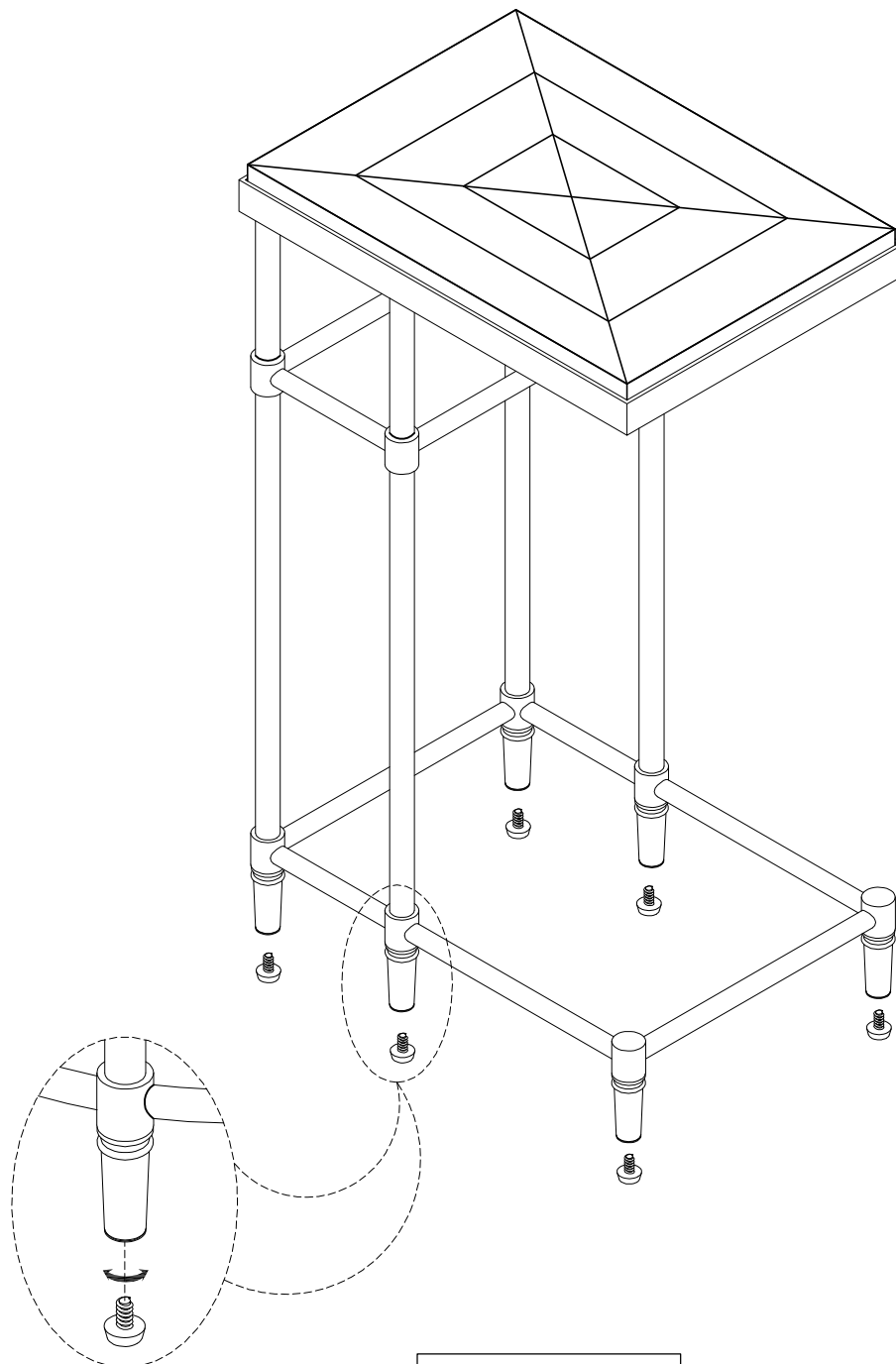


# ASSEMBLY INSTRUCTION

Item: 5601-80115-BLK *CHAIRSIDE TABLE*  
5601-80115-LTWD *CHAIRSIDE TABLE*

Thank you for purchasing this quality product. Be sure to unpack carefully looking for small parts which may have come loose during shipment.

Read all instruction and study the drawing carefully before starting the assembly process:



Adjust leveler if needed to  
level case on uneven floor