

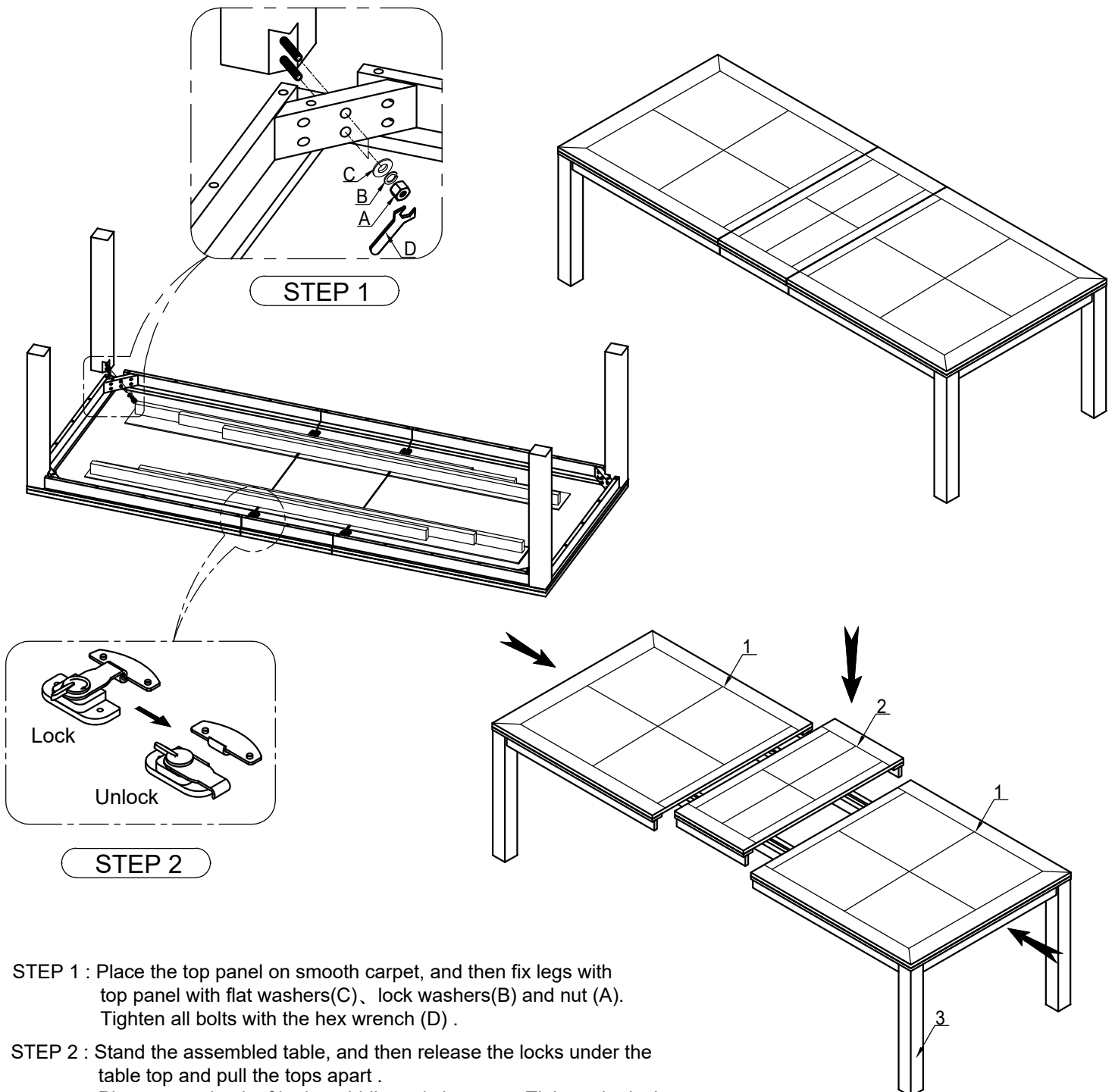
Thank you for purchasing this quality product. Be sure to unpack carefully looking for small parts which may have come loose during shipment.

Read all instruction and study the drawing carefully before starting the assembly process.

PARST LIST

1	TABLE TOP	1 SET
2	TABLE LEAF	1 Pcs
3	LEGS	4 Pcs

HARDWARE LIST				
NO.	DESCRIPTION	SIZE	DRAWING	Q'TY
A	NUT	Ø5/16"		8PCS
B	LOCK WASHER	Ø5/16"		8PCS
C	FLAT WASHER	Ø5/16**19MM		8PCS
D	OPEN WRENCH	13mm		1PC



STEP 1 : Place the top panel on smooth carpet, and then fix legs with top panel with flat washers(C)、lock washers(B) and nut (A). Tighten all bolts with the hex wrench (D) .

STEP 2 : Stand the assembled table, and then release the locks under the table top and pull the tops apart . Place extension leaf in the middle and close tops.Tighten the locks .