

Thank you for purchasing this quality product. Be sure to unpack carefully looking for small parts which may have come loose during shipment.

Read all instruction and study the drawing carefully before starting the assembly process.


### HARDWARE PACK

NO	DRAWING	DESCRIPTION	SIZE	QTY
A		ANTI-TIP KIT		1 PC

### PART LIST

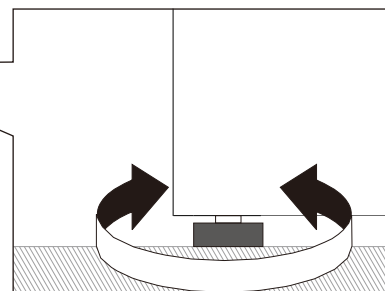
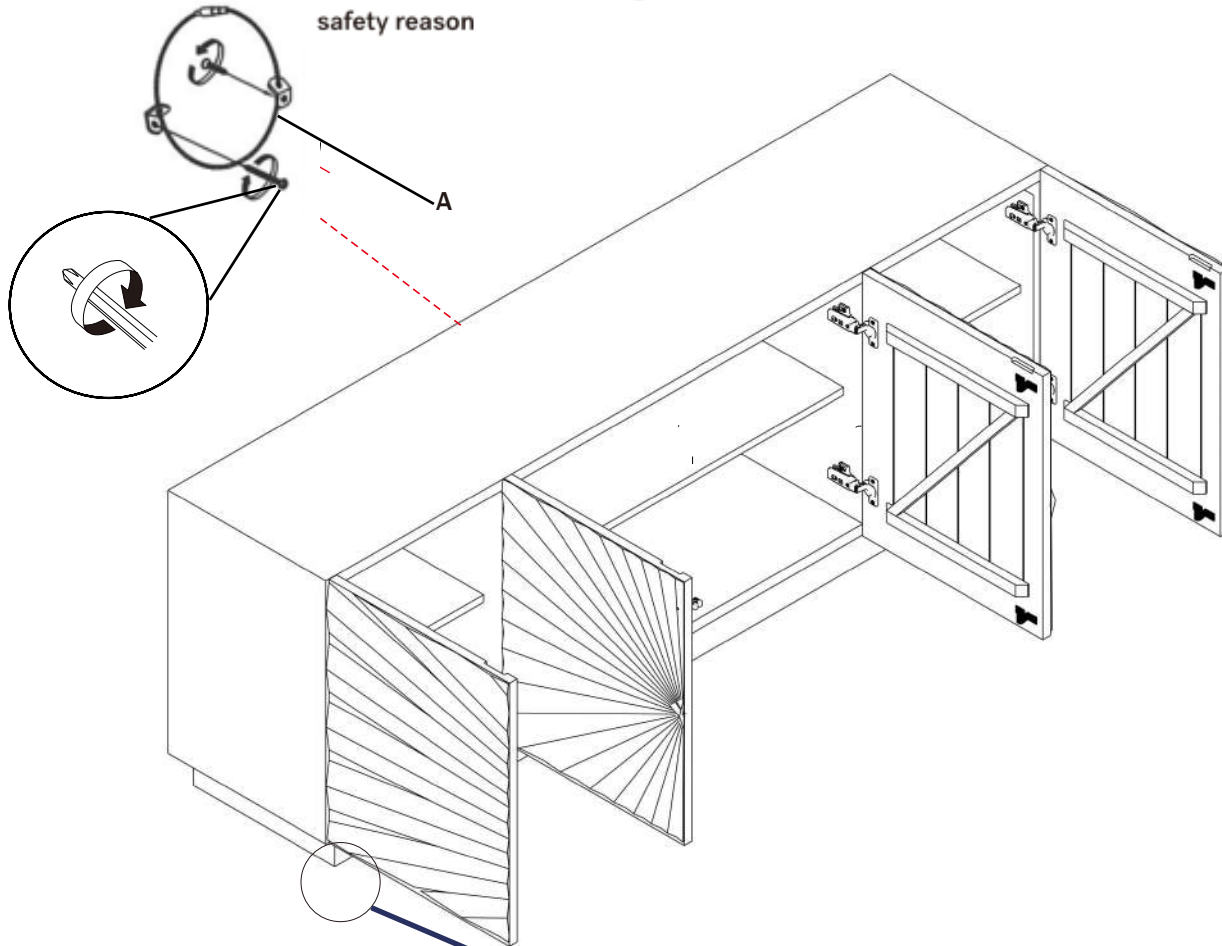
NO	DRAWING	DESCRIPTION	QTY
1		REMOVABLE SHELVES	3 PCS

### TOOL REQUIRED

DRAWING	DESCRIPTION
	PHILIP HEAD SCREWDRIVER (NOT INCLUDED IN PACKAGED)

### Tipping Restraint

Anti tipping kit include for use,  
We recommend to installing for  
safety reason



**NOTE :**  
Anti tipping kit restraint is provided .  
please follow the instruction enclosed with the pack

**NOTE :**  
ADJUST LEVELER IF NEEDED TO LEVEL  
CABINET ON UNEVEN FLOOR

Thank you for purchasing this quality product. Be sure to unpack carefully look for small parts which may have come loose during shipment. Read all instruction and study the drawing carefully before starting the assembly process.

## INSTRUCTIONS FOR HINGE ADJUSTMENT

(If necessary , please adjust the door panels by adjusting the set screw on the door hinges as needed.)

