

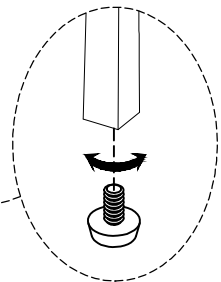
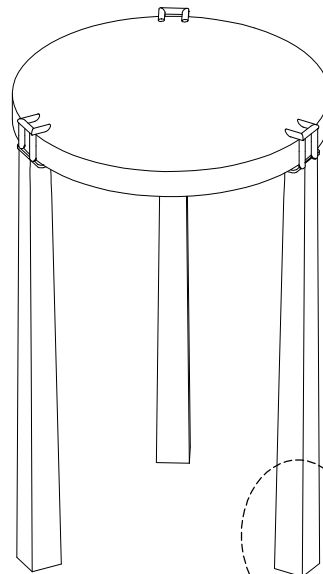
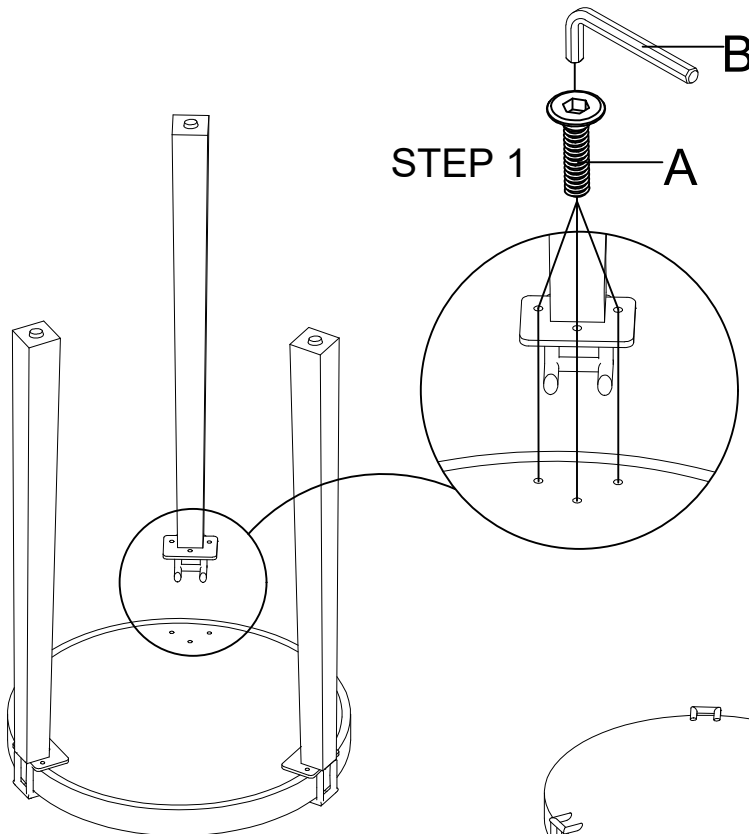
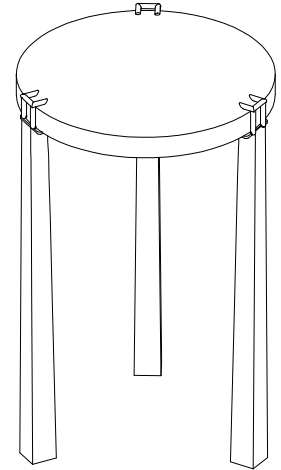


Thank you for purchasing this quality product. Be sure to unpack carefully looking for small parts which may have come loose during shipment.

Read all instruction and study the drawing carefully before starting the assembly process:

NO	DRAWING	DESCRIPTION	SIZE	Q'TY
A		Bolt	Ø1/4"*1"	9pcs
B		Allen wrench	4mm	1pc



Adjust leveler if needed to level case on uneven floor