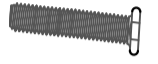
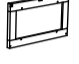
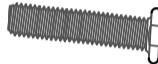







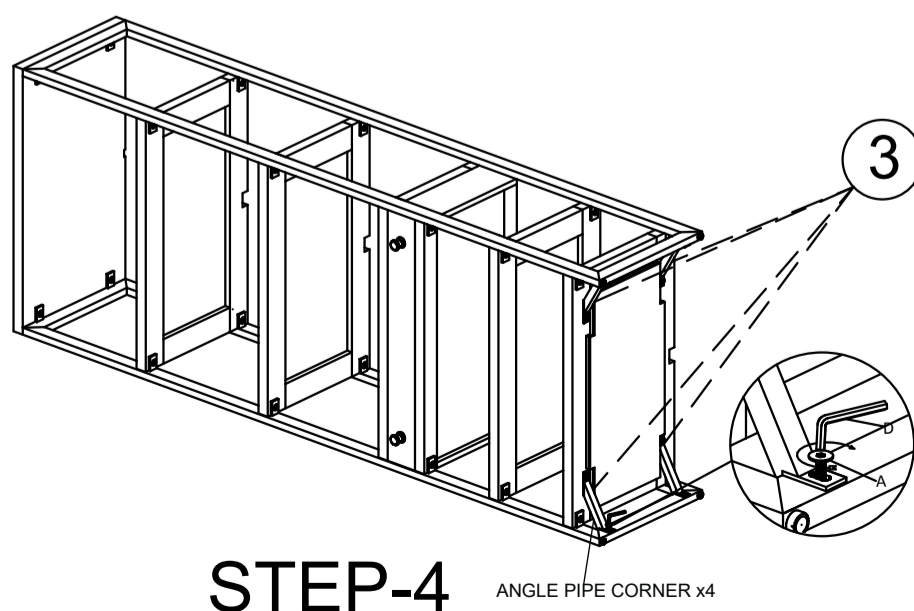
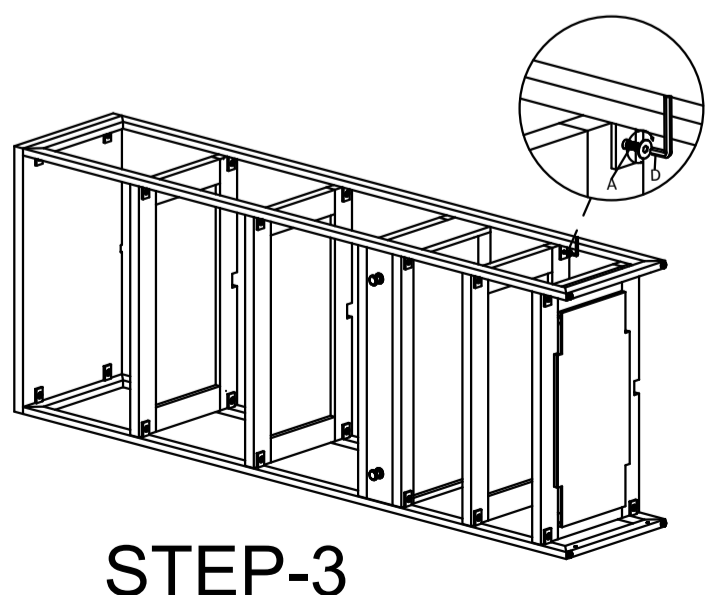
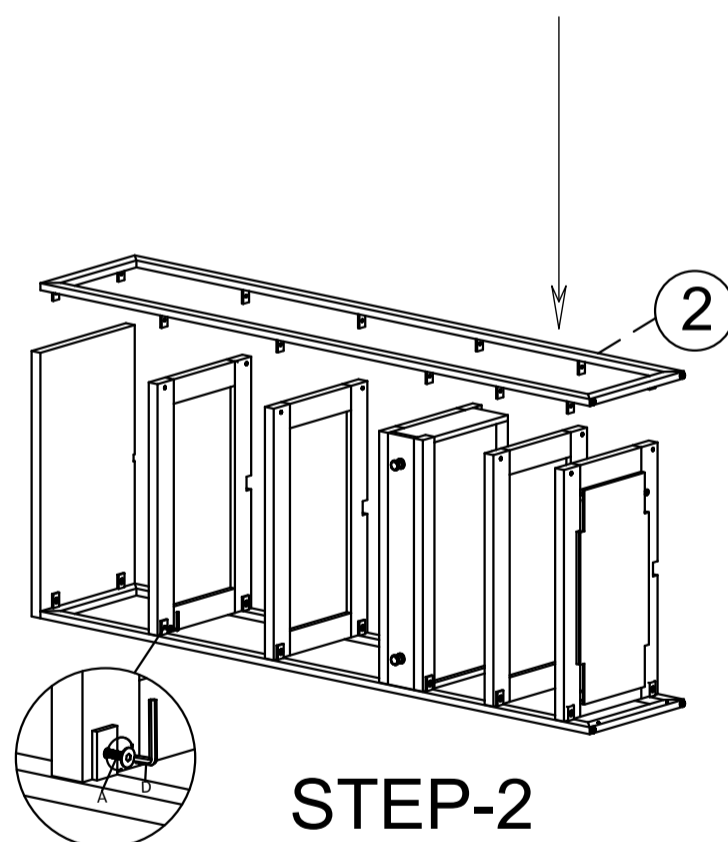
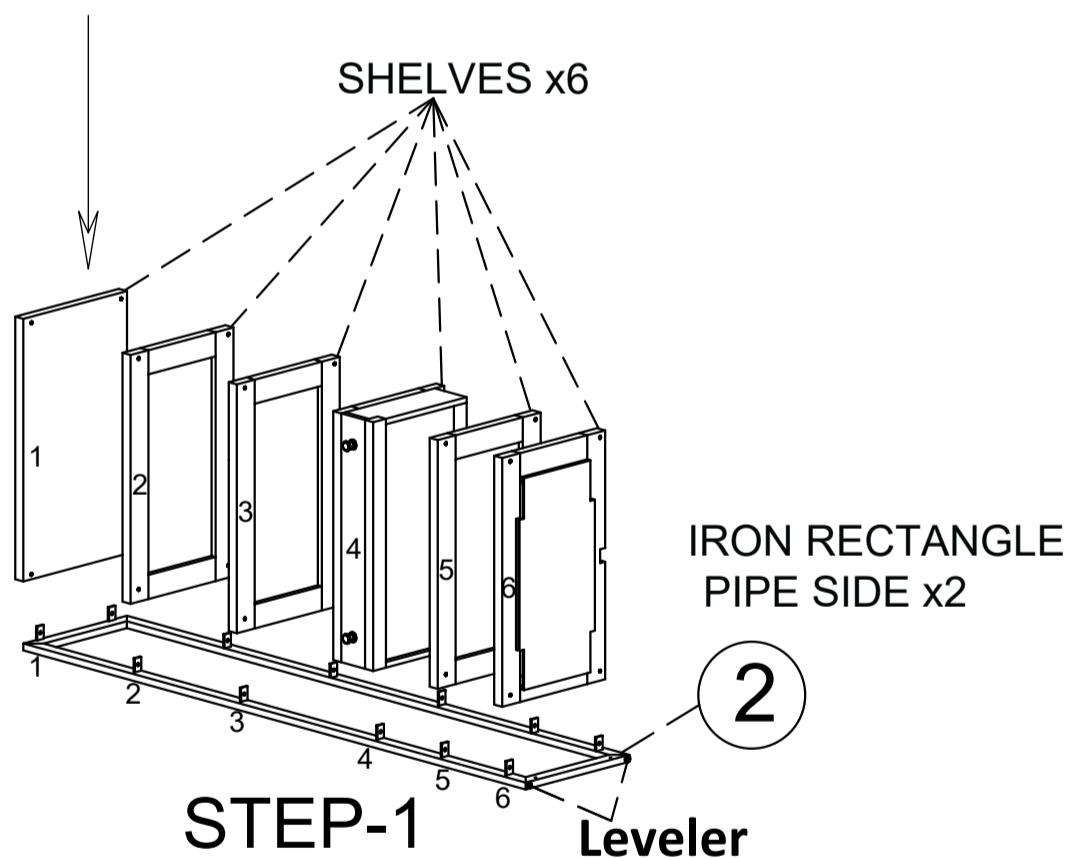
Thank you for purchasing this quality product. Be sure to unpack carefully looking for small parts which may have come loose during shipment.

Read all instruction and study the drawing carefully before starting the assembly process.

#### HARDWARE PACK

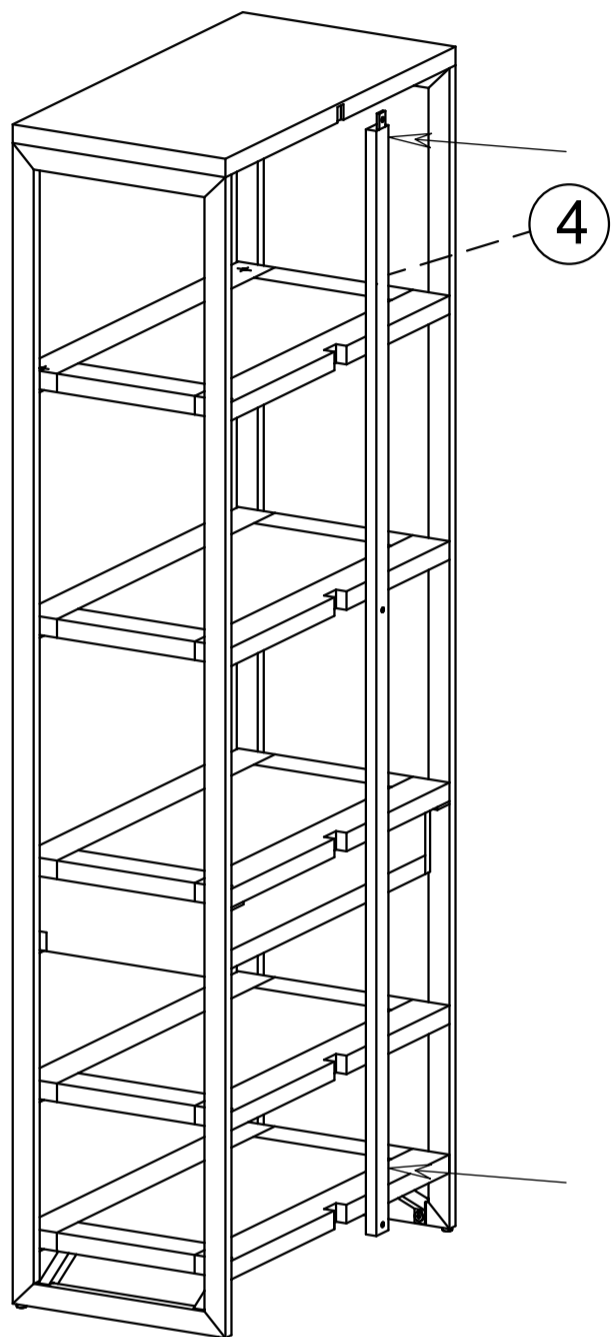
#### PART LIST

NO.	DRAWING	DESCRIPTION	SIZE	QTY	NO.	DRAWING	DESCRIPTION	QTY
A		Bolt	M6 x 20mm	33	①		Shelves	6
B		Bolt	M6 X 30mm	2	②		Iron Rectangle Pipe Side	2
C		Washer	8 X 20mm	3	③		Angled Pipe Corner	4
D		Allen Key	M4	1	④		Iron Pipe Back	1

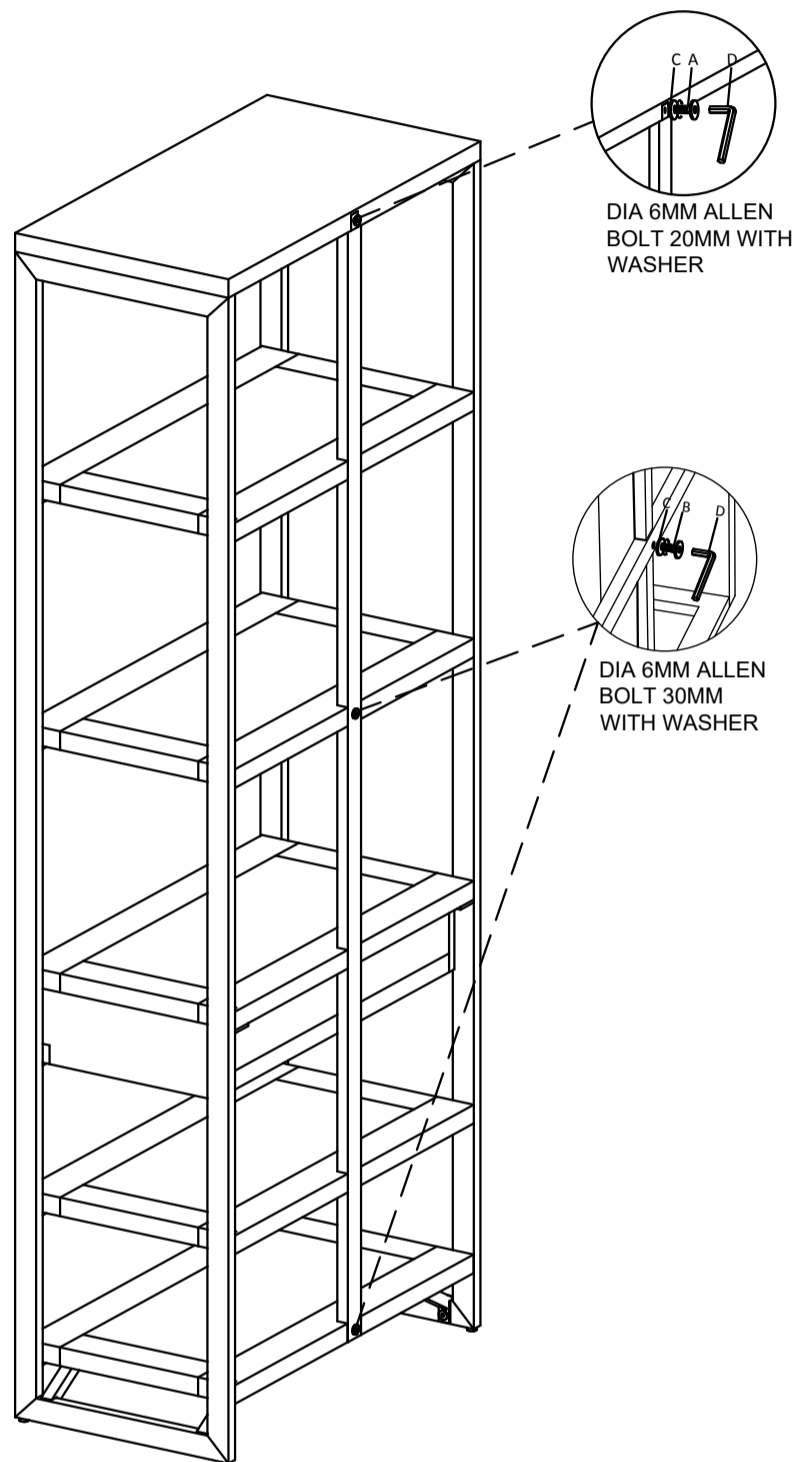


Thank you for purchasing this quality product. Be sure to unpack carefully looking for small parts which may have come loose during shipment.

Read all instruction and study the drawing carefully before starting the assembly process.



**STEP-5**



**STEP-6**



**STEP-7**

Adjust Leveler if needed to level table on uneven floor.