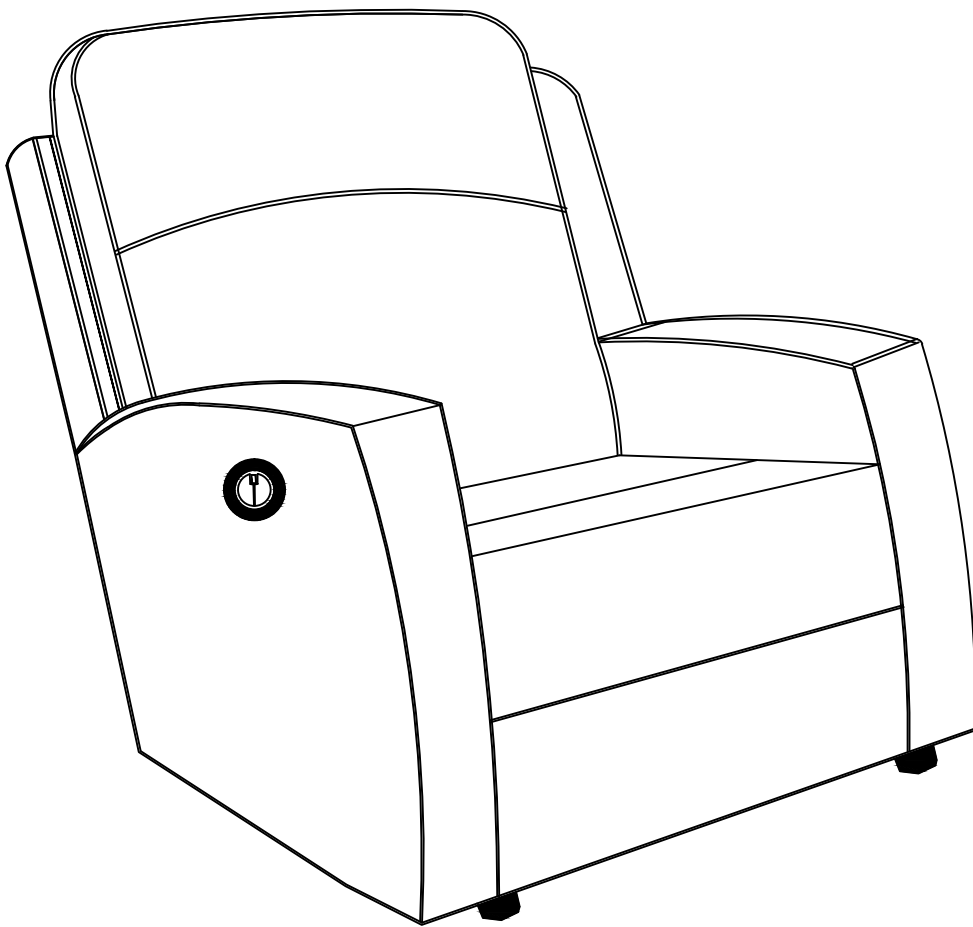


# Lift Chair

Item No. : DS-B036-011-013

DS-B036-011-1299

---



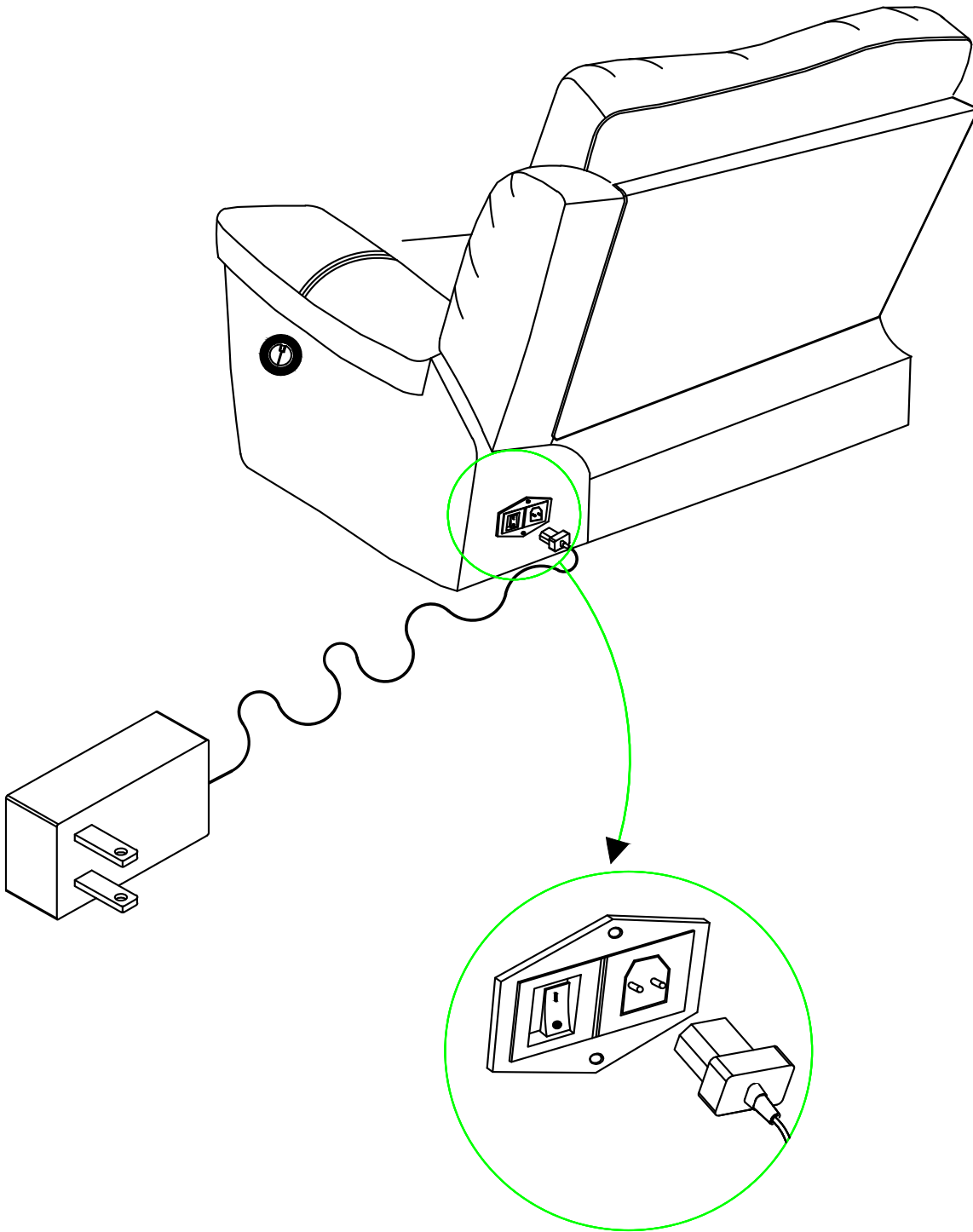
---

# Lift Chair

---

**CORD AND TRANSFORMER CONNECTIONS.**

**FOLLOW THE STEPS BELOW:**



---

# Assembly

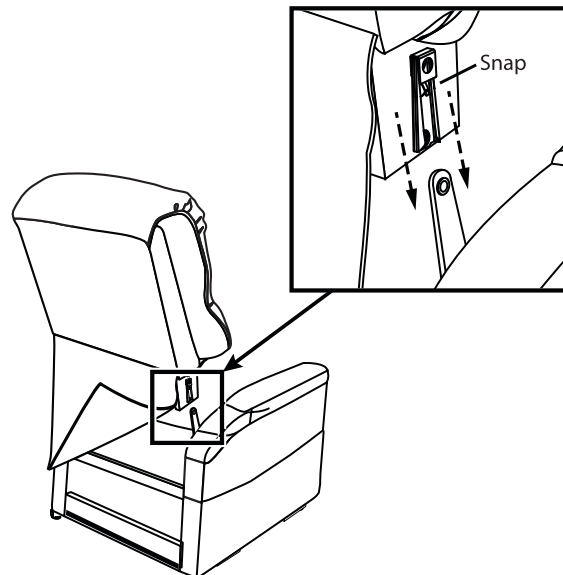
---

Your lift chair requires assembly before initial use.

## LIFT CHAIR SETUP

1. Align back brackets with mechanism posts.
2. Push firmly on the top of the back to lock into position. You must hear a snap from each side of the chair to ensure the back is locked in properly.
3. Attach the chair back to the hook-and-loop flaps on the bottom of the chair base.

**NOTE:** Pull up on the chair back to ensure that it is locked in place.



## ATTACHING THE CHAIR WINGS TO THE CHAIR BACK

STEP 1: Slide the metal inserts on the chair's wings into the metal sleeves on the side of the chair back.

STEP 2: Slide the wings down until they are completely set on the back metal

