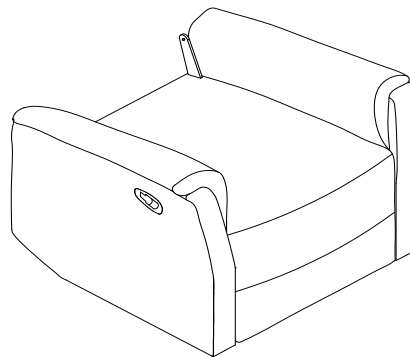
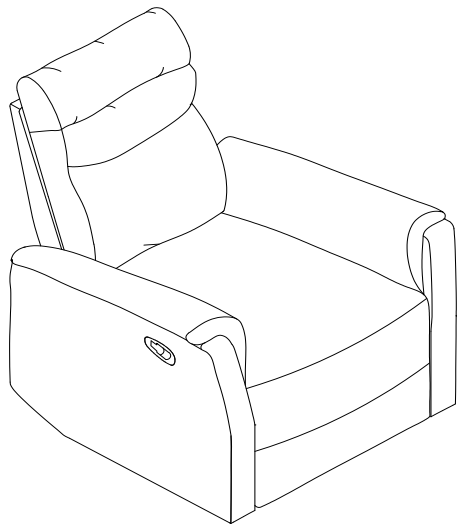


PARTS LIST / LISTE DES PIÈCES /LISTA DE PIEZAS

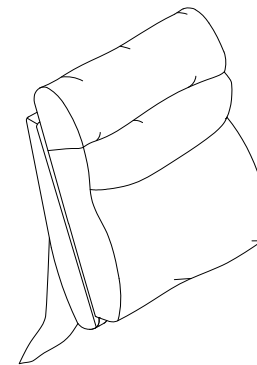
ITEM NO. / ARTICLE NO. / ARTICULO NO :DS-B035-001-004

DESCRIPTION/LA DESCRIPTION/DESCRIPCIÓN: Striker Wall Away Recl Blue
Striker Wall Away Fauteuil inclinable Bleue
Sillón reclinable Striker Wall Away azul



A

x1 Chair base (seat)
x1 Chaise base (sièges)
x1 Silla de base (asientos)



B

x1 Chair Back
x1 Dossier de Chaise
x1 Espalda de Silla

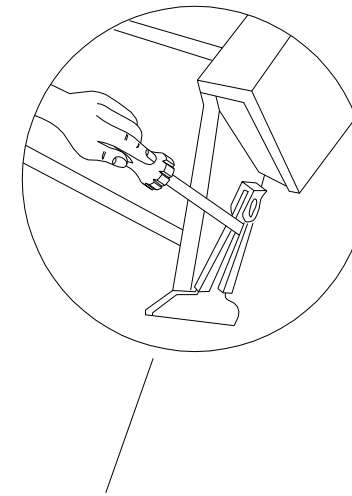
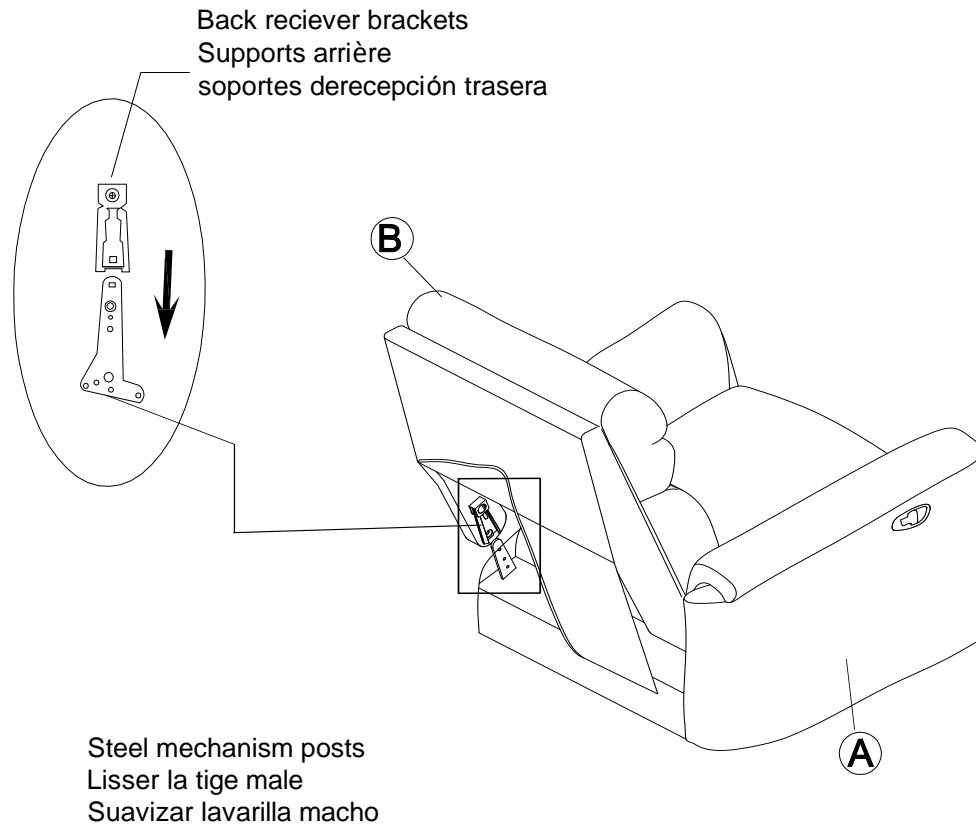
* *Replaceable Parts/Pièces Remplaçables/Piezas Reemplazables*



ASSEMBLY INSTRUCTIONS / NOTICE DE MONTAGE / INSTRUCCIONES DE MONTAJE

ITEM NO. / ARTICLE NO. / ARTICULO NO :DS-B035-001-004

DESCRIPTION/LA DESCRIPTION/DESCRIPCIÓN: Striker Wall Away Recl Blue
Striker Wall Away Fauteuil inclinable Bleu
Sillón reclinable Striker Wall Away azul



To remove the inside backs, use a screwdriver pressing outward on the black tab in the metal sleeve
Pour enlever le dossier, utiliser un tournevis et pousser vers l'extérieur sur la languette noire à l'intérieur de la gaine métallique
Para quitar la parte posterior interna use un destornillador y presione hacia afuera en la pestaña negra del manguito de metal

* *Replaceable Parts/Pièces Remplaçables/Piezas Reemplazables*

Protect Your Wood or Laminate Flooring

* This statement applies to any floor without carpet.

If not careful, all furniture including upholstery and case pieces can scratch, scuff and even gouge floors. The recommendation is to have felt, rubber pads or area rugs under furniture on flooring without carpet.

Moving your furniture

Pushing and dragging furniture over floor without carpet can lead to scratches and scuffs. Have someone help when moving the larger pieces of furniture by lifting, try using a dolly or moving pads.

Felt and rubber pads

Applying furniture pads to the feet of furniture helps cushion contact points. Furniture pads can be found at local hardware stores. Felt pads slide easily across the floor, making them ideal for dining chairs and other pieces that move with use. Rubber pads will help furniture stay in place and are perfect for larger pieces, like sofas and loveseats.

Area rugs and rug pads

Using an area rug under furniture is another way to protect your floor from scratches and scuff marks. A rug pad under the area rug will provide extra cushion and added protection.