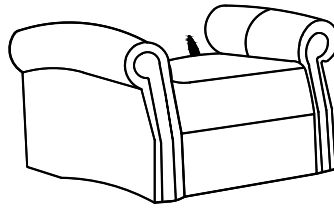




Component of chair / Composant de chaise / Componente de la silla

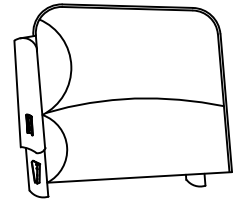
ITEM NO. / ARTICLE NO. / ARTICULONO: B030-008-1038

DESCRIPTION / DESCRIPCIÓN: PUSH BACK RECLINER MELANGE 1957 CHARCOAL / FAUTEUIL DECORATIFS / SILLA DECORATIVA



(A)

X 1 SEAT ARM*



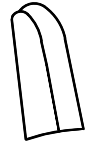
(B)

X 1 BACK REST



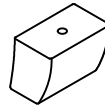
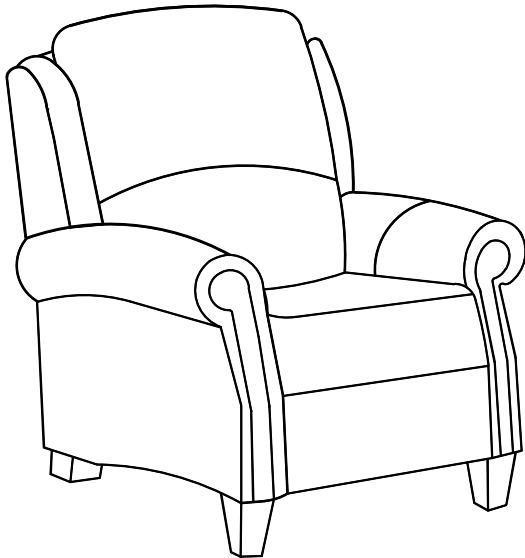
(C)

X 1 RIGHT ARM*



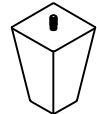
(D)

X 1 LEFT ARM*



(E)

X 2 LEGS BACK ARM*



(F)

X 2 LEGS FRONT ARM*



(G)

X 2 PLASTIC ARM*



(H)

X 2 BOLT M8x55MM



(I)

X 2 SPRING WASHER



(J)

X 2 FLAT WASHER



(K)

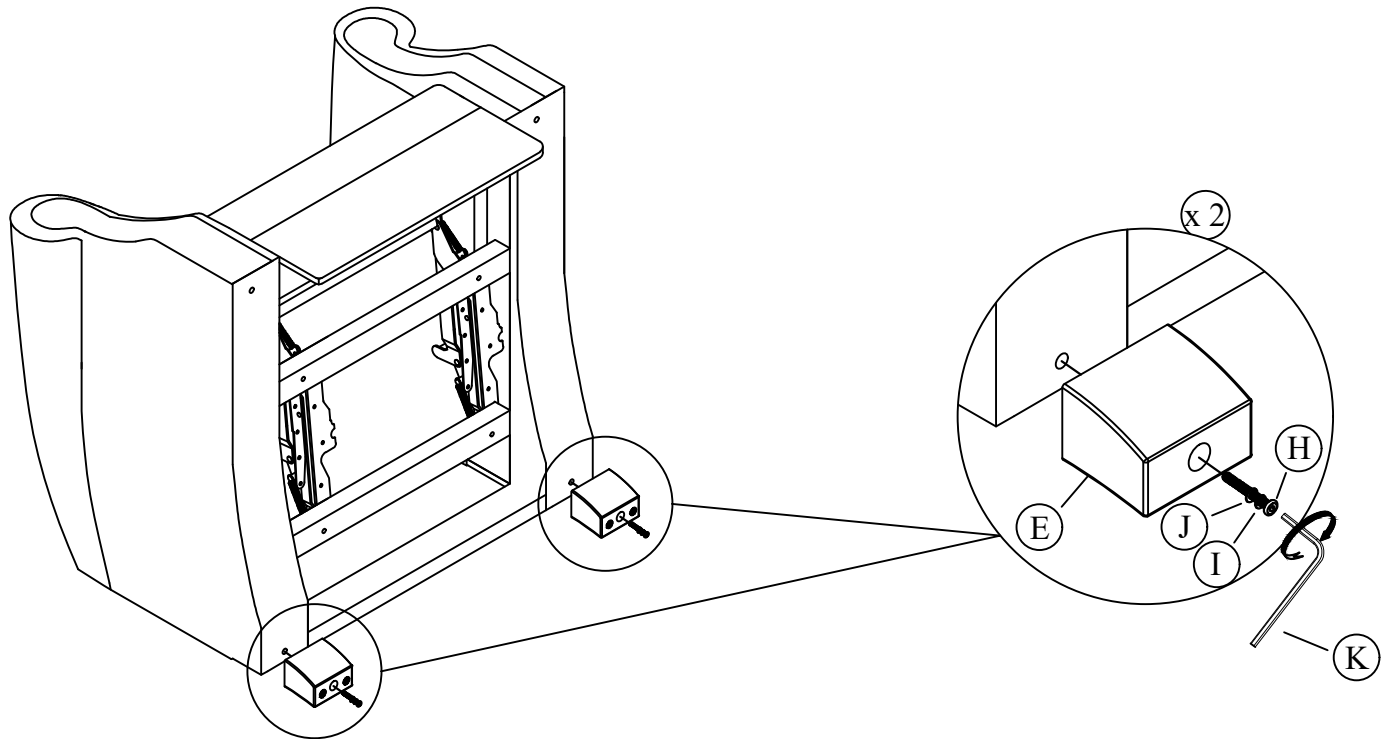
X 1 HEX WRENCH



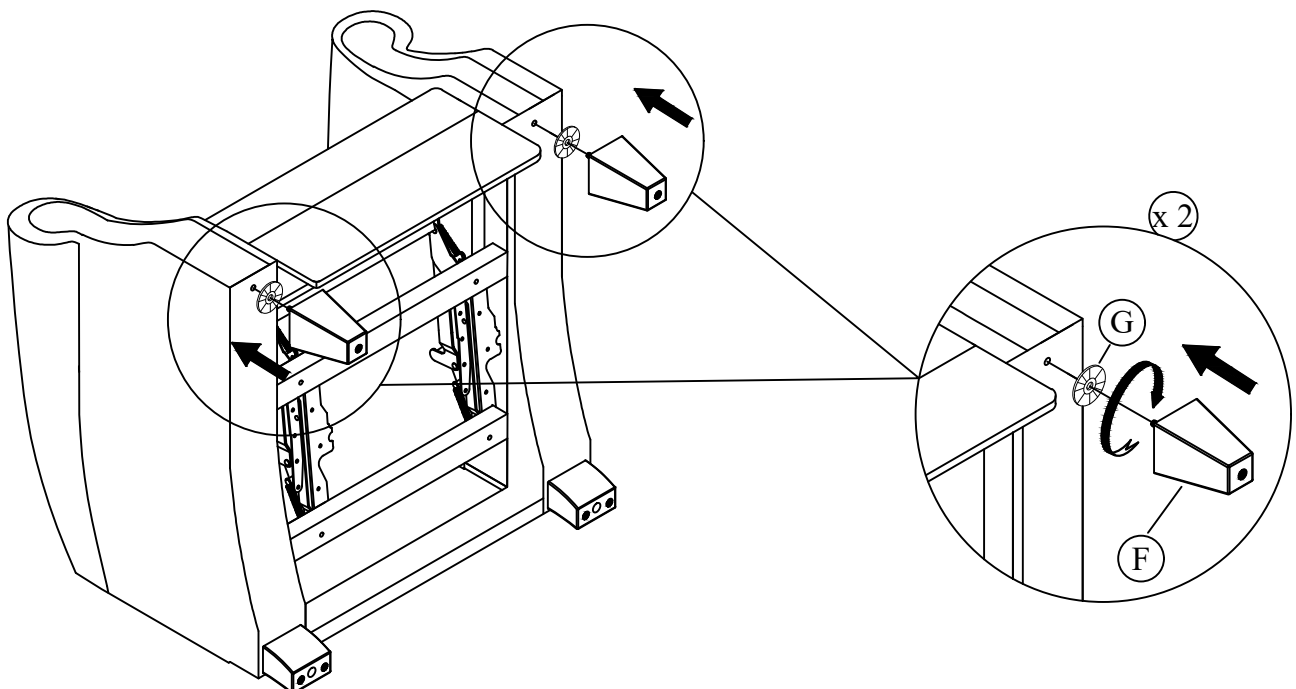
Assembly

YOUR PUSH BACK RECLINER MELANGE 1957 CHARCOAL REQUIRES ASSEMBLY BEFORE INITIAL USE.

Step 1 / Étape 1/ Paso 1



Step 2 / Étape 2/ Paso 2

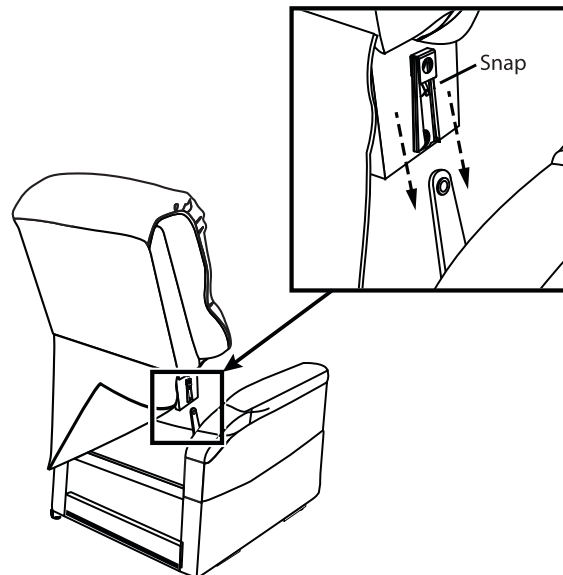


ATTACHING THE CHAIR BACK TO SEAT FRAME

1. Align back brackets with mechanism posts.
2. Push firmly on the top of the back to lock into position. You must hear a snap from each side of the chair to ensure the back is locked in properly.
3. Attach the chair back to the hook-and-loop flaps on the bottom of the chair base.

NOTE: Pull up on the chair back to ensure that it is locked in place.

Step 3 / Étape 3/ Paso 3



ATTACHING THE CHAIR WINGS TO THE CHAIR BACK

1. Slide the metal inserts on the chair's wings into the metal sleeves on the side of the chair back.
2. Slide the wings down until they are firmly set on chair back.

Step 4 / Étape 4/ Paso 4

