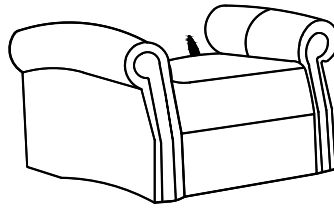




Component of chair / Composant de chaise / Componente de la silla

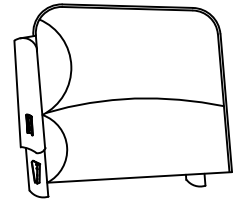
ITEM NO. / ARTICLE NO. / ARTICULONO: B030-008-1036

DESCRIPTION / DESCRIPCIÓN: PUSH BACK RECLINER MELANGE 1957 CREAM / FAUTEUIL DECORATIFS / SILLA DECORATIVA



(A)

X 1 SEAT ARM\*



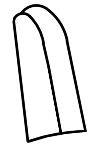
(B)

X 1 BACK ARM\*



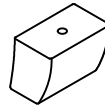
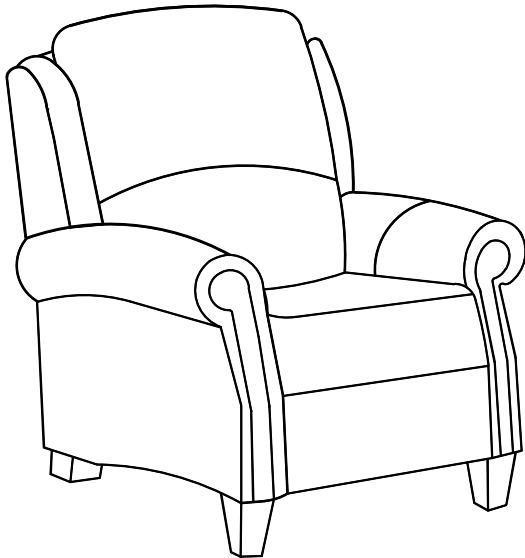
(C)

X 1 RIGHT ARM\*



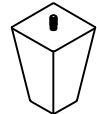
(D)

X 1 LEFT ARM\*



(E)

X 2 LEGS BACK ARM\*



(F)

X 2 LEGS FRONT ARM\*



(G)

X 2 PLASTIC ARM\*



(H)

X 2 BOLT M8x55MM



(I)

X 2 SPRING WASHER



(J)

X 2 FLAT WASHER

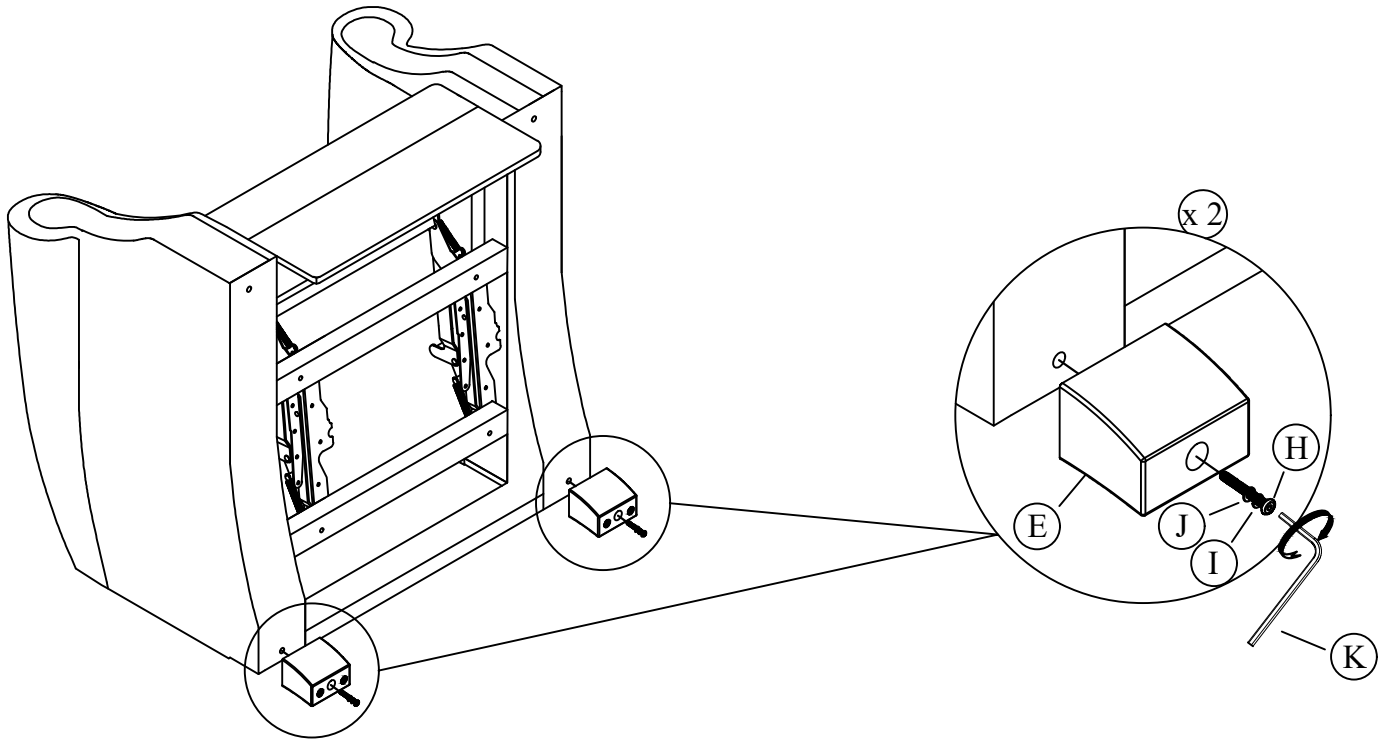


(K)

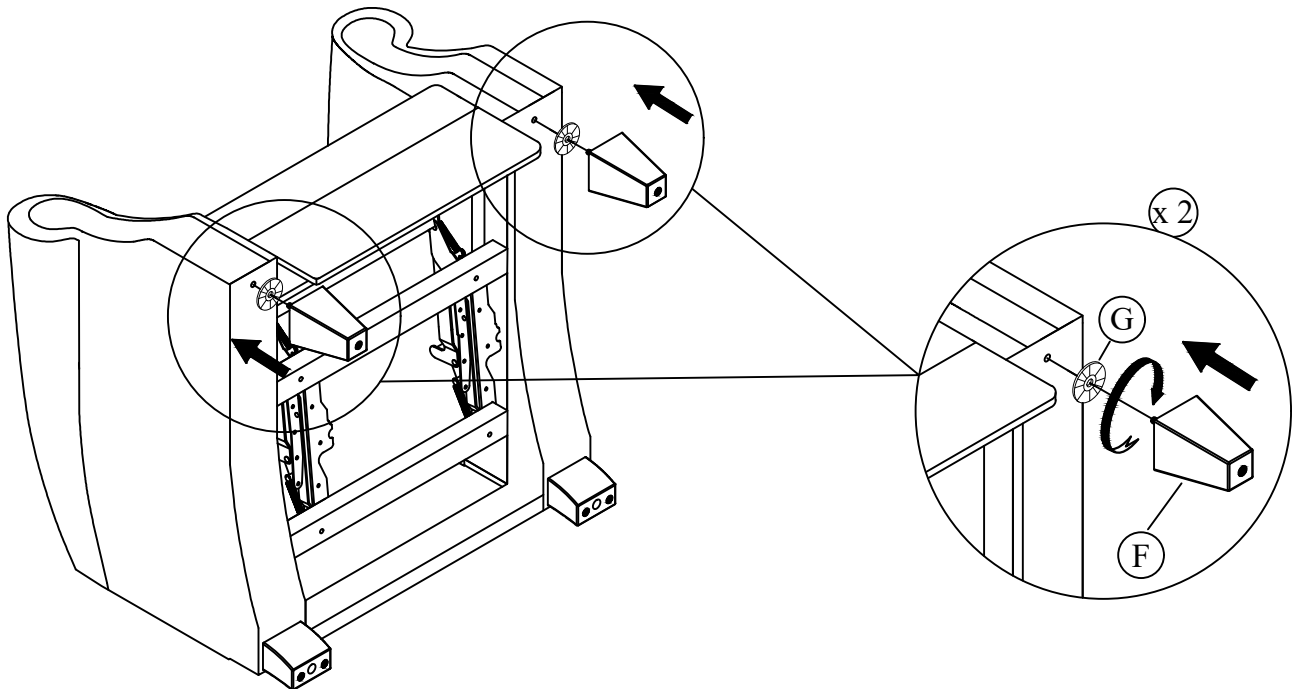
X 1 HEX WRENCH



Step 1 / Étape 1/ Paso 1



Step 2 / Étape 2/ Paso 2



---

# Assembly

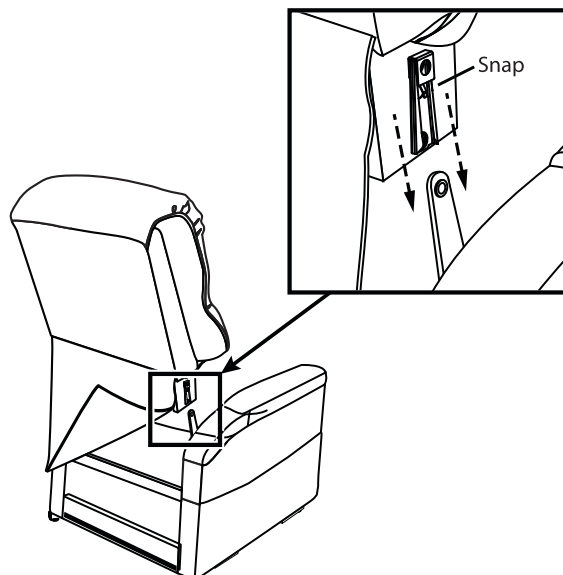
---

Your push back recliner Melange 1957 Cream requires assembly before initial use.

## PUSH BACK RECLINER MELANGE 1957 CREAM SETUP

1. Align back brackets with mechanism posts.
2. Push firmly on the top of the back to lock into position. You must hear a snap from each side of the chair to ensure the back is locked in properly.
3. Attach the chair back to the hook-and-loop flaps on the bottom of the chair base.

**NOTE:** Pull up on the chair back to ensure that it is locked in place.



## ATTACHING THE CHAIR WINGS TO THE CHAIR BACK

**STEP 1:** Slide the metal inserts on the chair's wings into the metal sleeves on the side of the chair back.

**STEP 2:** Slide the wings down until they are firmly set on chair back.

