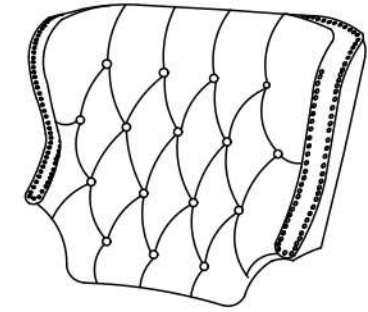
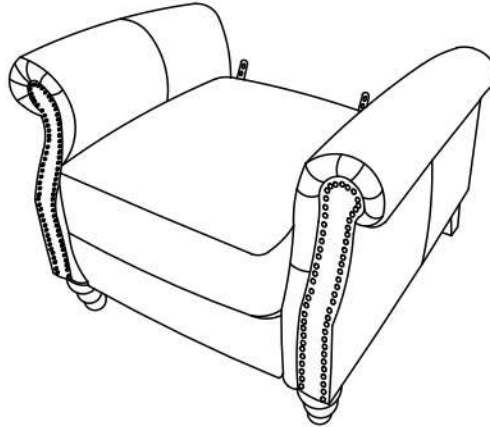
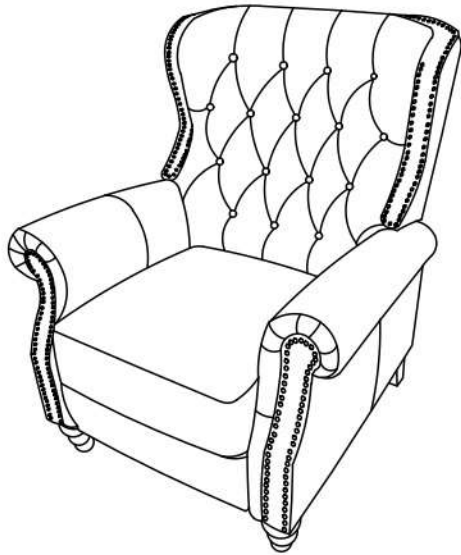


# PARTS LIST / LISTE DES PIÈCES / LISTA DE PIEZAS

ITEM NO. / ARTICLE NO. / ARTICULO NO : A836-008-876

DESCRIPTION/LA DESCRIPTION/DESCRIPCIÓN: Push back recliner  
Fauteuil inclinable  
Empujar hacia atrás el sillón reclinable

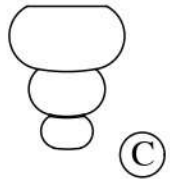


(A)

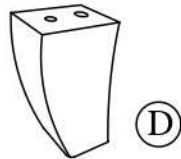
x1 Chair base (seat)  
x1 Chaise base (sièges)  
x1 Silla de base (asientos)

(B)

x1 Chair Back  
x1 Dossier de Chaise  
x1 Espalda de Silla



x2 Front Leg \*  
x2 Jambe de Face  
x2 Pierna Delantera



x2 Back Leg \*  
x2 Jambe Arrière  
x2 Pierna Espalda



x4 Bolt \*  
x4 Boulon  
x4 Perno  
M8\*90mm



x4 Flat Washer \*  
x4 Rondelle Plate  
x4 Arandela Plana  
M8\*16mm\*2mm



x4 Plug \*  
x4 Bouchon  
x4 Tapón  
Ø30\*20mm



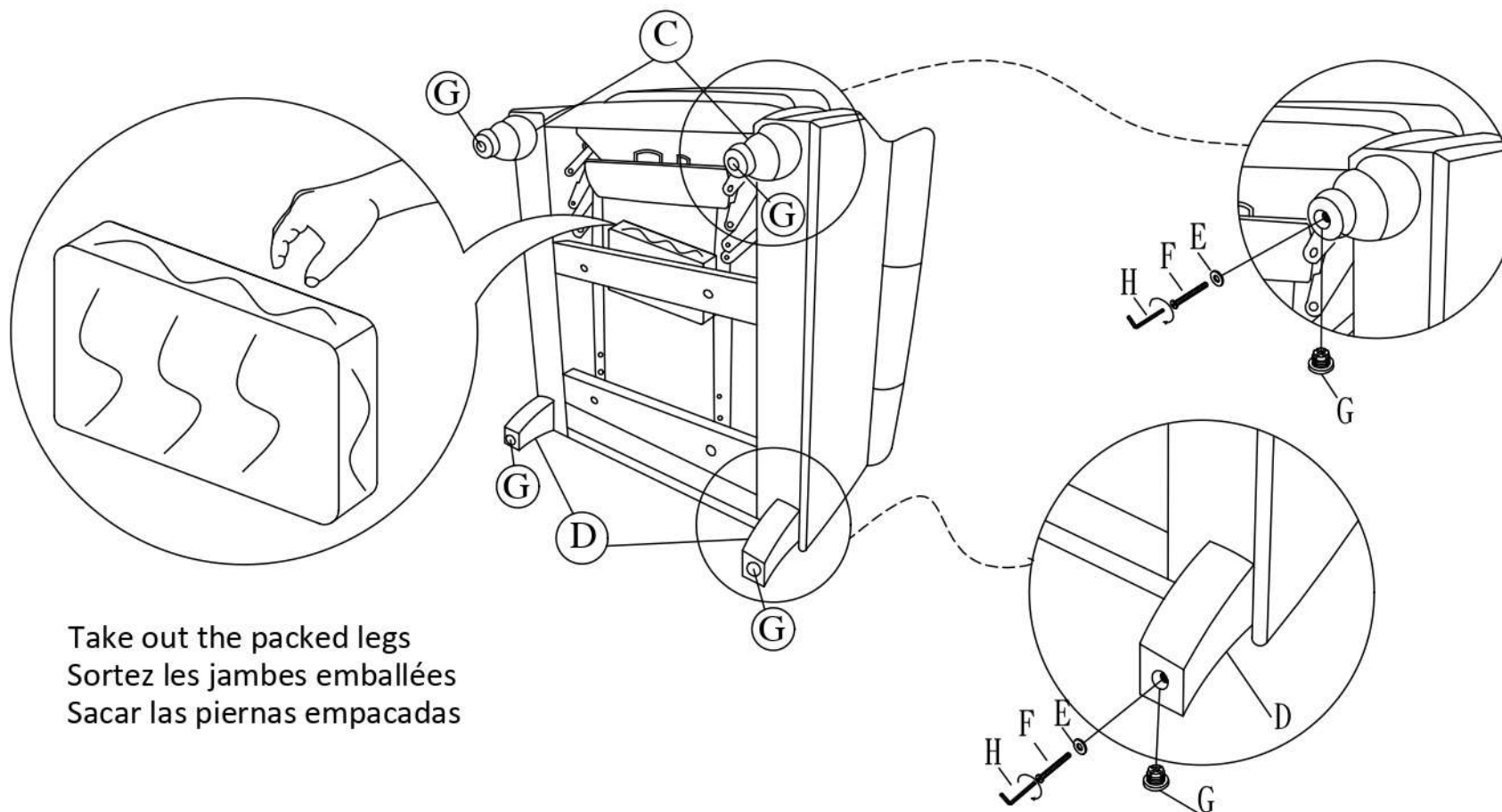
x1 Allen Key \*  
x1 Clé hexagonale  
x1 Llave Allen  
M5\*100\*38mm

\* Replaceable Parts/Pièces Remplaçables/Piezas Reemplazables

ASSEMBLY INSTRUCTIONS / NOTICE DE MONTAGE / INSTRUCCIONES DE MONTAJE

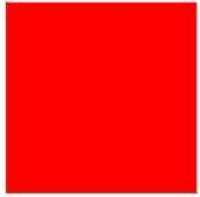
ITEM NO. / ARTICLE NO. / ARTICULO NO : A836-008-876

DESCRIPTION/LA DESCRIPTION/DESCRIPCIÓN: Push back recliner  
Fauteuil inclinable  
Empujar hacia atrás el sillón reclinable



Take out the packed legs  
Sortez les jambes emballées  
Sacar las piernas empacadas

\* *Replaceable Parts/Pièces Remplaçables/Piezas Reemplazables*

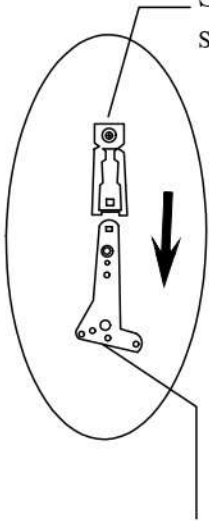


ASSEMBLY INSTRUCTIONS / NOTICE DE MONTAGE / INSTRUCCIONES DE MONTAJE

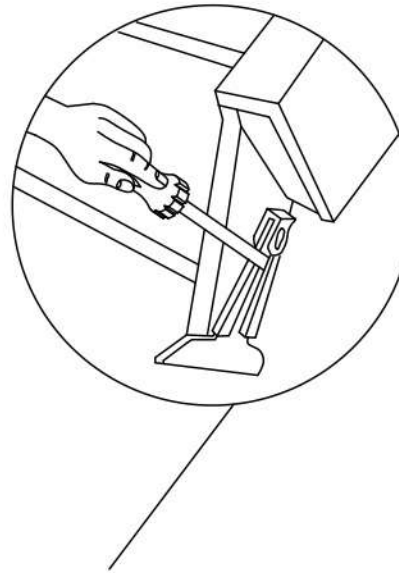
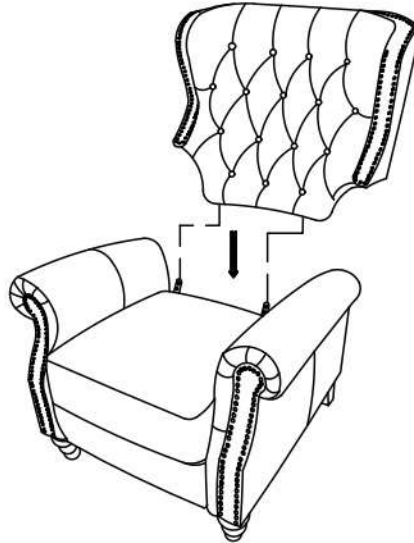
ITEM NO. / ARTICLE NO. / ARTICULO NO : A836-008-876

DESCRIPTION/LA DESCRIPTION/DESCRIPCIÓN: Push back recliner  
Fauteuil inclinable  
Empujar hacia atrás el sillón reclinable

Back reciever brackets  
Supports arrière  
soportes de recepción trasera

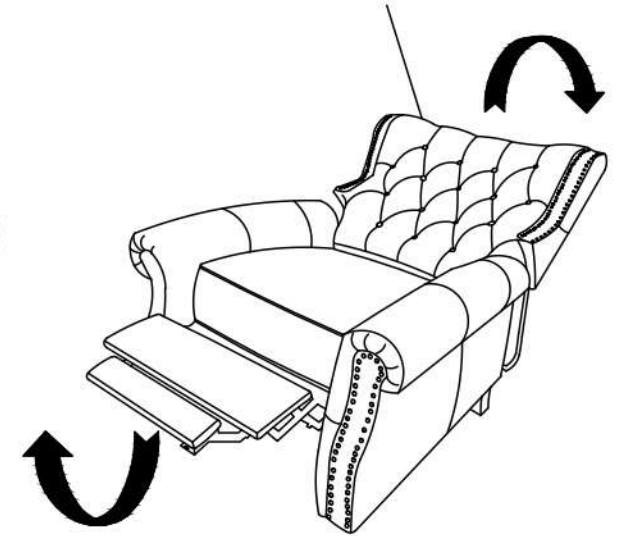


Steel mechanism posts  
Lisser la tige male  
Suavizar lavarilla macho



To remove the inside backs, use a screwdriver pressing outward on the black tab in the metal sleeve  
Pour enlever le dossier, utiliser un tournevis et pousser vers l'extérieur sur la languette noire à l'intérieur de la gaine métallique  
Para quitar la parte posterior interna use un destornillador y presione hacia afuera en la pestaña negra del manguito de metal

Push chair back to recline.  
Pousser le fauteuil vers l'arrière pour l'incliner.  
Empuje la silla hacia atrás para reclinarse.



\* *Replaceable Parts/Pièces Remplaçables/Piezas Reemplazables*

## **Protect Your Wood or Laminate Flooring**

\*This statement applies to any floor without carpet.

If not careful, all furniture including upholstery and case pieces can scratch, scuff and even gouge floors. The recommendation is to have felt, rubber pads or area rugs under furniture on flooring without carpet.

### **Moving your furniture**

Pushing and dragging furniture over floors without carpet can lead to scratches and scuffs. Have someone help when moving the larger pieces of furniture by lifting, try using a dolly or moving pads.

### **Felt and rubber pads**

Applying furniture pads to the feet of furniture helps cushion contact points. Furniture pads can be found at local hardware stores. Felt pads slide easily across the floor, making them ideal for dining chairs and other pieces that move with use. Rubber pads will help furniture stay in place and are perfect for larger pieces, like sofas and loveseats.

### **Area rugs and rug pads**

Using an area rug under furniture is another way to protect your floor from scratches and scuff marks. A rug pad under the area rug will provide extra cushion and added protection.