

# POWER LEATHER SOFA WITH POWER HEADREST Model A136

## ASSEMBLY INSTRUCTIONS IMPORTANT, RETAIN FOR FUTURE REFERENCE: READ CAREFULLY.

### Care and Cleaning

Dust often and use a vacuum cleaner crevice tool to clean seams. To maintain the fabric appearance, gently clean soiled areas with a soft cloth dampened with a mild, water based detergent. Remove all lather and wipe with a clean, damp cloth. Dry with another soft cloth by blotting the damp surface (do not rub).

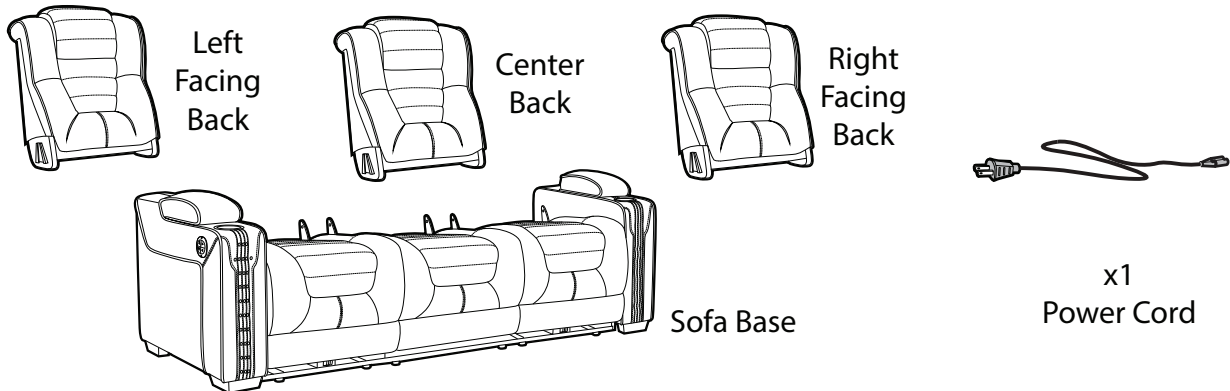
**Spot Cleaning Fabric:** Blot any spills immediately; do not rub. Blot away the excess liquid with a clean, dry, white cloth; turning the cloth frequently.

**Do not** use common household cleaners, solvents, or dry cleaning fluids on fabric furniture. These cleaners may cause damage.

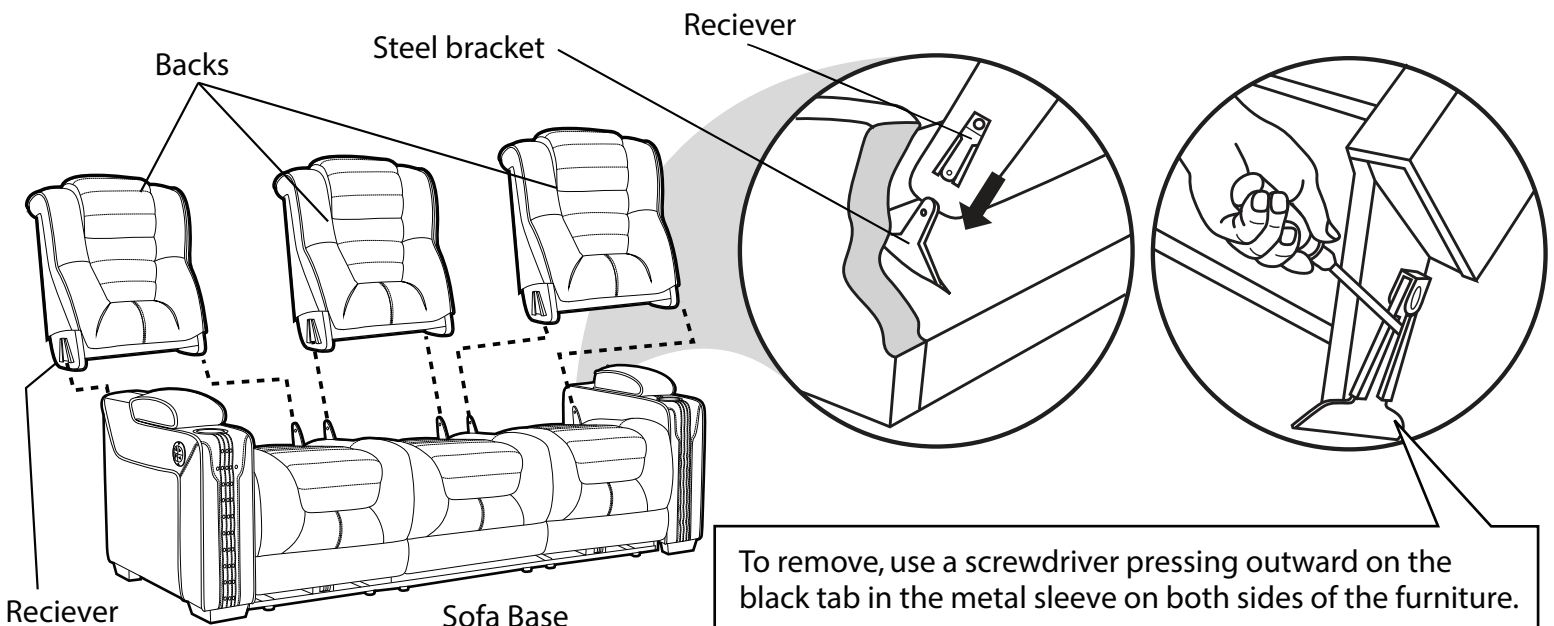
**Do not** use or place sharp objects on upholstered furniture.

**Do not** place furniture in direct sunlight and keep furniture at least 60 cm / 2 ft from heat sources to avoid fading.

### Contents of Cartons



### Assembly of Sofa

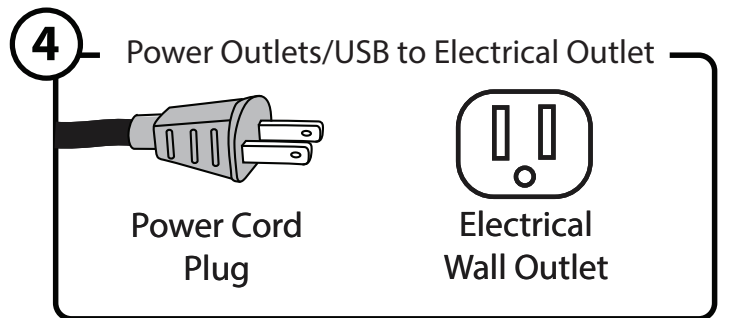
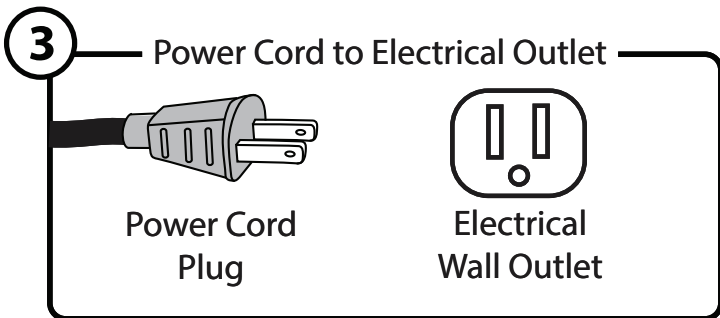
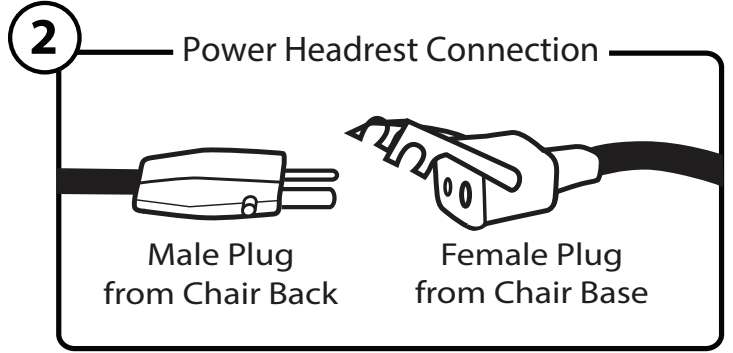
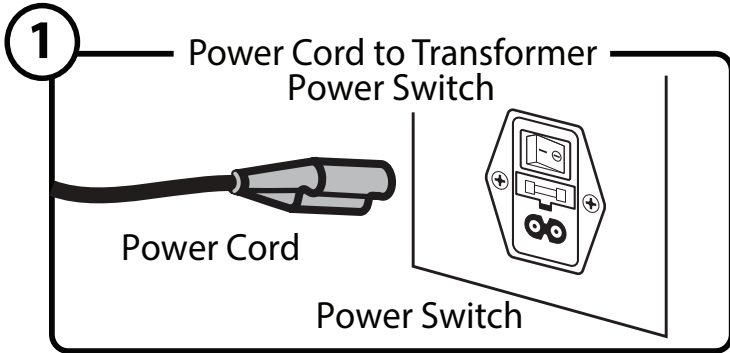
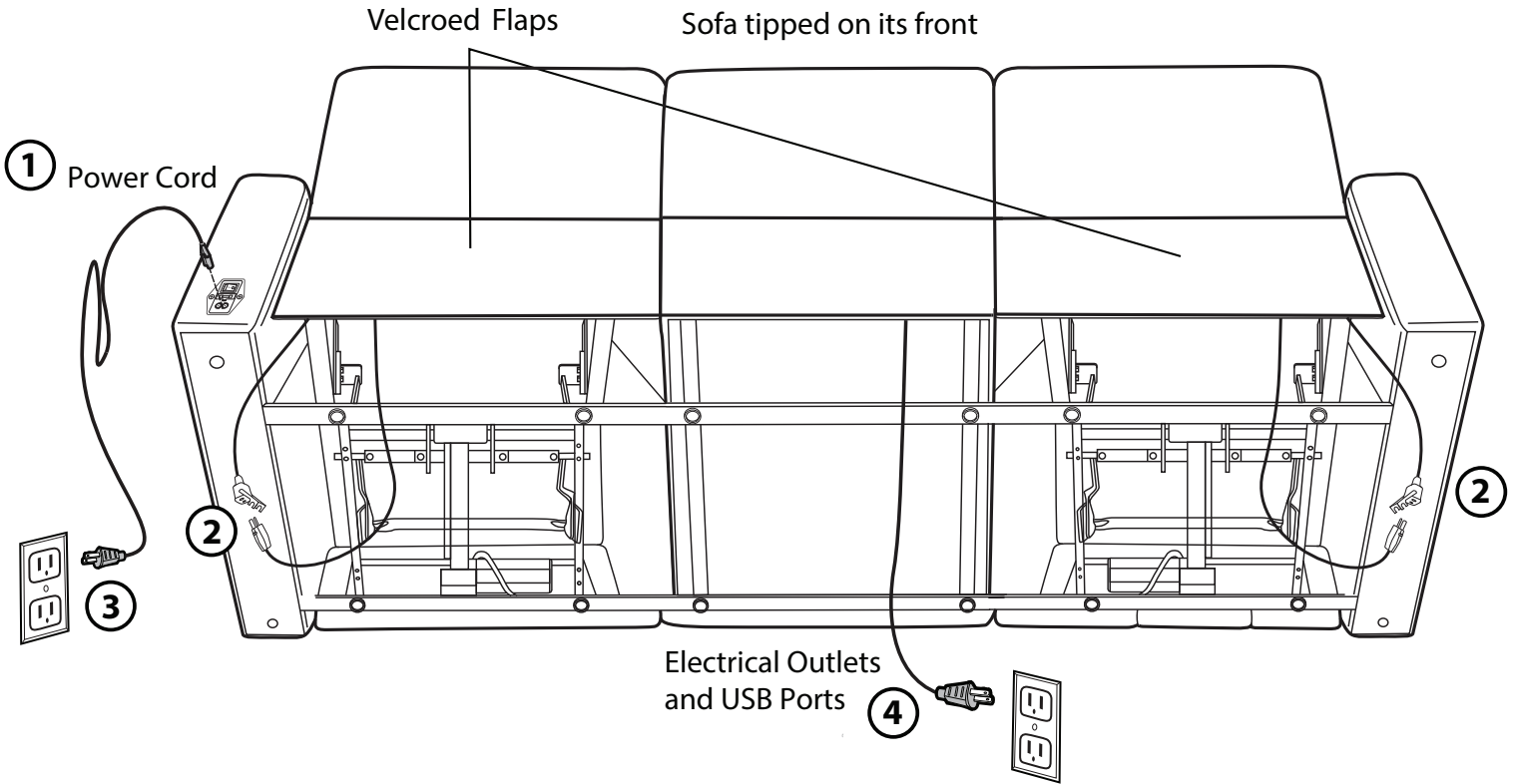


# POWER LEATHER SOFA WITH POWER HEADREST

## Model A136

### ASSEMBLY INSTRUCTIONS

#### Electrical Connections

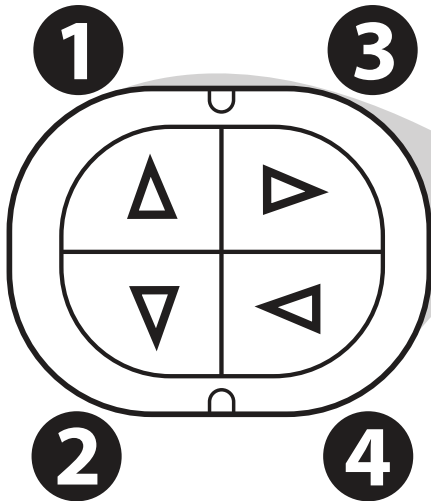
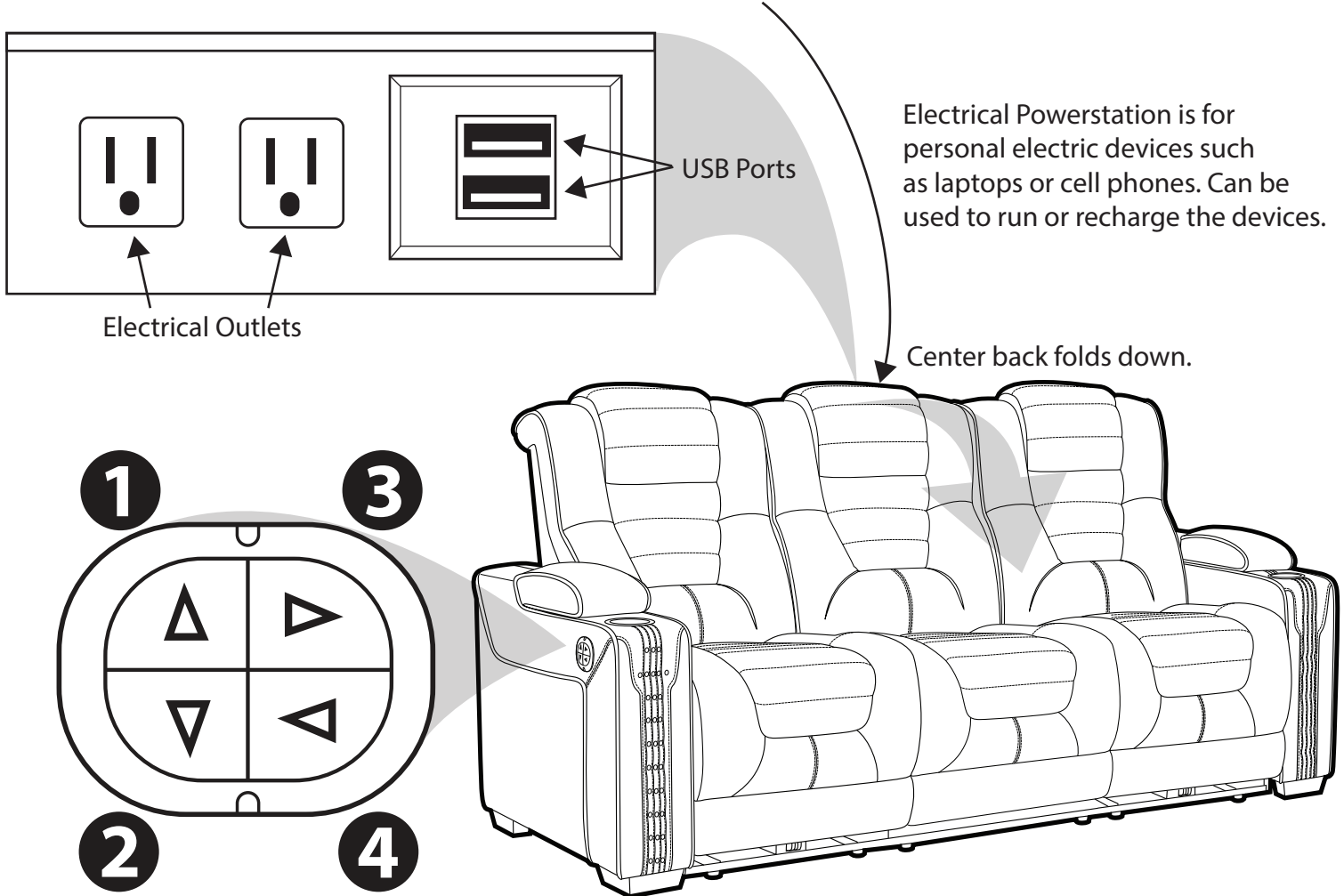


# POWER LEATHER SOFA WITH POWER HEADREST Model A136

## ASSEMBLY INSTRUCTIONS

### Electrical Controls

Center seat back folds down to reveal table, cupholders and an electrical power station.



- 1** Press this button to raise the headrest up or forward.
- 2** Press this button to lower the headrest back or down.
- 3** Press this button to recline the chair to your desired position.
- 4** Press this button to raise the chair to the upright seated position.