

POWER FABRIC RECLINER WITH POWER HEADREST AND BLUETOOTH Model A136

ASSEMBLY INSTRUCTIONS

IMPORTANT, RETAIN FOR FUTURE REFERENCE: READ CAREFULLY.

Care and Cleaning

Dust often and use a vacuum cleaner crevice tool to clean seams. To maintain the fabric appearance, gently clean soiled areas with a soft cloth dampened with a mild, water based detergent. Remove all lather and wipe with a clean, damp cloth. Dry with another soft cloth by blotting the damp surface (do not rub).

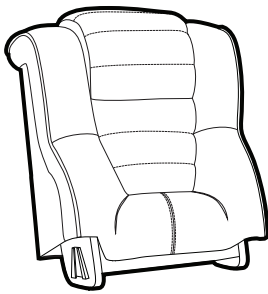
Spot Cleaning Fabric: Blot any spills immediately; do not rub. Blot away the excess liquid with a clean, dry, white cloth; turning the cloth frequently.

Do not use common household cleaners, solvents, or dry cleaning fluids on fabric furniture. These cleaners may cause damage.

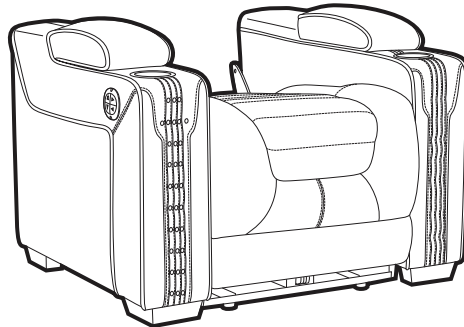
Do not use or place sharp objects on upholstered furniture.

Do not place furniture in direct sunlight and keep furniture at least 60 cm / 2 ft from heat sources to avoid fading.

Contents of Cartons



Chair Back

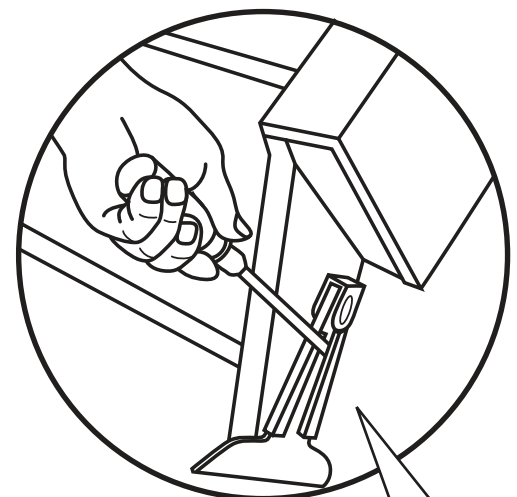
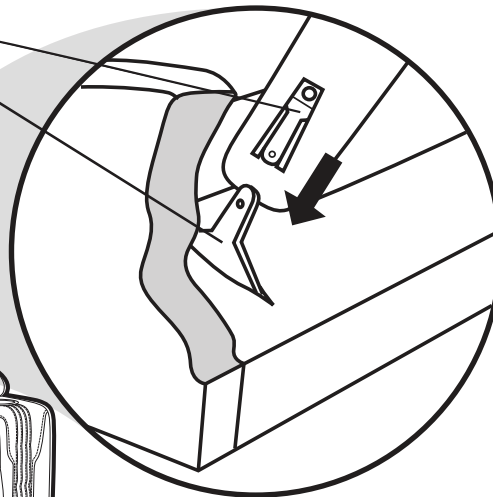
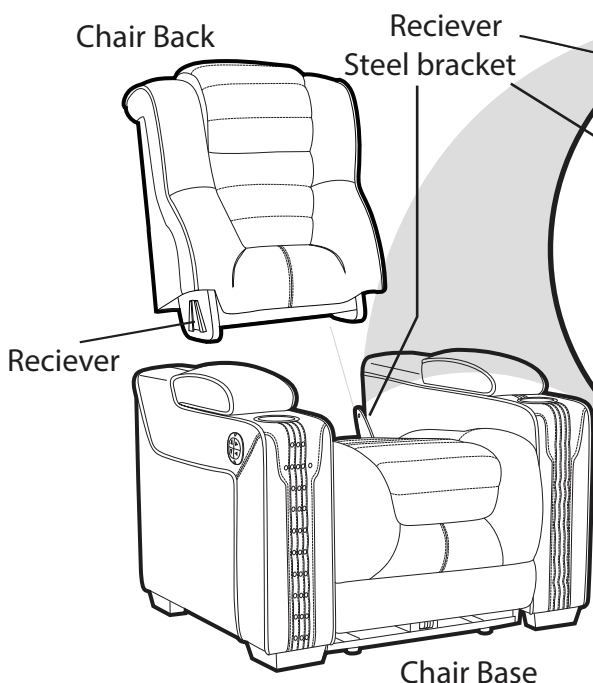


Chair Base



Power Cord

Assembly of Chair



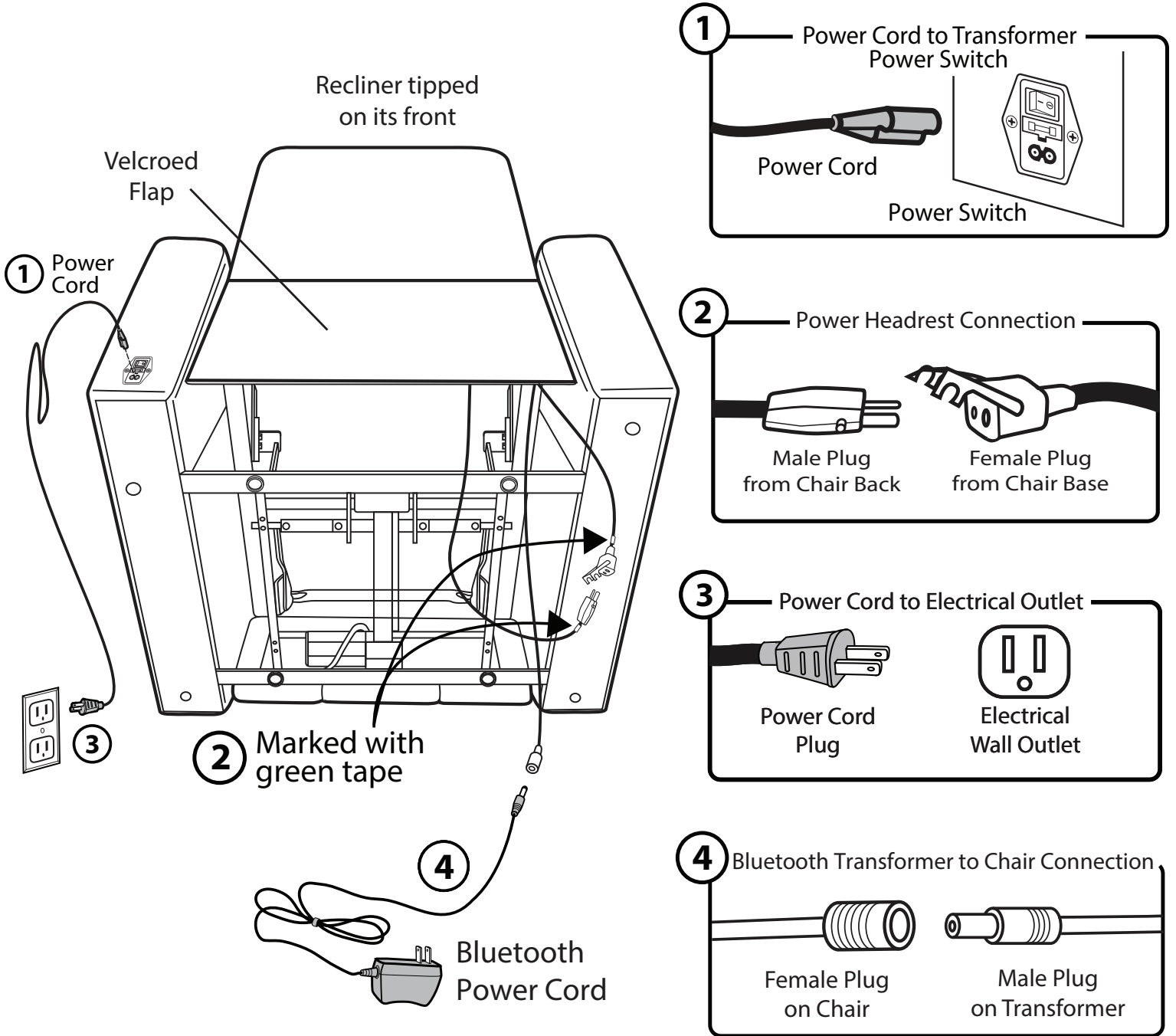
To remove, use a screwdriver pressing outward on the black tab in the metal sleeve on both sides of the furniture.

POWER FABRIC RECLINER WITH POWER HEADREST AND BLUETOOTH MODEL A136

ASSEMBLY INSTRUCTIONS

Electrical Connections

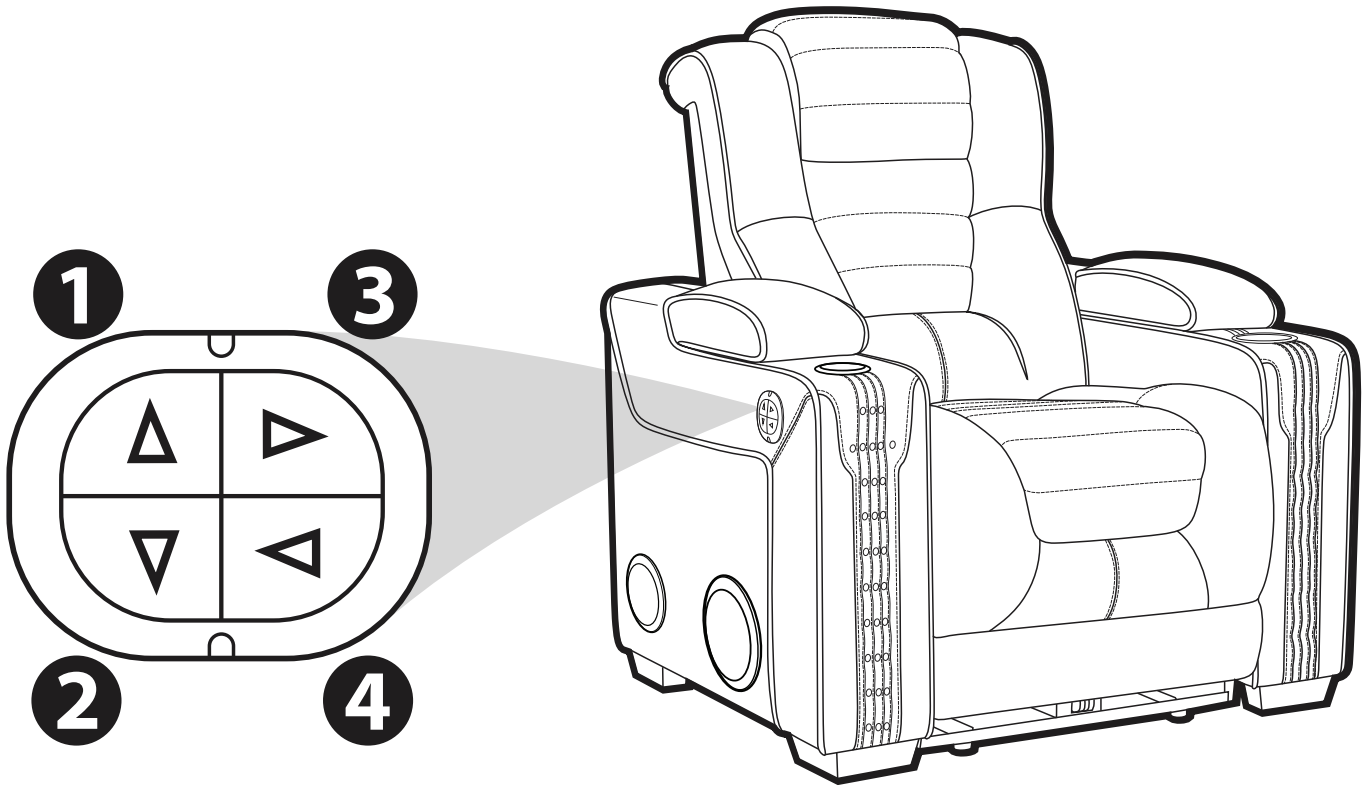
NOTE: The Power Transformer and Power Cord are located under the chair in a separate box.



POWER FABRIC RECLINER WITH POWER HEADREST AND BLUETOOTH Model A136

ASSEMBLY INSTRUCTIONS

Electrical Controls



- 1** Press this button to raise the headrest up or forward.
- 2** Press this button to lower the headrest back or down.
- 3** Press this button to recline the chair to your desired position.
- 4** Press this button to raise the chair to the upright seated position.


POWER FABRIC WITH POWER HEADREST AND BLUETOOTH Model A136

ASSEMBLY INSTRUCTIONS

Bluetooth Controls

NOTE: Have your Bluetooth device (phone, tablet, mp3 player, etc.) turned on before starting.

STEP 1: Press the POWER  button. Button will glow red.

STEP 2: Press and hold the POWER  button. The other buttons will glow blue. The Power button will blink red. This indicates the system is searching for an available Bluetooth signal.

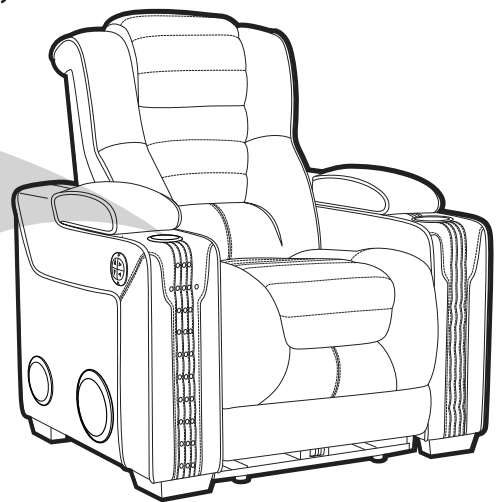
STEP 3: Tap the settings button on the phone, tablet, mp3 player etc. Tap on the Bluetooth setting. When your device finds the chairs system the name will appear on your device as eMoMo. If required, enter password 0000. The chair will give a signal sound to indicate the pairing was successful.






STEP 4: Lightly press the POWER  button to begin play or stop of an audio file.

STEP 5: Press the POWER  button for 2 seconds to turn the system off



Bluetooth Controls
(viewed as if sitting in chair)



-  Power On/Off, Play/Stop
-  Fast Forward/Next Track
-  Rewind/Previous Track
-  Increase Volume
-  Decrease Volume