

POWER FABRIC RECLINER WITH POWER HEADREST

Model A136

ASSEMBLY INSTRUCTIONS

IMPORTANT, RETAIN FOR FUTURE REFERENCE: READ CAREFULLY.

Care and Cleaning

Dust often and use a vacuum cleaner crevice tool to clean seams. To maintain the fabric appearance, gently clean soiled areas with a soft cloth dampened with a mild, water based detergent. Remove all lather and wipe with a clean, damp cloth. Dry with another soft cloth by blotting the damp surface (do not rub).

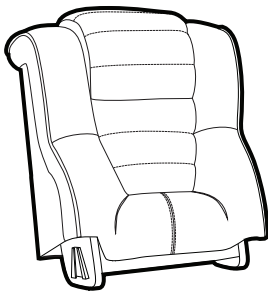
Spot Cleaning Fabric: Blot any spills immediately; do not rub. Blot away the excess liquid with a clean, dry, white cloth; turning the cloth frequently.

Do not use common household cleaners, solvents, or dry cleaning fluids on fabric furniture. These cleaners may cause damage.

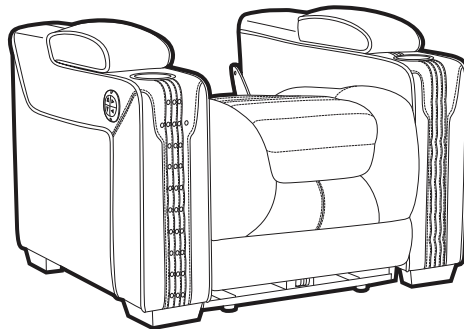
Do not use or place sharp objects on upholstered furniture.

Do not place furniture in direct sunlight and keep furniture at least 60 cm / 2 ft from heat sources to avoid fading.

Contents of Cartons



Chair Back

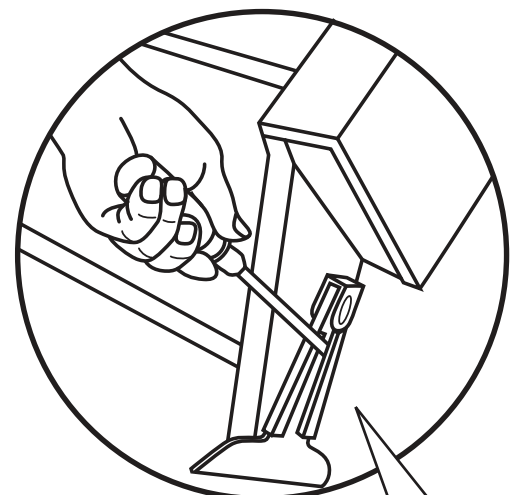
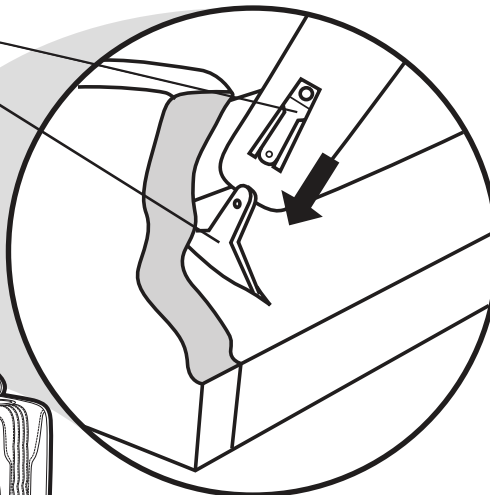
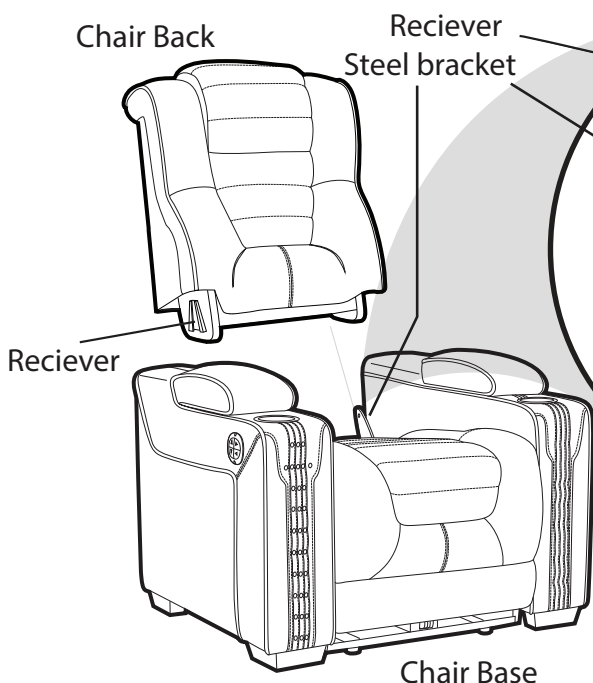


Chair Base



Power Cord

Assembly of Chair



To remove, use a screwdriver pressing outward on the black tab in the metal sleeve on both sides of the furniture.

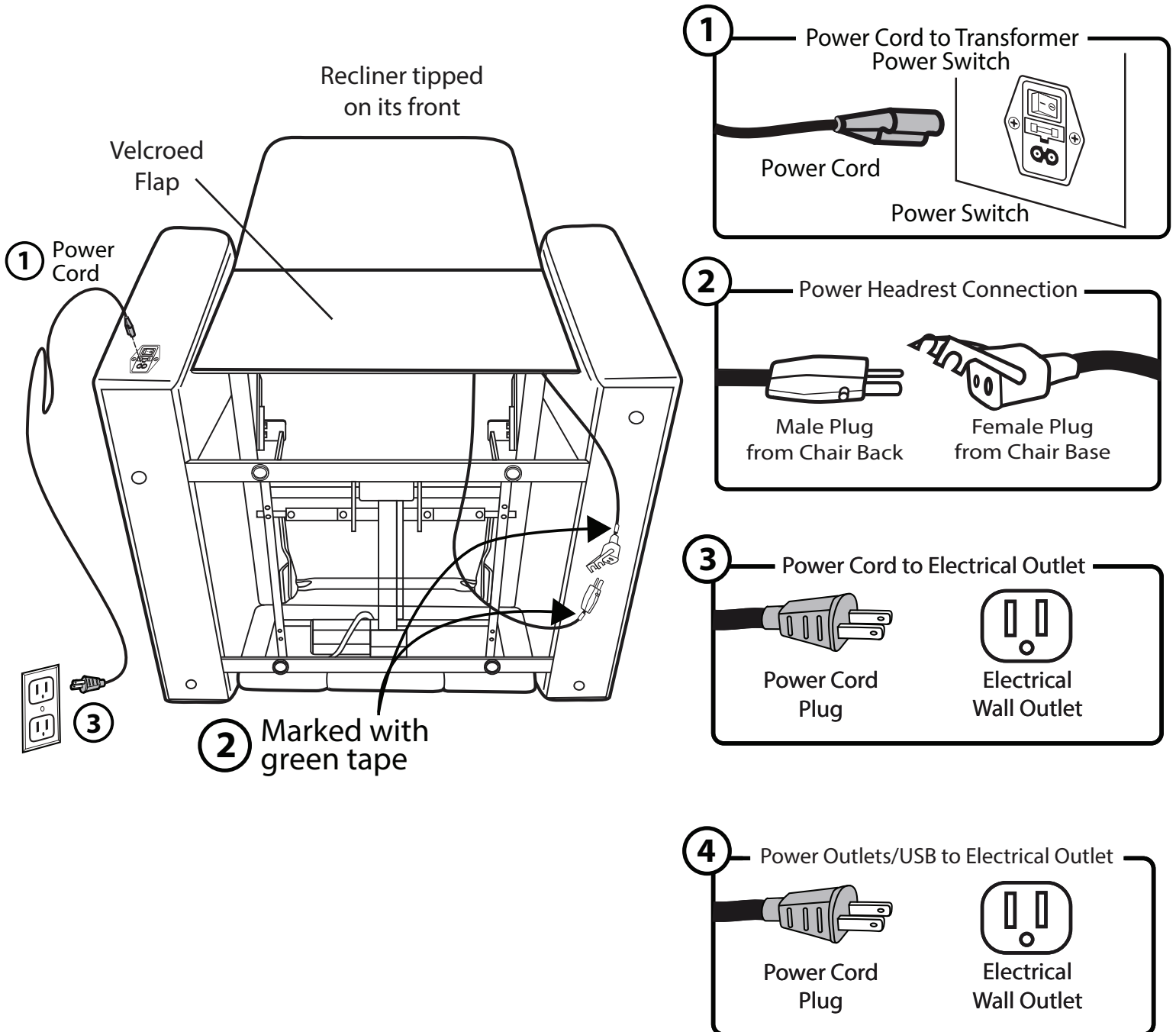
POWER FABRIC RECLINER WITH POWER HEADREST

Model A136

ASSEMBLY INSTRUCTIONS

Electrical Connections

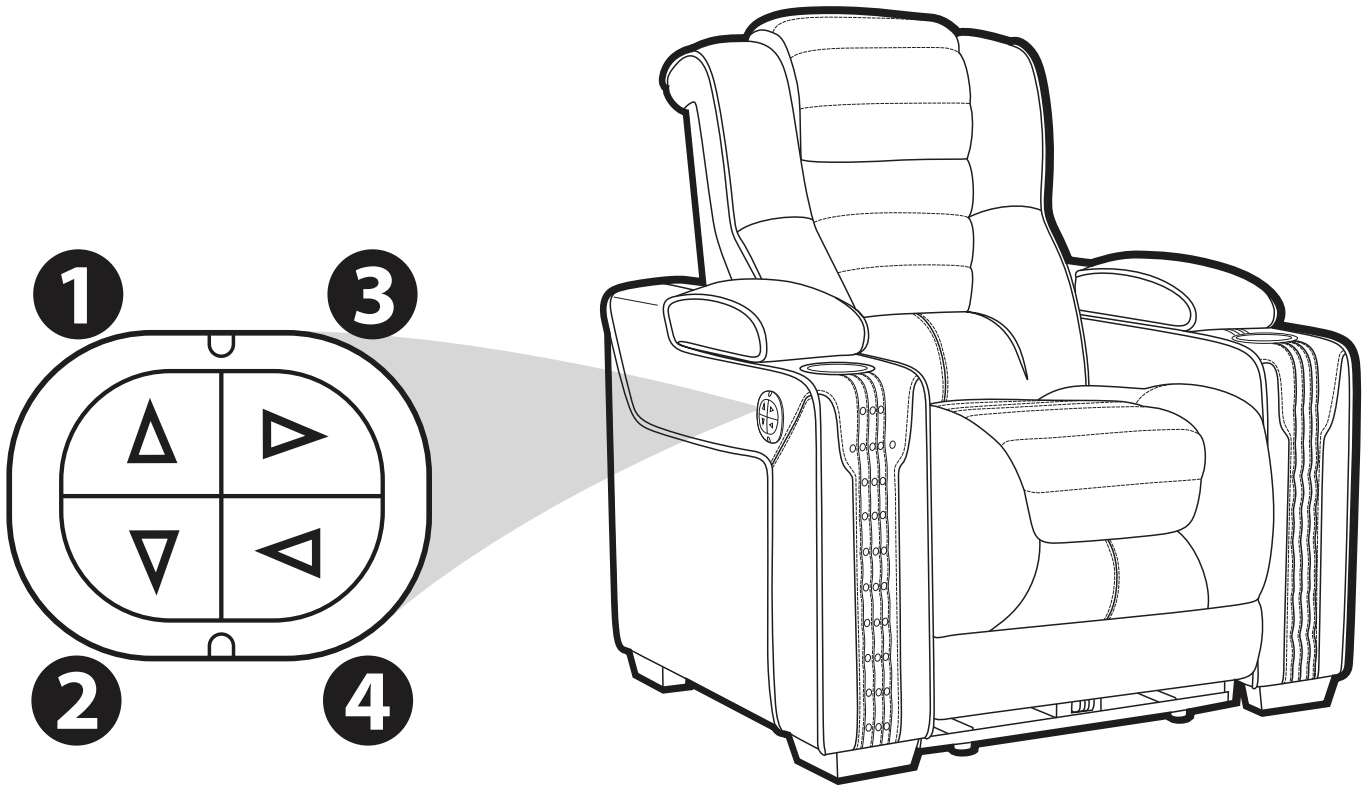
NOTE: The Power Transformer and Power Cord are located under the chair in a separate box.



POWER FABRIC RECLINER WITH POWER HEADREST Model A136

ASSEMBLY INSTRUCTIONS

Electrical Controls



- 1** Press this button to raise the headrest up or forward.
- 2** Press this button to lower the headrest back or down.
- 3** Press this button to recline the chair to your desired position.
- 4** Press this button to raise the chair to the upright seated position.