

Cheyenne Fabric Reclining Group

A044U-062 057 054 096 055 063-370

**IMPORTANT, RETAIN FOR FUTURE REFERENCE: READ CAREFULLY.
FOR DOMESTIC INDOOR USE ONLY.**

Care and Cleaning

Dust often and use a vacuum cleaner crevice tool to clean seams. To maintain the fabric appearance, gently clean soiled areas with a soft cloth dampened with a mild, water based detergent. Remove all lather and wipe with a clean, damp cloth. Dry with another soft cloth by blotting the damp surface (do not rub).

Spot Cleaning Fabric

Blot any spills immediately; do not rub. Blot away the excess liquid with a clean, dry, white cloth; turning the cloth frequently.

Do not use common household cleaners, solvents, or dry cleaning fluids on fabric furniture. These cleaners may cause damage.

Do not use or place sharp objects on fabric furniture.

Do not place furniture in direct sunlight and keep furniture at least 60 cm/2 ft from heat sources to avoid fading.

This Class B digital device complies to part 15 of the FCC rules.

Operation is subject to the following two conditions: (1) this device may not cause interference, and (2) this device must accept any interference, including interference that may cause undesired operation of the device.

This equipment has been tested and found to comply with the limits for Class B digital device, pursuant to part 15 of the FCC Rules. These limits are designed to provide reasonable protection against harmful interference in a residential installation. This equipment generates, uses and can radiate radio frequency energy and, if not installed and used in accordance with the instructions, may cause harmful interference to radio or television reception, which can be determined by turning the equipment off and on. The user is encouraged to try to correct the interference by one or more of the following measures:

- Reorient or relocate the receiving antenna.
- Increase the separation between the equipment and the receiver.
- Connect the equipment in to an outlet on a circuit different from that to which the receiver is connected.
- Consult the dealer or an experienced radio/TV technician for help.

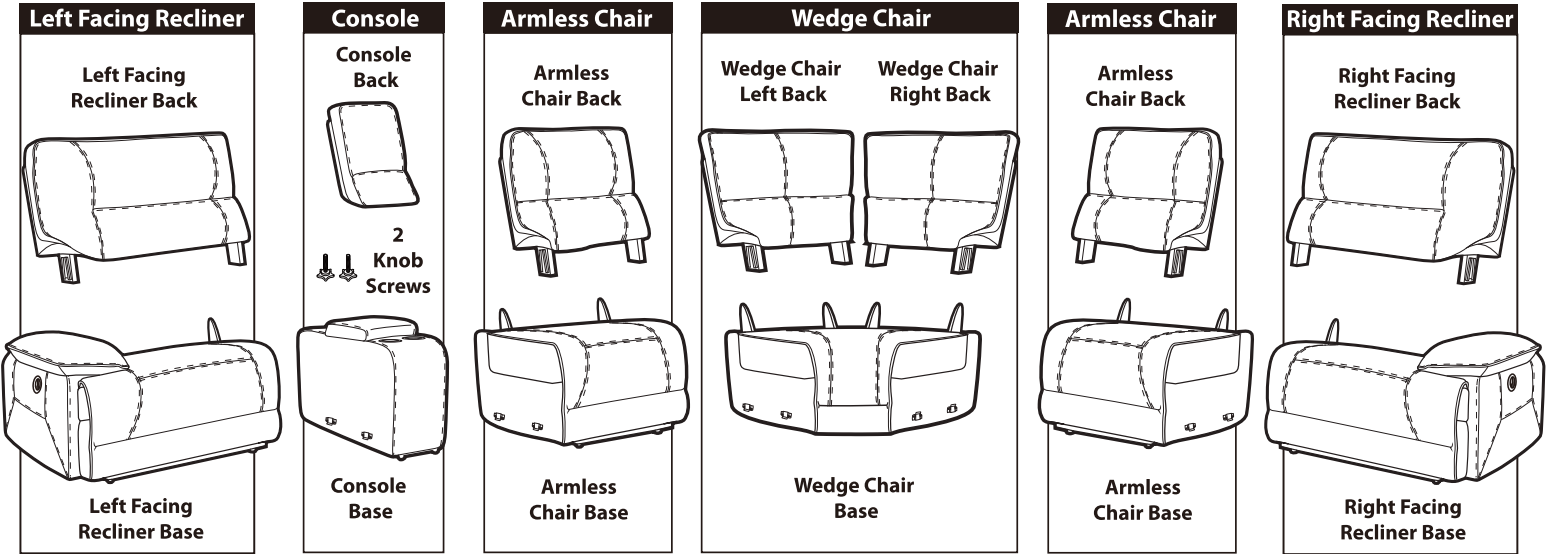
Caution:

Modifications not approved by the party responsible for compliance could void users authority to operate this equipment.

Cheyenne Fabric Reclining Group

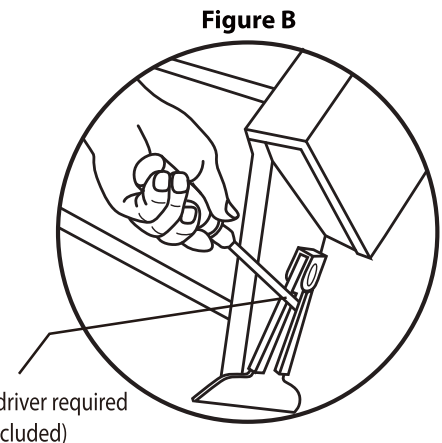
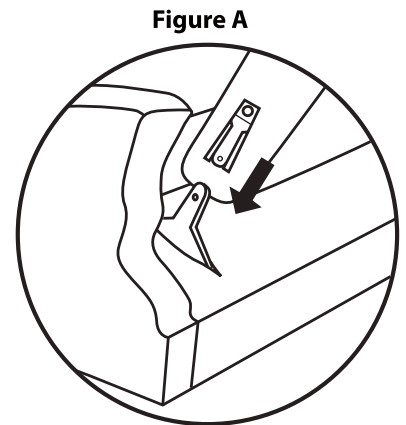
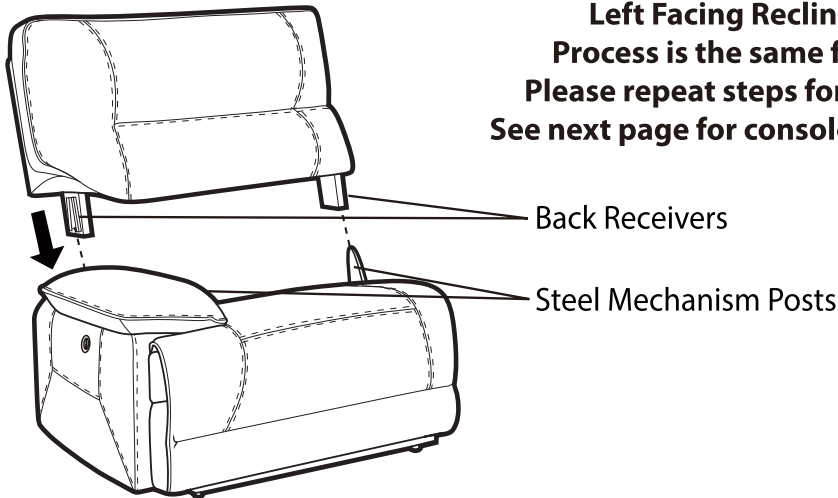
A044U-062 057 054 096 055 063-370

CONTENTS OF CARTONS



ASSEMBLY INSTRUCTIONS

Left Facing Recliner shown.
Process is the same for all chairs.
Please repeat steps for all the chairs.
See next page for console back assembly.



CAUTION: PLEASE READ ALL INSTRUCTIONS CAREFULLY BEFORE STARTING ASSEMBLY PROCESS. IT IS RECOMMENDED TO USE TWO PEOPLE WHEN ASSEMBLING AND REMOVING THE INSIDE BACKS TO AND FROM THE BASE OF THE FURNITURE.

STEP 1: Slide inside back receivers into the steel mechanism posts in the base of the furniture (Figure A).

STEP 2: Press both sides of the inside back firmly into place. The inside back automatically locks into place.

STEP 3: To remove the inside backs, use a screwdriver pressing outward on the black tab in the metal sleeve (Figure B) on both sides of the inside back and lift the inside back from the base of the furniture

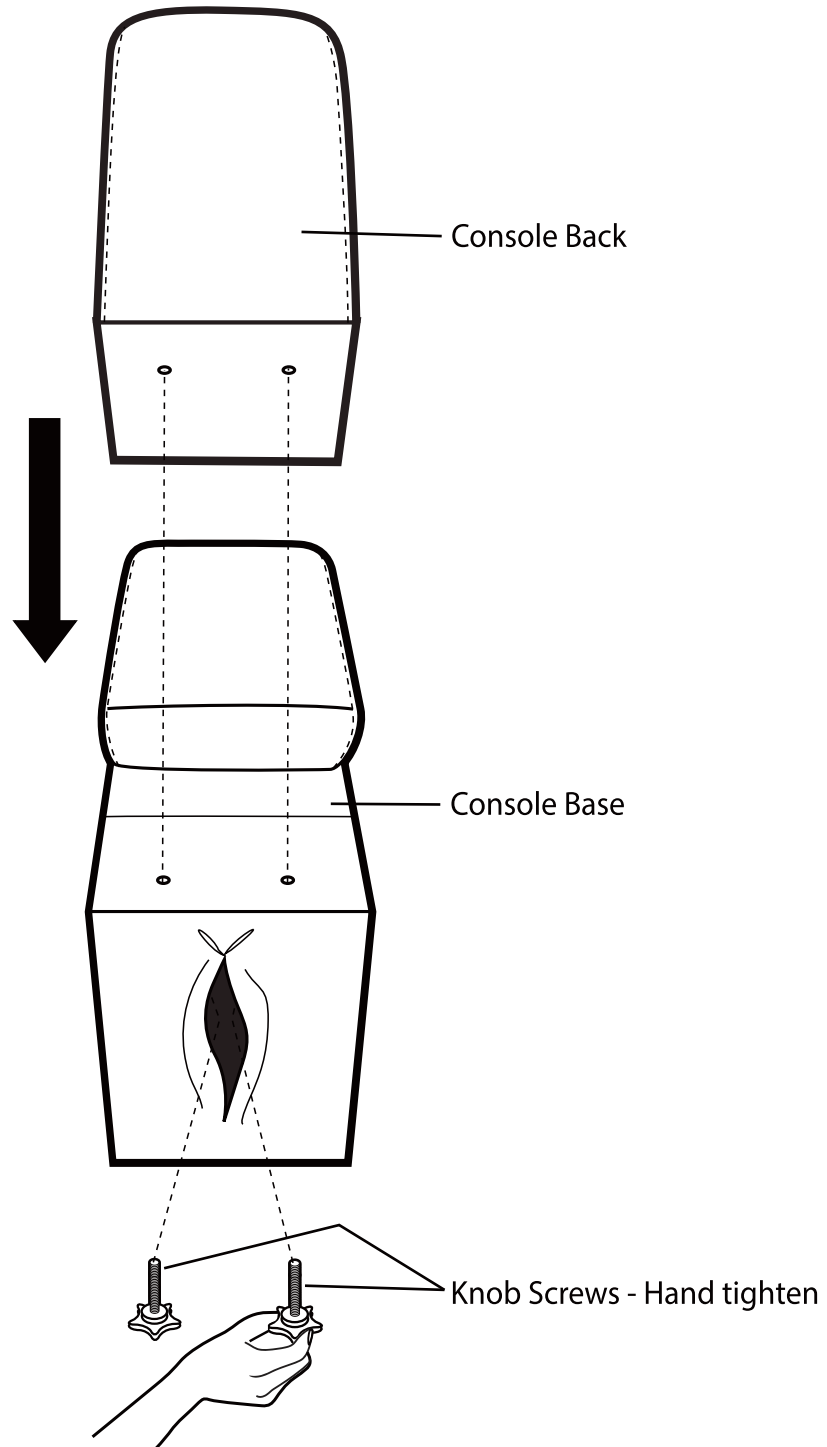
Cheyenne Fabric Reclining Group

A044U-062 057 054 096 055 063-370

ASSEMBLY INSTRUCTIONS

Console back assembly. (Viewed from the back.)

Attach the console back with the 2 knob screws through the console base of the furniture. Tighten with hand firmly.



Cheyenne Fabric Reclining Group

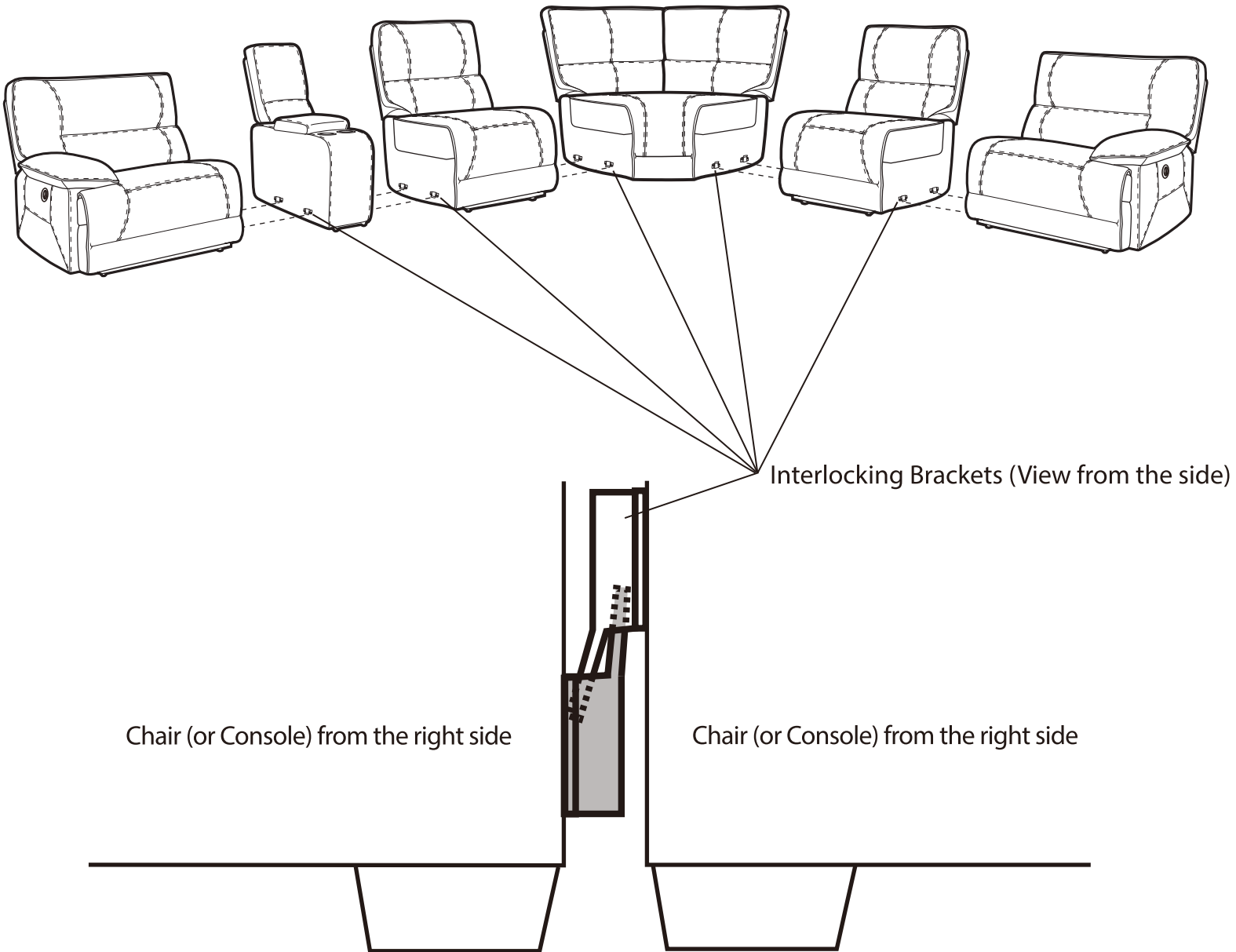
A044U-062 057 054 096 055 063-370

ASSEMBLY INSTRUCTIONS

Attaching the chairs to each other

NOTE: Be sure to position the pieces in the general area for final location before locking the pieces together.

Each chair and the console have interlocking metal brackets located on the side near the bottom. Lift one of the chairs to slide the metal bracket into the corresponding bracket on the next piece. This will lock the sectional together.

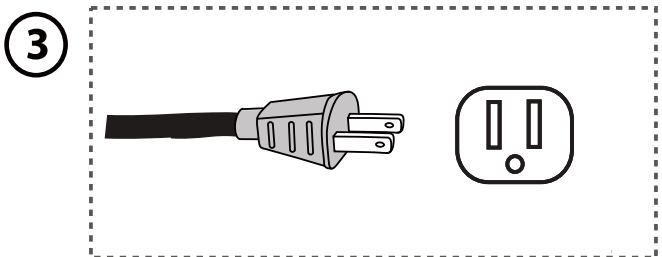
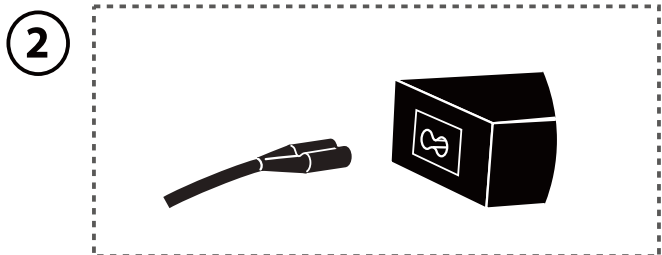
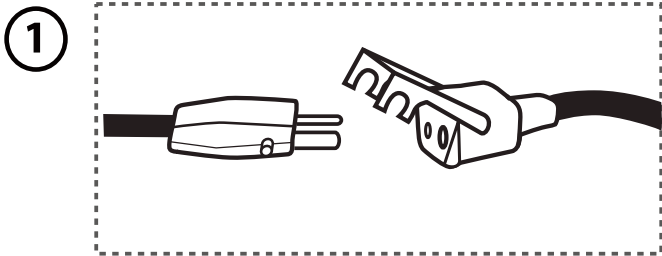


Cheyenne Fabric Reclining Group

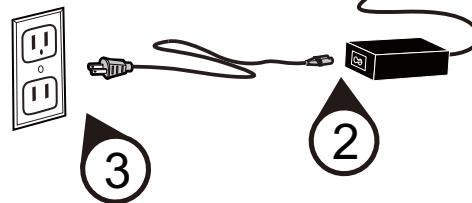
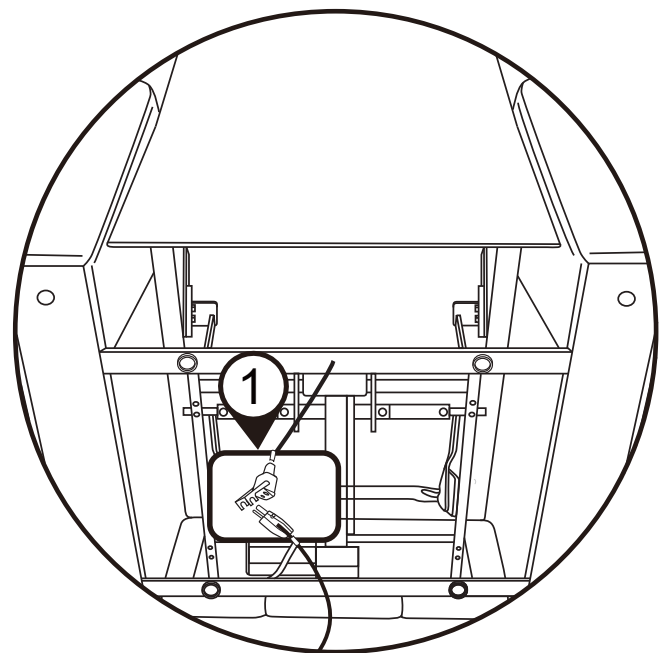
A044U-062 057 054 096 055 063-370

ASSEMBLY INSTRUCTIONS

Electrical Connections for left and right recliners



Tipped on its back
Incliné sur le dos
Inclinado en su espalda



Cheyenne Fabric Reclining Group

A044U-062 057 054 096 055 063-370

ASSEMBLY INSTRUCTIONS

Electrical Connections for left and right recliners

