

PALECEK®

601 PARR BOULEVARD | RICHMOND | CA 94801

FURNITURE ASSEMBLY INSTRUCTIONS

Fraser Dining Table

799579



These instructions are provided for your convenience. It is very important that they are read carefully and completely before beginning installation of this item. Assembly by 2-3 persons recommended.

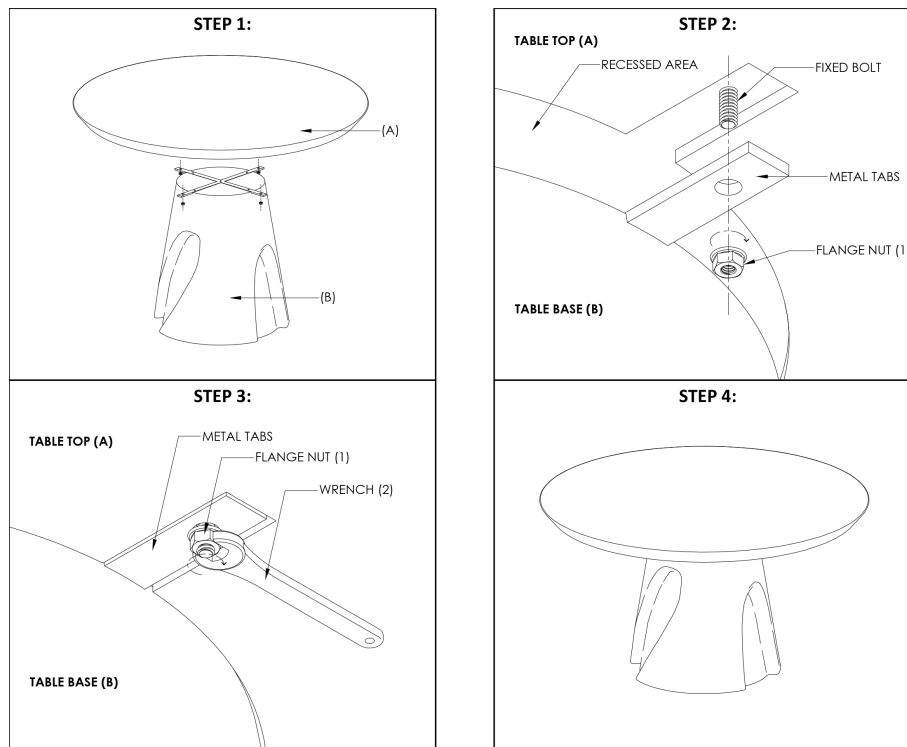
Hardware:

- (1) Flange Nut (4pcs.)
- (2) Wrench

Parts List:

- A) Table Top
- B) Table Base

Tools Needed: Wrench (2), Leveler



Note:

Carefully unpack all Components from the box. Make sure to remove all contents from the box before disposing it.

To Assemble:

1. Place the table base (B) and table top (A) on a protected surface to avoid scratches.
2. Position table top (A) over table base (B) so that recessed areas on the underside of the top align with the metal cleats of the base. Gently set top onto base.
3. Once aligned and in placed, use the wrench (2) provided and turn clockwise to tighten the flange nut (1) into the bolt.
4. Use the adjustable levelers to ensure base does not wobble on uneven floor surface.

Care Instructions: Wipe up spills immediately with a soft, damp cloth. Do not use cleaning solutions or abrasives. Handle with care to avoid breakage.