

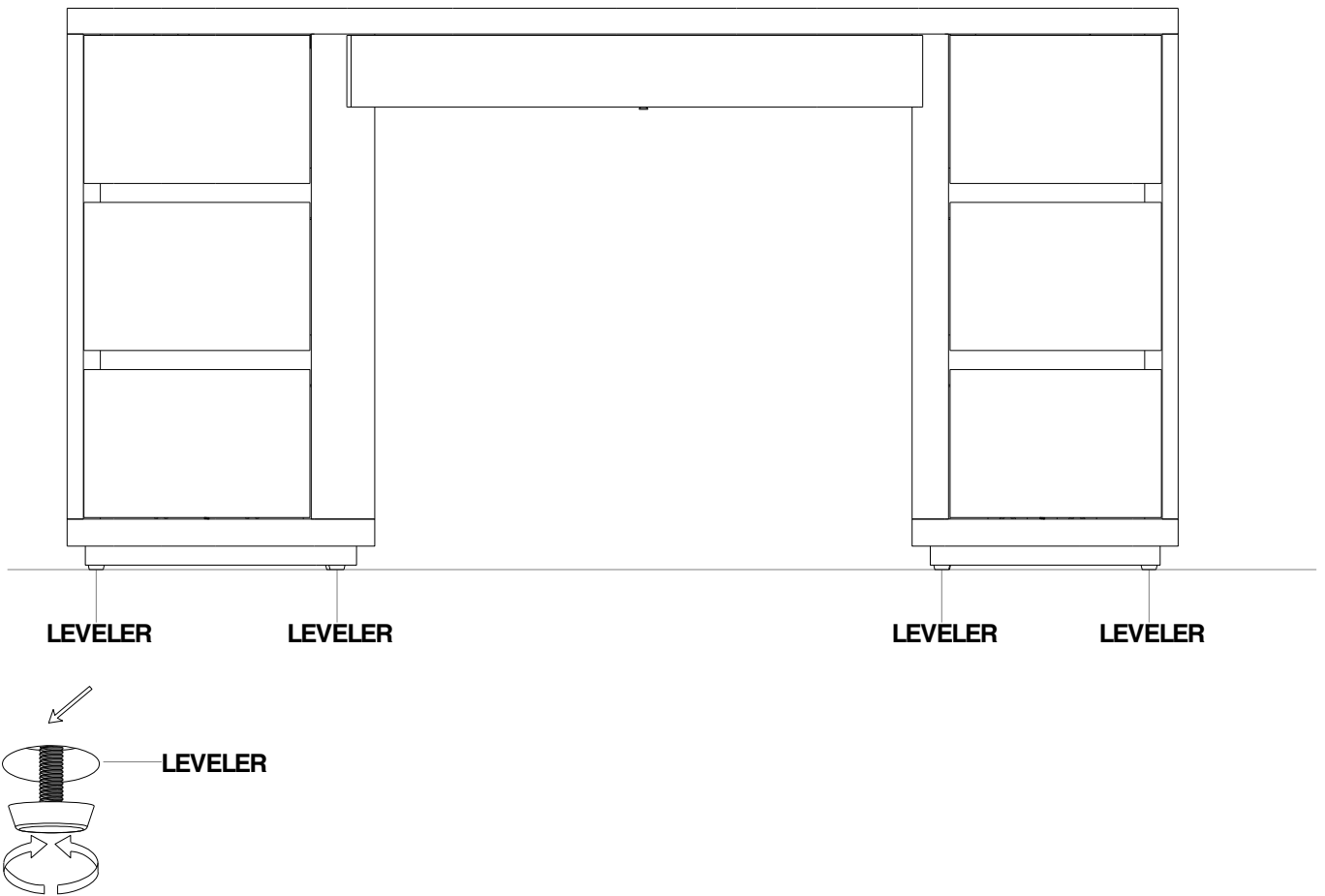
PALECEK

601 PARR BLVD. RICHMOND, CA 94801

785383 - ASSEMBLY INSTRUCTIONS

When the desk is installed in position, the levelers at the bottom of the feet may need adjusting to ensure the desk is level and the drawer line up and function correctly. (FIGURE 1)

Figure 1

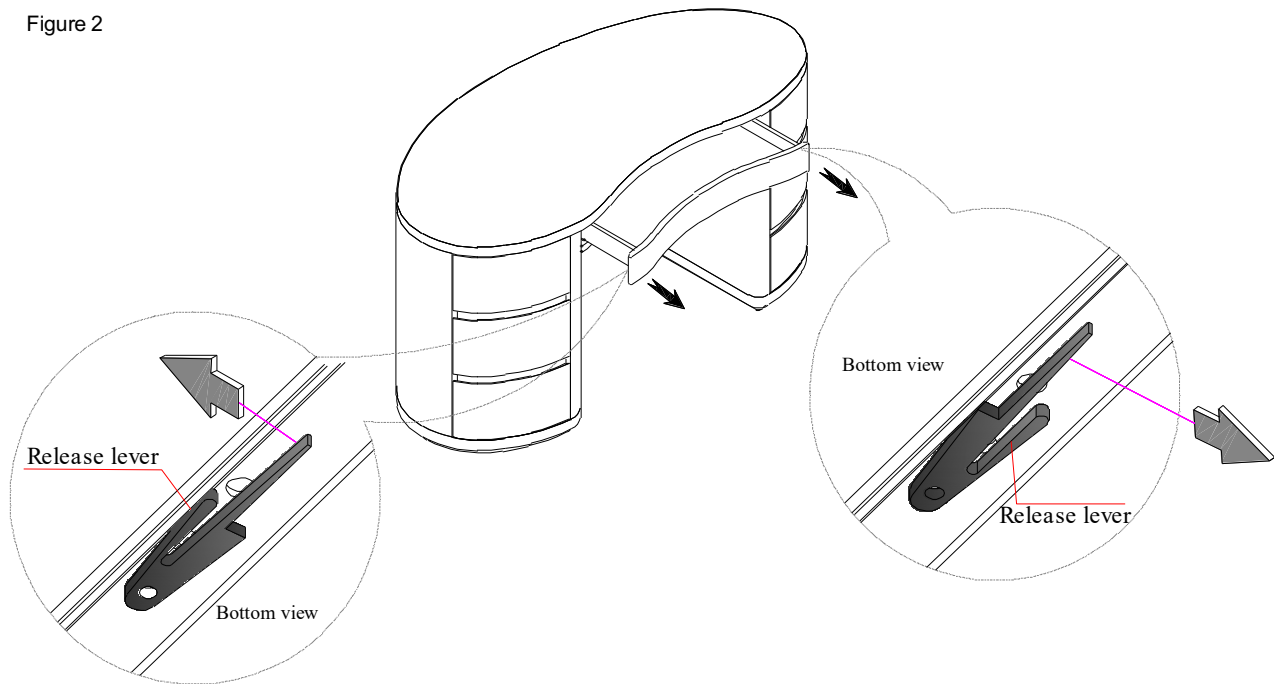


785383 - ASSEMBLY INSTRUCTIONS

DRAWER REMOVAL INSTRUCTION

Located near the center of ball bearing slides, lift the release lever of the right rail up and push the release lever of the left rail down by both your hands simultaneously in order pull drawer out. See detail FIGURE 2.

Figure 2



DRAWER INSTALLATION INSTRUCTION

Assemble the drawer back by aligning the metal slides, make sure that both side are properly aligned then gently push the drawer until it's slightly stopped by the lever. Open and close some time to make sure drawer operates smoothly. See detail FIGURE 3.

Figure 3

