





# PALECEK™

601 PARR BOULEVARD, RICHMOND, CA 94801

## MONTERRA CANOPY BED INSTALLATION INSTRUCTIONS

These instructions are provided for your convenience. It is very important that they are read carefully and completely before beginning assembly of this item. (Applies to items 7797-03, 7802-03)

Hardware List			
Part	Description		Qty
A		THREADED ROD	x10
B		NUT	x10
C		HALF MOON WASHER	x10
D		HEX WRENCH	x1

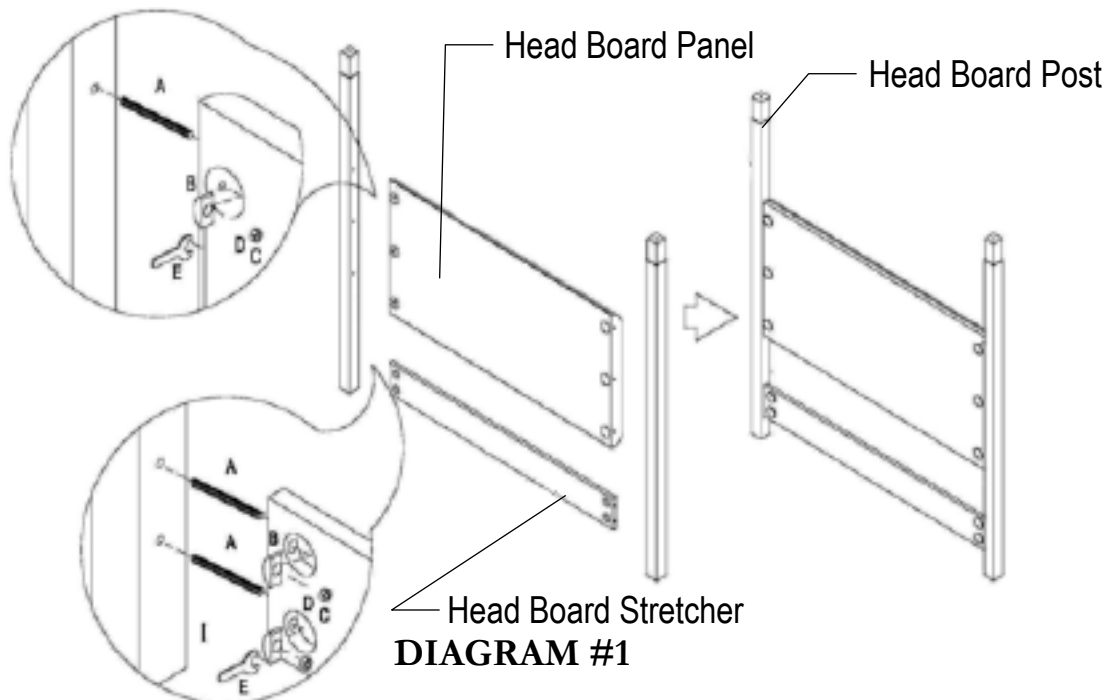


### TOOLS NEEDED:

1. Hex Wrench (Included)

### TO ASSEMBLE HEAD BOARD:

1. Unbox all components onto a non scratching surface.
2. Insert **Threaded Rod (A)** into holes of **Head board Post** as indicated in Diagram 1, ensuring to tighten by hand only.
3. Lay **Headboard posts** with inserted **Threaded Rods** on floor, and gently align **Threaded Rods** with holes in the **Head Board panel** and **Headboard Stretcher**. Bring them together so that **Threaded rods** insert into holes.
4. Insert **Half Moon washers (C)** and **Nuts (B)** over exposed ends of **Threaded Rods** within **Headboard panel** and **Head board stretchers**. Tighten firmly with **Hex Wrench (D)**, but do not over tighten.







# PALECEK™

601 PARR BOULEVARD, RICHMOND, CA 94801

## MONTERRA CANOPY BED INSTALLATION INSTRUCTIONS

These instructions are provided for your convenience. It is very important that they are read carefully and completely before beginning assembly of this item. (Applies to items 7797-03, 7802-03)

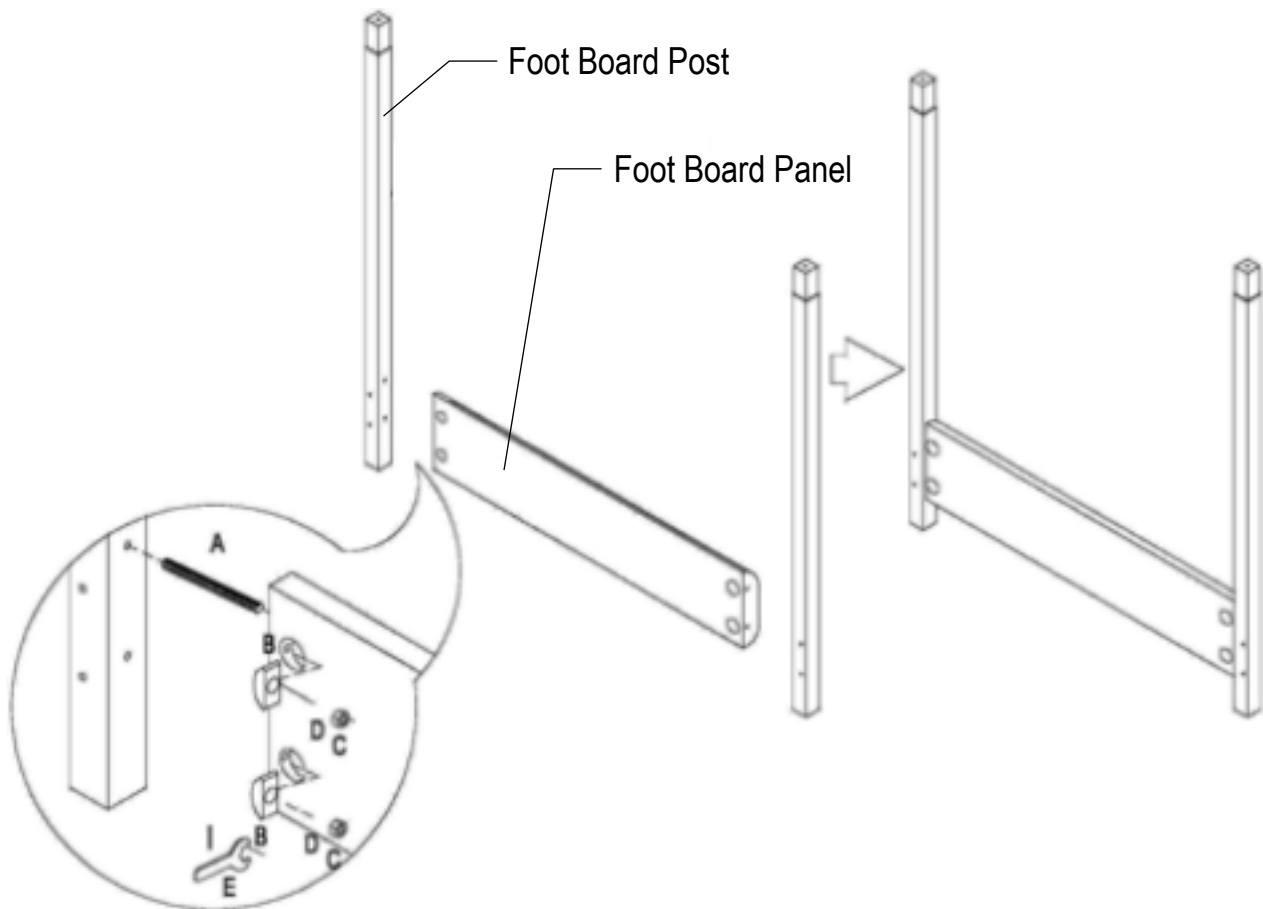
Hardware List		
Part	Description	Qty
A	 THREADED ROD	x4
B	 NUT	x4
C	 HALF MOON WASHER	x4
D	 HEX WRENCH	x1

### TOOLS NEEDED:

1. Hex Wrench (Included)

### TO ASSEMBLE FOOT BOARD:

1. Insert **Threaded Rod (A)** into holes of **Foot board Post** as indicated in Diagram 2, ensuring to tighten by hand only.
2. Lay **Foot board posts** with inserted **Threaded Rods** on floor, and gently align **Threaded Rods** with holes in the **Foot Board panel**. Bring them together so that **Threaded rods** insert into holes.
3. Insert **Half Moon washers (C)** and **Nuts (B)** over exposed ends of **Threaded Rods** within **Foot board panel**. Tighten firmly with **Hex Wrench**, but do not over-tighten.



**DIAGRAM #2**

# PALECEK™

601 PARR BOULEVARD, RICHMOND, CA 94801

## MONTERRA CANOPY BED INSTALLATION INSTRUCTIONS

These instructions are provided for your convenience. It is very important that they are read carefully and completely before beginning installation of this item. (Applies to items 7797-03, 7802-03)

### TOOLS NEEDED:

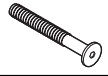
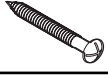
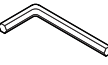
1. Allen Wrench (Included)

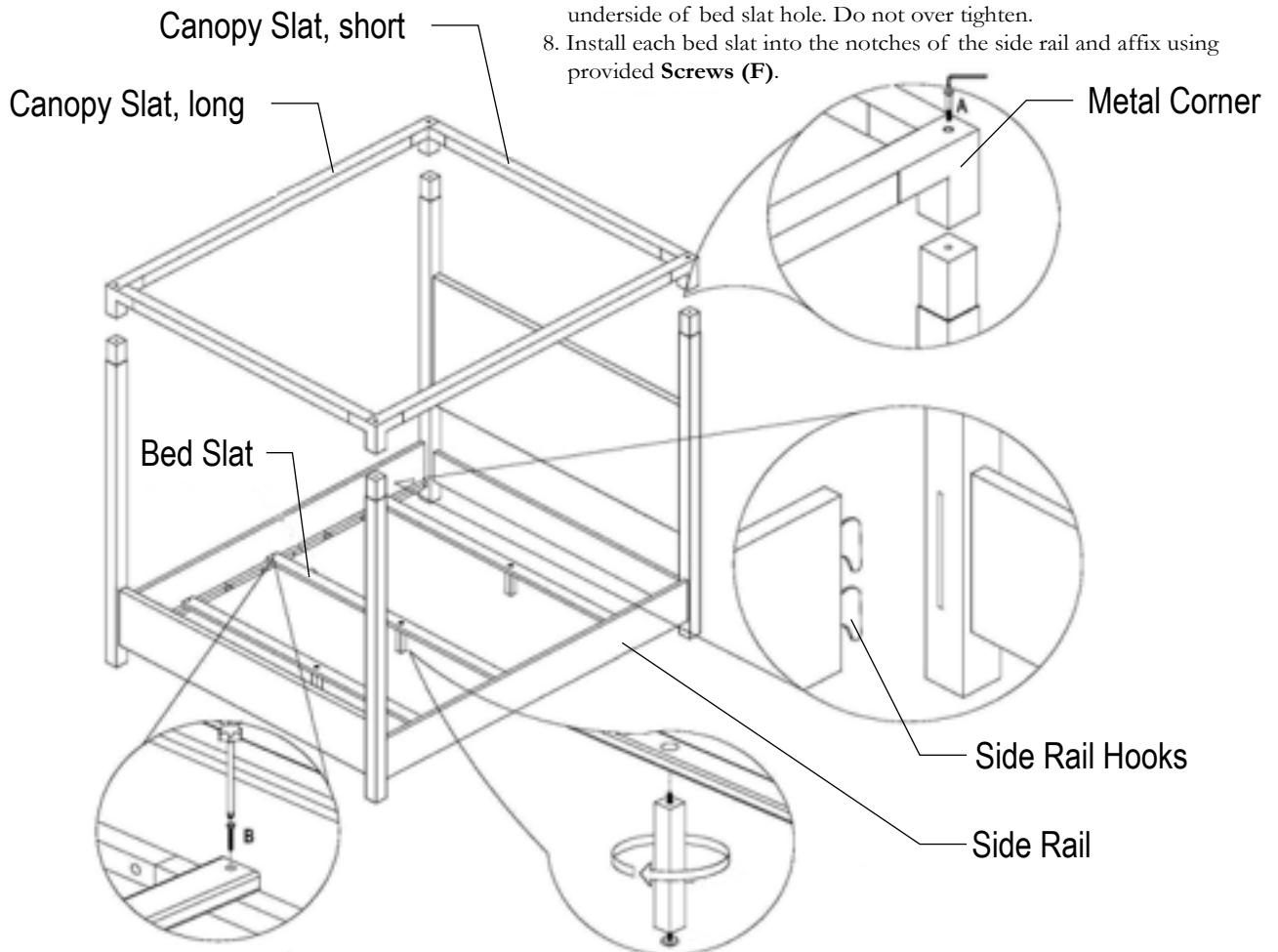
### TO ASSEMBLE SIDE RAILS, CANOPY AND BED SLATS:

1. Align Side Rail hooks with **Head Board Post** slot, insert and push down.
2. Repeat with **Foot Board Posts** until both side rails are installed.
3. Install Metal Corners on top of each post.
4. Install short canopy slats on top of **head board** and **foot board posts**, within metal corners, with notch facing up.
5. Install long canopy slats within metal corners, with notch facing down.
6. Insert **Hex Bolt (E)** into holes at canopy corners and tighten using allen wrench.

Tighten firmly with **Allen Wrench (G)** but do not over tighten.

7. Install bed slat support foot into each bed slat by inserting exposed thread into underside of bed slat hole. Do not over tighten.
8. Install each bed slat into the notches of the side rail and affix using provided **Screws (F)**.

Hardware List		
Part	Description	Qty
E	 HEX BOLT	x4
F	 SCREW	x10
G	 ALLEN WRENCH	x1



**DIAGRAM #3**

### CARE:

Dust with a soft dry cloth. Do not use cleaning solutions or abrasives.

T. 800.274.7730 | F. 510.234.7234

PALECEK.COM